

**Job Name: 25-2797 - US 31 W & Marlin RD Improvements**  
**Job Location: White House, TN**  
**Contractor: Scotty's Contracting & Stone, LLC**

PC: C. Goff  
 TECH: J. Coppage  
 Plant: Beaver Dam



Structure ID: **CB3**  
 Spec: TDOT  
 Type: CB TYPE 12RA  
 Size: 48"

Rim: 886.7'  
 Invert: 879.35'  
 Rim to Invert: 7.35'

Sump: 3"  
 Floor (Top): 879.1'  
 Floor Height: 6"

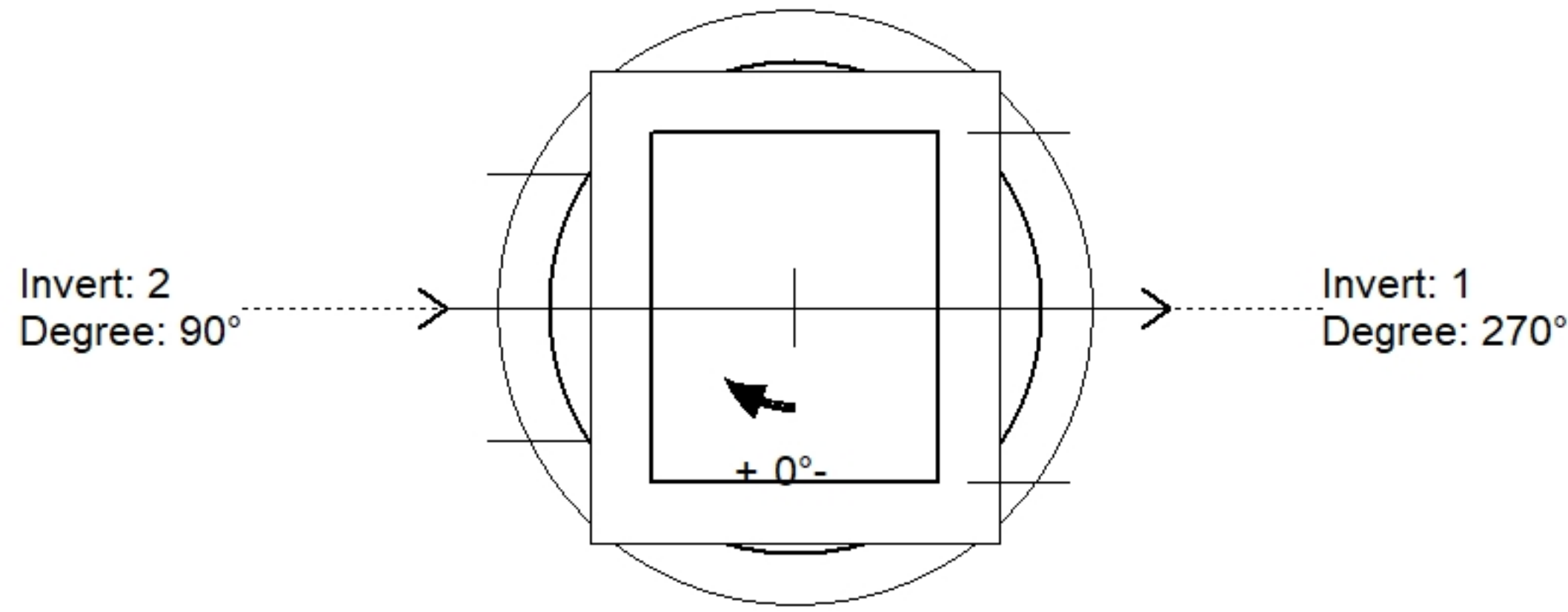
Floor (Bot): 878.6'  
 Overall Height: 8.083'  
 Slack: 0.2"

**Structure Notes:**

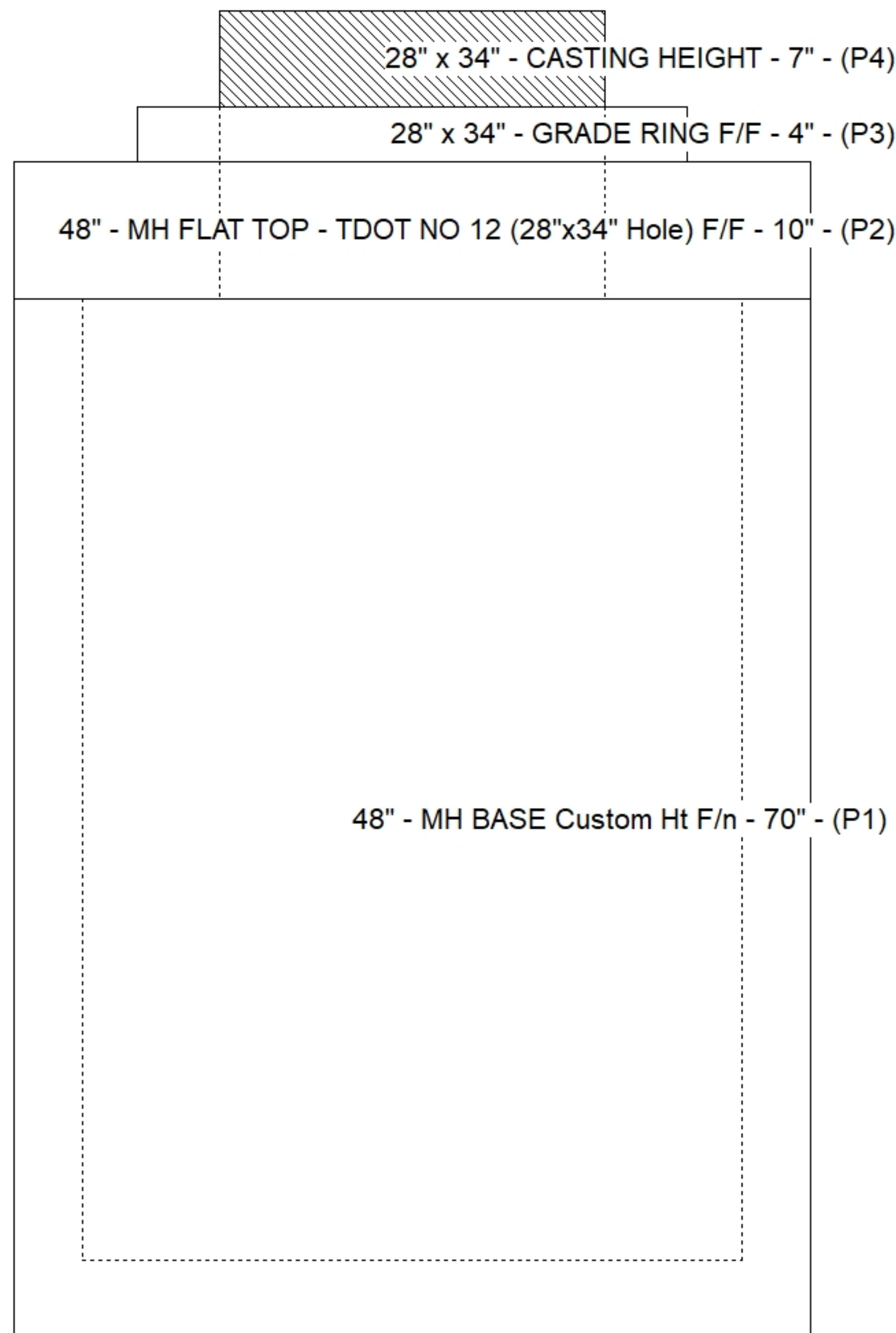
1. JBS-3123 MOD. PROVIDED BY ICAST
  2. PER TDOT D-CB-12RA / ASTM C478 SPEC'S.
  3. CONCRETE = 4,000 PSI AT 28 DAYS.
  4. REINFORCING PER ASTM A615 (GRADE 60).
- \*\* PER TDOT STD DRAWING D-CB-12RA \*\*
- TOP SLAB - DBL MAT #5 BARS.
  - RISER (As .24)
  - FLOOR (As .62) #5 BARS AT 6" C.C.E.W.

**STRUCTURE SUMMARY:**

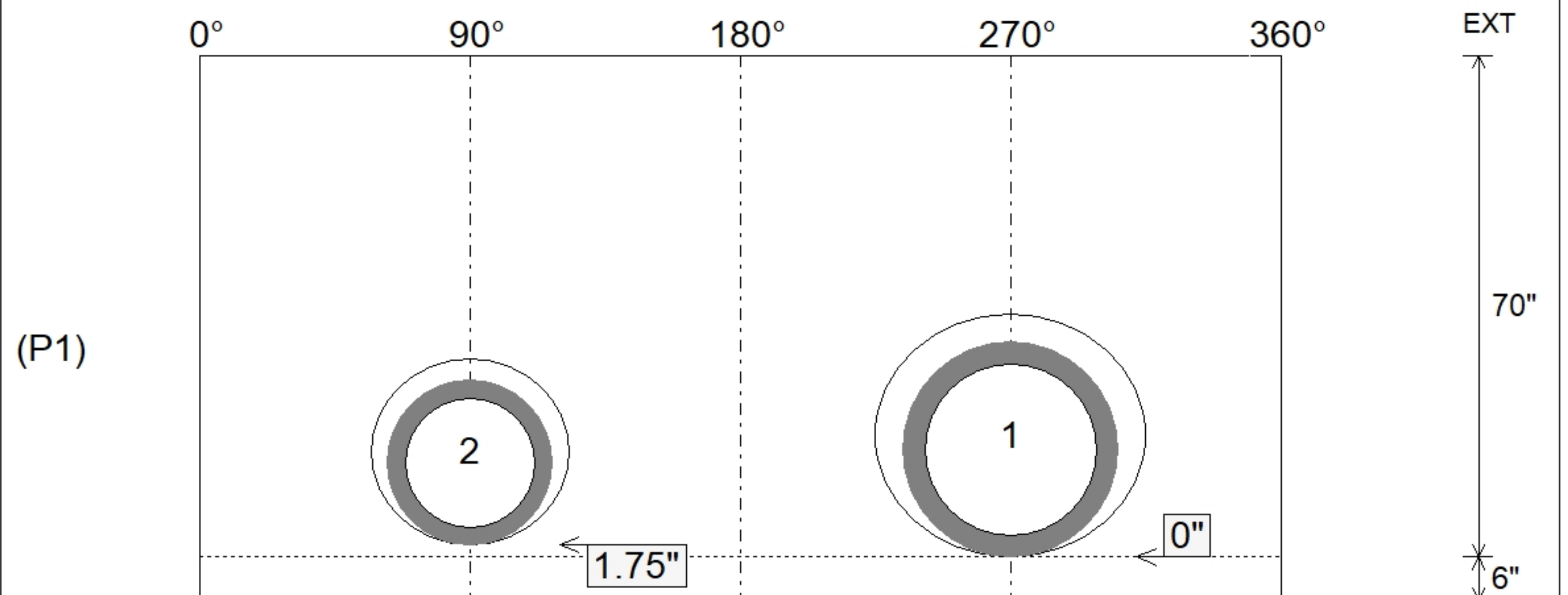
P4) 28" x 34" - CASTING HEIGHT - 7"	0 lb
P3) 28" x 34" - GRADE RING F/F - 4"	298 lb
P2) 48" - MH FLAT TOP - TDOT NO 12 (28"x34" Hole) F/F - 10"	1497 lb
P1) 48" - MH BASE Custom Ht F/n - 70"	5572 lb
1) 48" - SGL 1"x14.5' Butyl (2x)	0 lb
1) Hole - 34	0 lb
1) Hole - 26	0 lb
<b>Structure Total:</b>	<b>7367 lb</b>



Position	Elev	Angle	Pipe	Pipe OD	Hole	Connector	Up (")	Ref
Rim	886.7'							
Reducer								
Invert 1	879.35'	270°	24" RCP B WALL	30"	34"	Hole 34	0"	P1
Invert 2	879.45'	90°	18" RCP B WALL	23"	26"	Hole 26	1.75"	P1
Invert 3								
Invert 4								
Invert 5								
Invert 6								
Invert 7								
Invert 8								



**Cast (Int. Dim.) - Interior Dimensions**



Submittal Drawing  
 10/10/2025 3:59:49 PM

SUBMITTAL  
 APPROVED BY: