

Structure ID: CB3

P1 MH048BAVF

MH BASE Custom Ht F/n

P4) 28" x 34" - CASTING HEIGHT - 7" P3) 28" x 34" - GRADE RING F/F - 4" P2) 48" - MH FLAT TOP - TDOT NO 12 (28"x34" Hole) F/F - 10" P1) 48" - MH BASE Custom Ht F/n - 70" 1) 48" - SGL 1"x14.5' Butyl (2x) 1) Hole - 34 1) Hole - 26	0 lb 298 lb 1497 lb 5572 lb 0 lb 0 lb 0 lb ----- Structure Total: 7367 lb
--	---

Structure Notes:

1. JBS-3123 MOD. PROVIDED BY ICAST
2. PER TDOT D-CB-12RA / ASTM C478 SPEC'S.
3. CONCRETE = 4,000 PSI AT 28 DAYS.
4. REINFORCING PER ASTM A615 (GRADE 60).

**** PER TDOT STD DRAWING D-CB-12RA ****

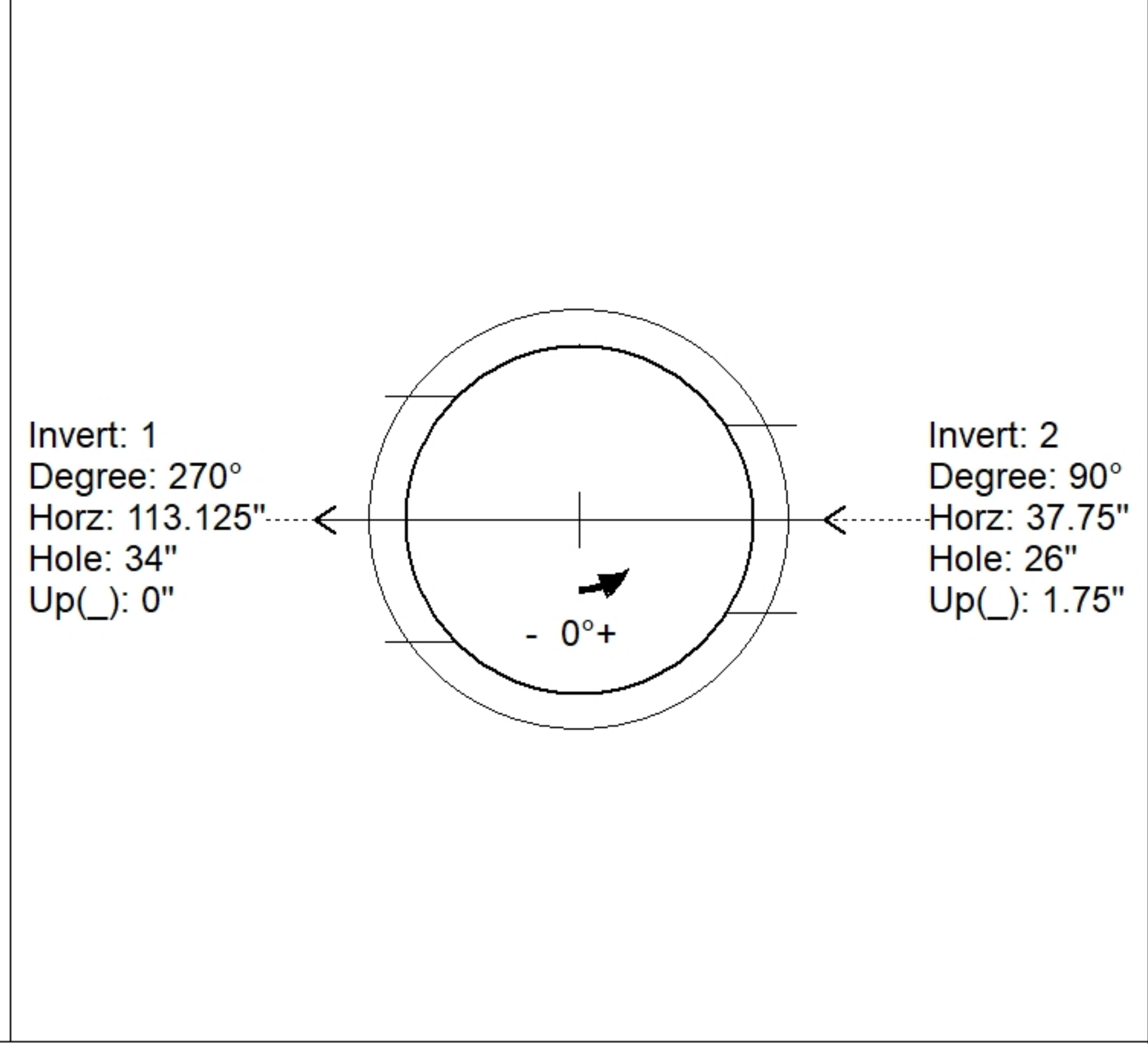
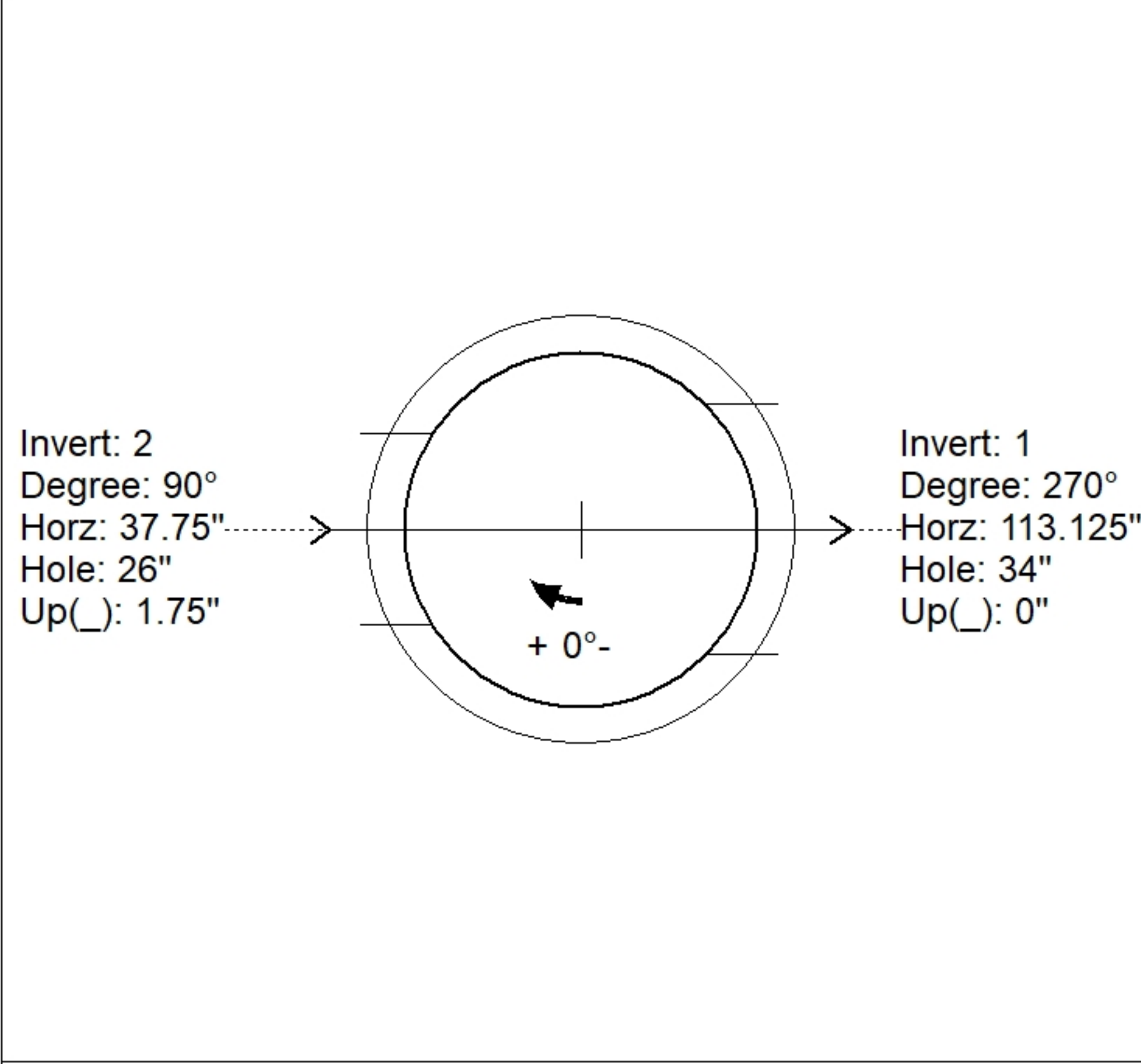
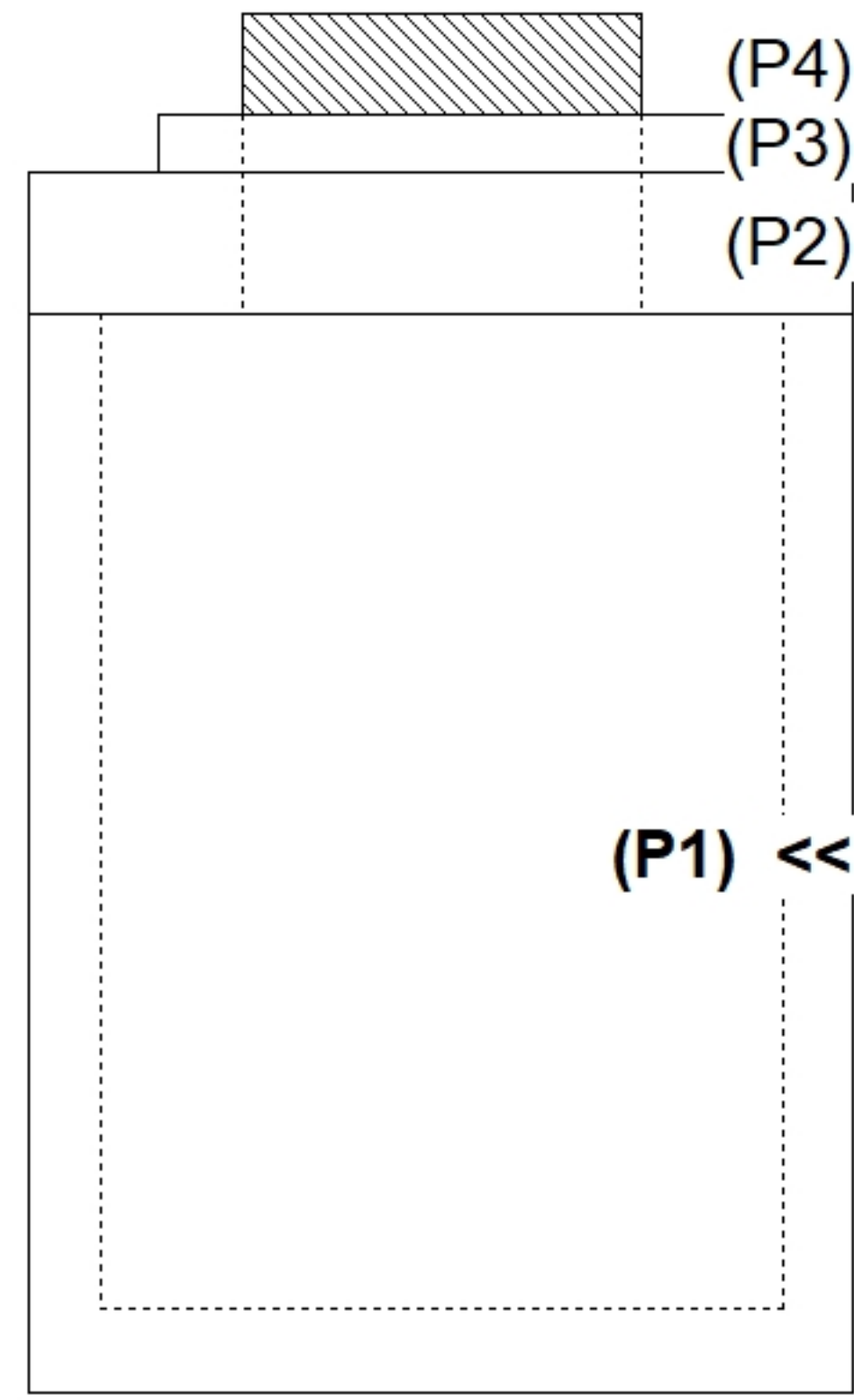
- TOP SLAB - DBL MAT #5 BARS.
- RISER (As .24)
- FLOOR (As .62) #5 BARS AT 6" C.C.E.W.

Rim: 886.7' Rim to Invert: 7.35' Slack: 0.2" Sump: 3" Step Position:

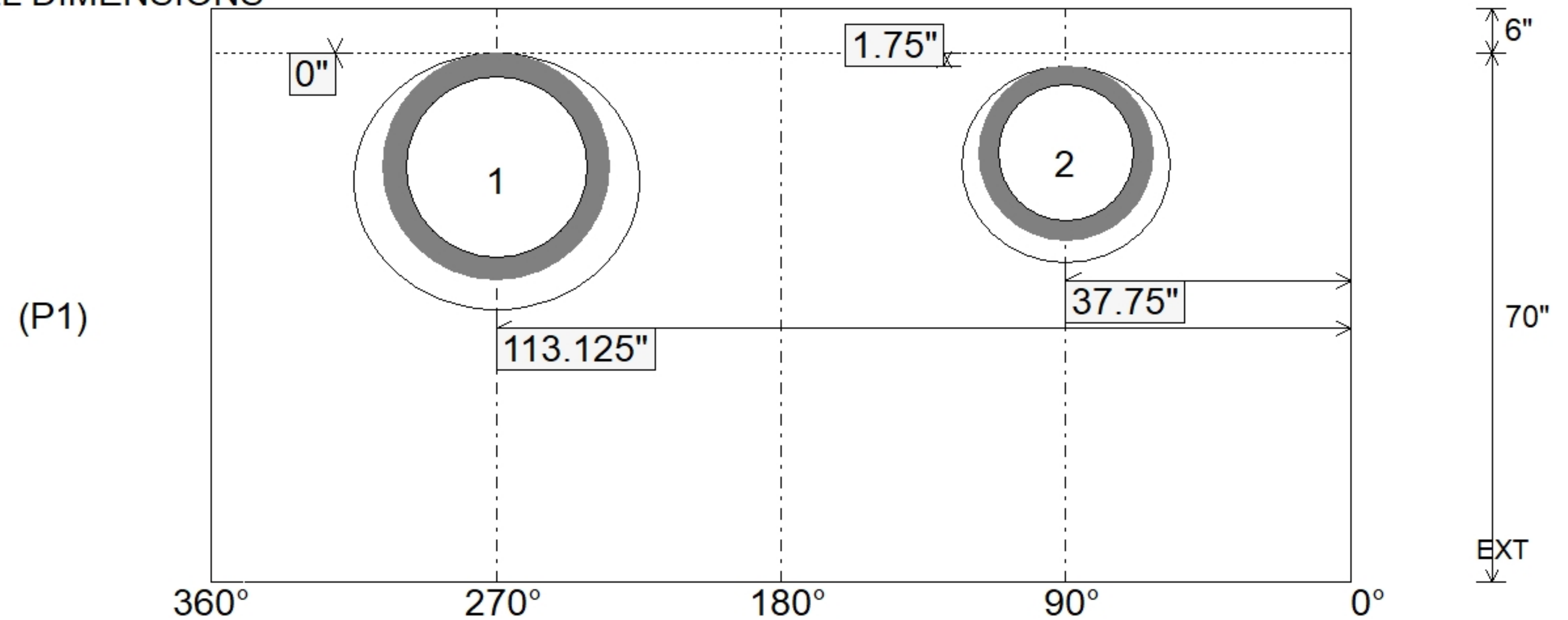
Position	Elev	Angle	Ext. (cw)	Pipe	Pipe OD	Connector	Hole	Horz Size	Up ()	Offset
Invert 1	879.35'	270°	136.625"	24" RCP B WALL	30"	Hole 34	34"	37.782"	0"	0"
Invert 2	879.45'	90°	45.5"	18" RCP B WALL	23"	Hole 26	26"	27.476"	1.75"	0"
Invert 3										
Invert 4										
Invert 5										
Invert 6										
Invert 7										
Invert 8										

RIGHT-SIDE UP VIEW (int. dimensions)

UPSIDE-DOWN VIEW (int. dimensions)



INSIDE WALL DIMENSIONS



Coating (Int): Coating (Ext):	Seam Up: Flat Seam Dn: n/a	Wall Thickness: 5" Floor Height: 6"	Height (Int): 70" Height (Ext): 76"	Weight (Net): 5572 lb Volume (Net): 1.42cu.yd
----------------------------------	-------------------------------	--	--	--