

Job Name: 25-2797 - US 31 W & Marlin RD Improvements

Job Location: White House, TN

Contractor: Scotty's Contracting & Stone, LLC

PC: C. Goff

TECH: J. Coppage

Plant: Beaver Dam



Structure ID: CB2

Spec: TDOT

Type: CB TYPE 12RA

Size: 48"

Rim: 885.12'

Invert: 878.7'

Rim to Invert: 6.42'

Sump: 3"

Floor (Top): 878.45'

Floor Height: 6"

Floor (Bot): 877.95'

Overall Height: 7.167'

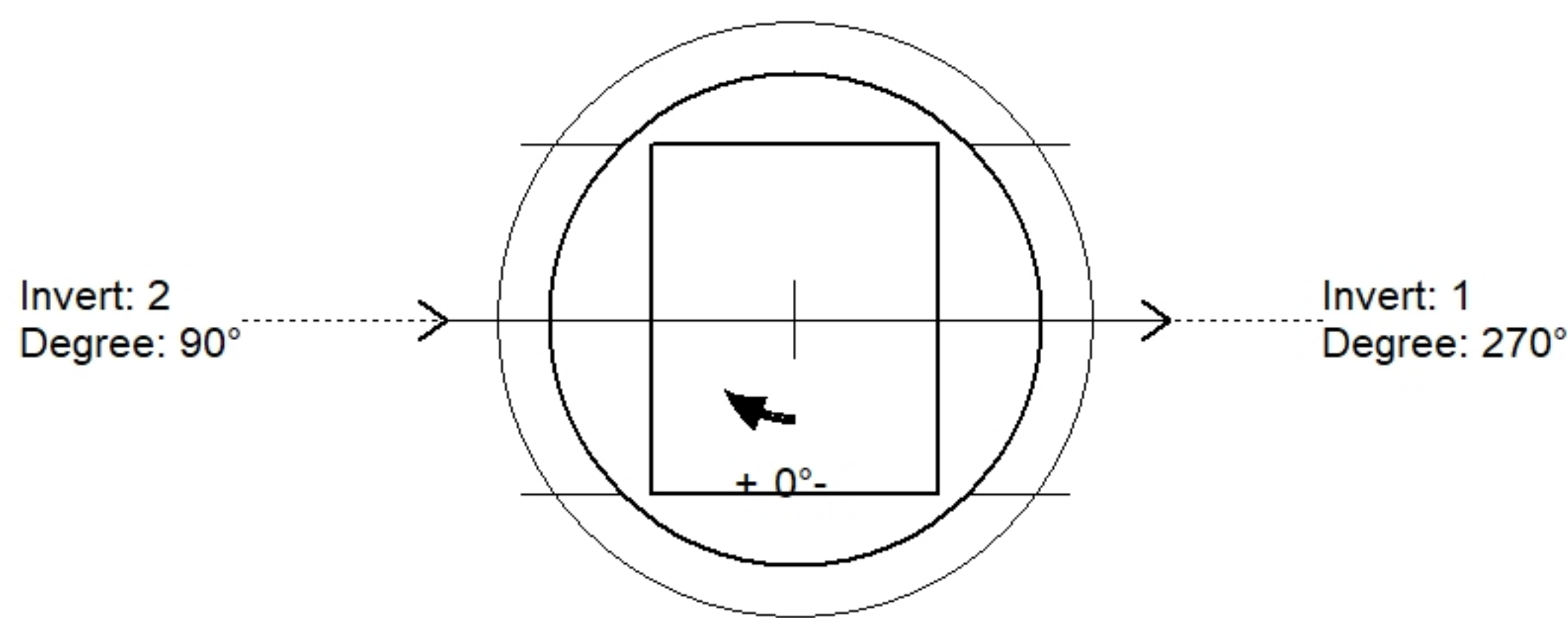
Slack: 0.04"

Structure Notes:

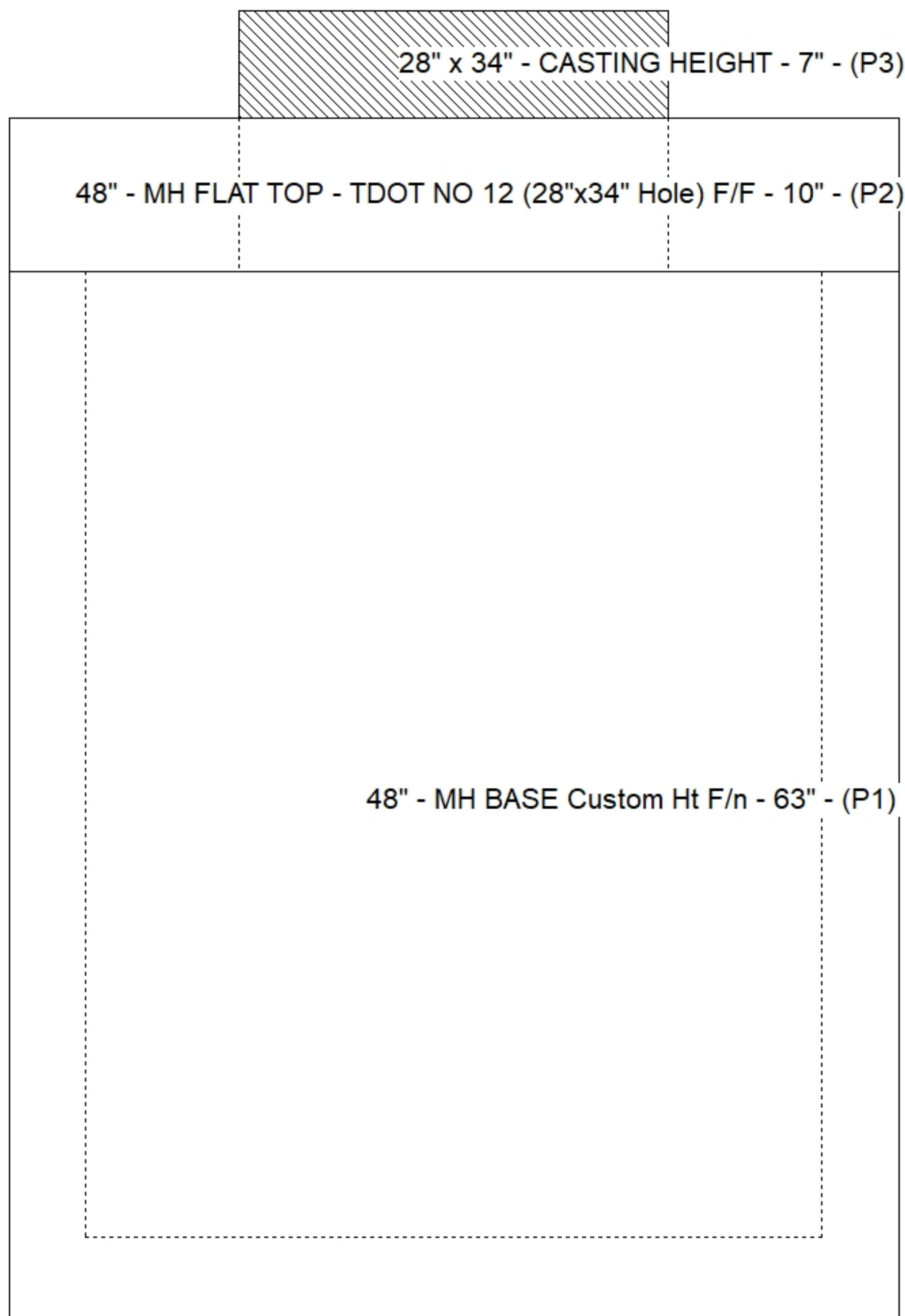
- 1. JBS-3123 MOD. PROVIDED BY ICAST
- 2. PER TDOT D-CB-12RA / ASTM C478 SPEC'S.
- 3. CONCRETE = 4,000 PSI AT 28 DAYS.
- 4. REINFORCING PER ASTM A615 (GRADE 60).
- ** PER TDOT STD DRAWING D-CB-12RA **
- TOP SLAB - DBL MAT #5 BARS.
- RISER (As .24)
- FLOOR (As .62) #5 BARS AT 6" C.C.E.W.

STRUCTURE SUMMARY:

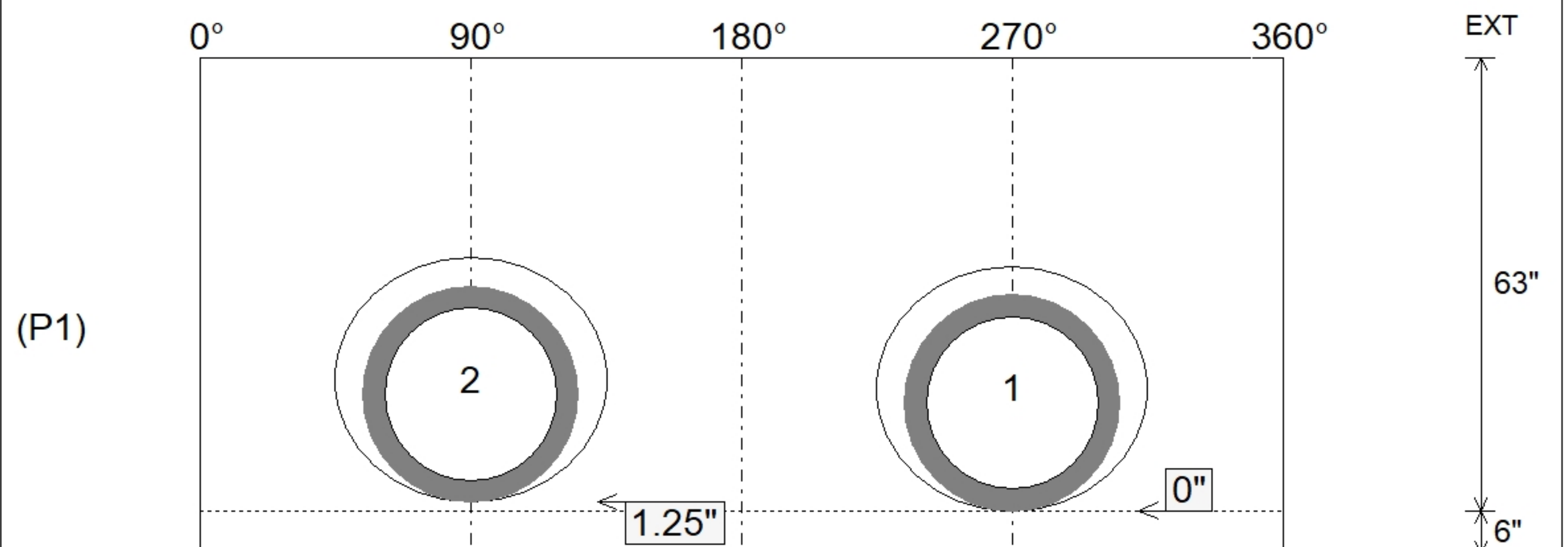
P3) 28" x 34" - CASTING HEIGHT - 7"	0 lb
P2) 48" - MH FLAT TOP - TDOT NO 12 (28"x34" Hole) F/F - 10"	1497 lb
P1) 48" - MH BASE Custom Ht F/n - 63"	4901 lb
1) 48" - SGL 1"x14.5' Butyl (2x)	0 lb
2) Hole - 34	0 lb
Structure Total:	6398 lb



Position	Elev	Angle	Pipe	Pipe OD	Hole	Connector	Up ()	Ref
Rim	885.12'							
Reducer								
Invert 1	878.7'	270°	24" RCP B WALL	30"	34"	Hole 34	0"	P1
Invert 2	878.8'	90°	24" RCP B WALL	30"	34"	Hole 34	1.25"	P1
Invert 3								
Invert 4								
Invert 5								
Invert 6								
Invert 7								
Invert 8								



Cast (Int. Dim.) - Interior Dimensions



Submittal Drawing
10/10/2025 3:59:48 PM

SUBMITTAL
APPROVED BY: