

Job Name: 25-2797 - US 31 W & Marlin RD Improvements	Plant: Beaver Dam	Tech: J. Coppage	
Job Location: White House, TN Contractor: Scotty's Contracting & Stone, LLC	10/10/2025 4:00:53 PM	PC: C. Goff	

**Structure ID: CB2**

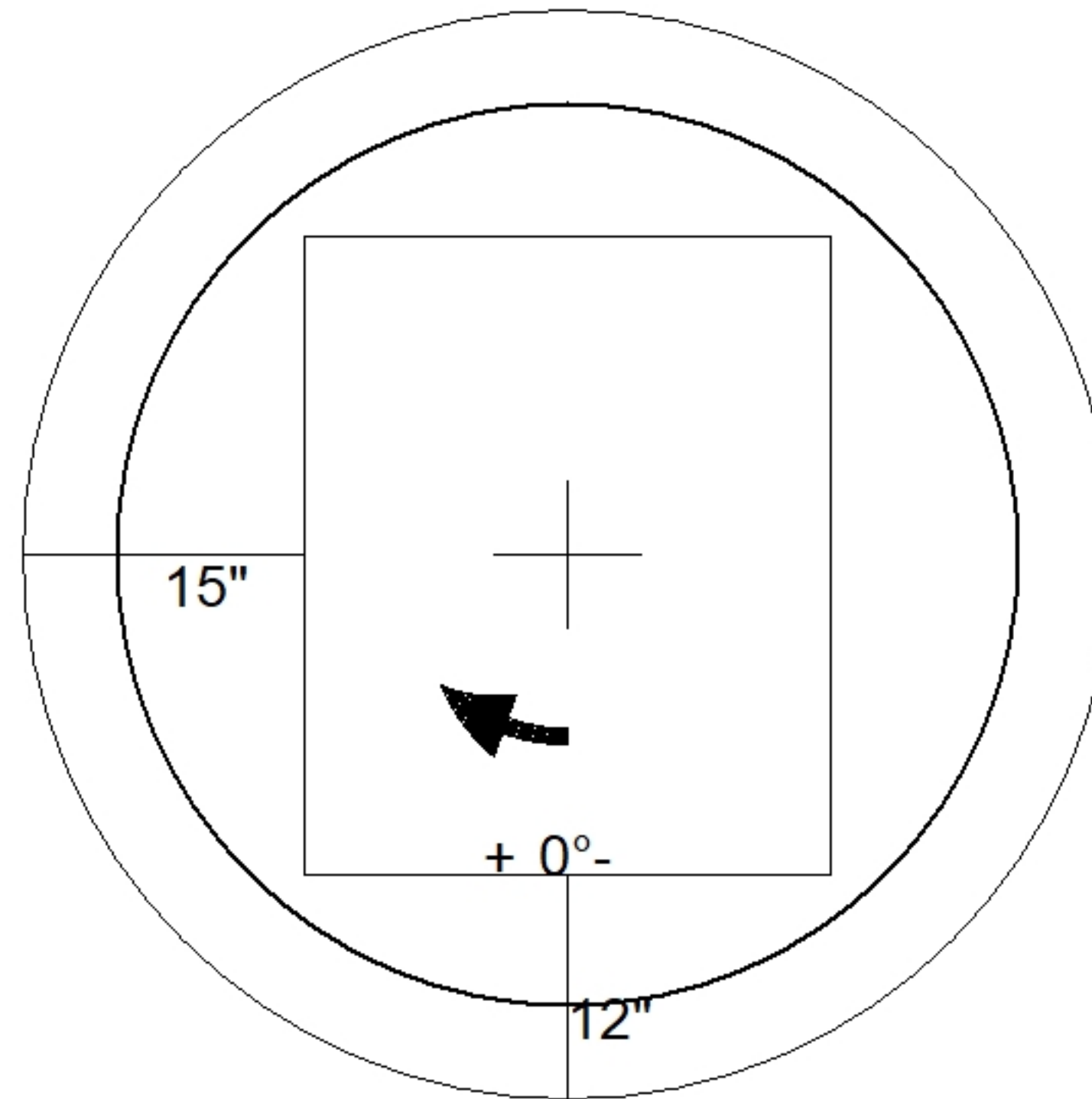
**P2 MH048LD10SP**

**MH FLAT TOP - TDOT NO 12 (28"x34" Hole) F/F**

- P3) 28" x 34" - CASTING HEIGHT - 7"
- P2) 48" - MH FLAT TOP - TDOT NO 12 (28"x34" Hole) F/F - 10"
- P1) 48" - MH BASE Custom Ht F/n - 63"
- 1) 48" - SGL 1"x14.5' Butyl (2x)
- 2) Hole - 34

	0 lb
	1497 lb
	4901 lb
	0 lb
	0 lb
Structure Total:	----- 6398 lb

- Structure Notes:
1. JBS-3123 MOD. PROVIDED BY ICAST
  2. PER TDOT D-CB-12RA / ASTM C478 SPEC'S.
  3. CONCRETE = 4,000 PSI AT 28 DAYS.
  4. REINFORCING PER ASTM A615 (GRADE 60).
- \*\* PER TDOT STD DRAWING D-CB-12RA \*\*
- TOP SLAB - DBL MAT #5 BARS.
  - RISER (As .24)
  - FLOOR (As .62) #5 BARS AT 6" C.C.E.W.



48" - MH FLAT TOP - TDOT NO 12 (28"x34" Hole) F/F - 10" - (P2)

Coating (Int): Coating (Ext):	Seam Up: Flat Seam Dn: Flat	Wall Thickness: 5"	Height (Ext): 10"	Weight (Net): 1497 lb Volume (Net): 0.38cu.yd
----------------------------------	--------------------------------	--------------------	-------------------	--