

**Structure ID: CB2**  
**P1 MH048BAVF**

**MH BASE Custom Ht F/n**

P3) 28" x 34" - CASTING HEIGHT - 7" P2) 48" - MH FLAT TOP - TDOT NO 12 (28"x34" Hole) F/F - 10" P1) 48" - MH BASE Custom Ht F/n - 63" 1) 48" - SGL 1"x14.5' Butyl (2x) 2) Hole - 34	0 lb 1497 lb 4901 lb 0 lb 0 lb ----- Structure Total: 6398 lb
---	---

**Structure Notes:**

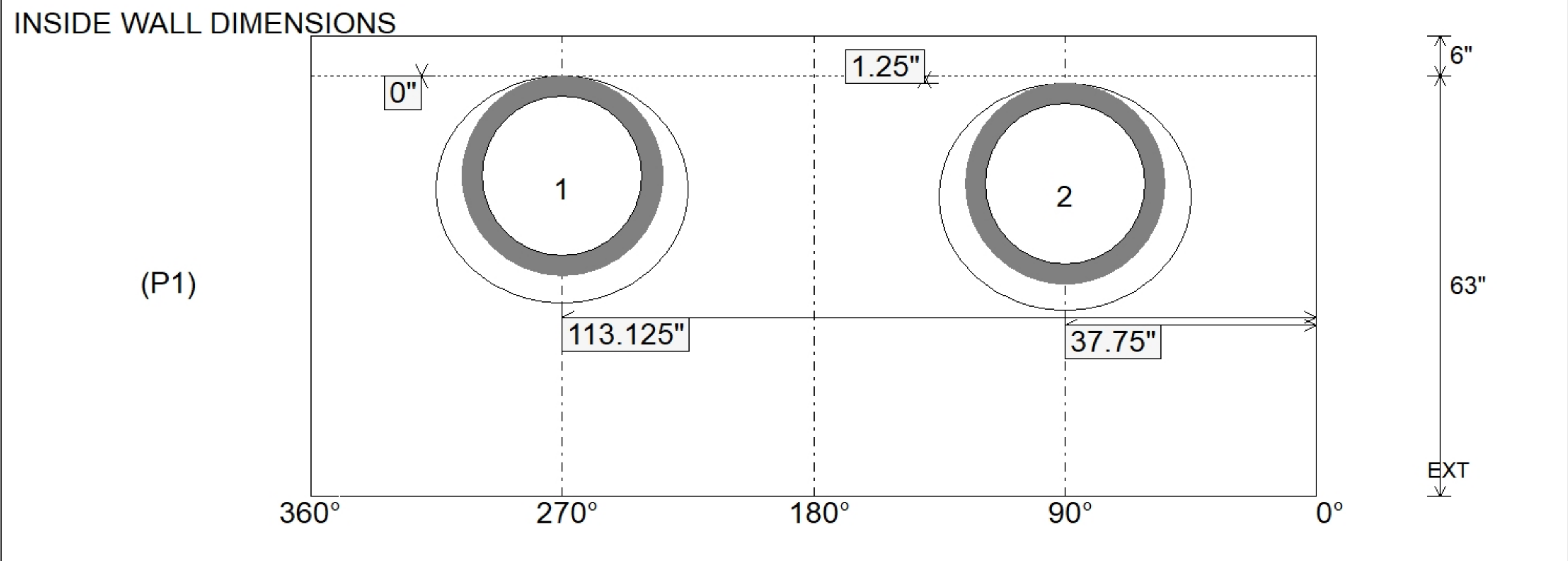
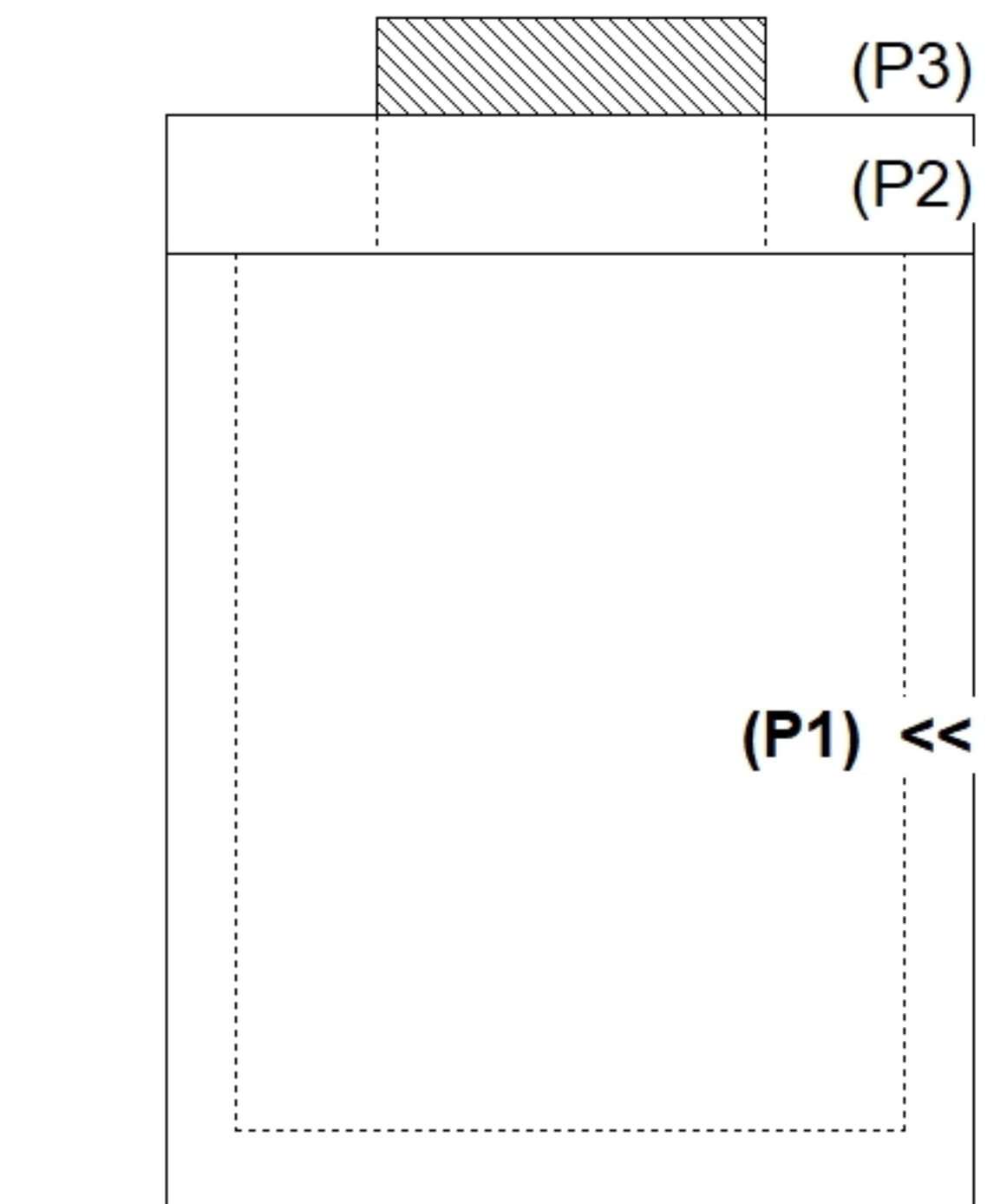
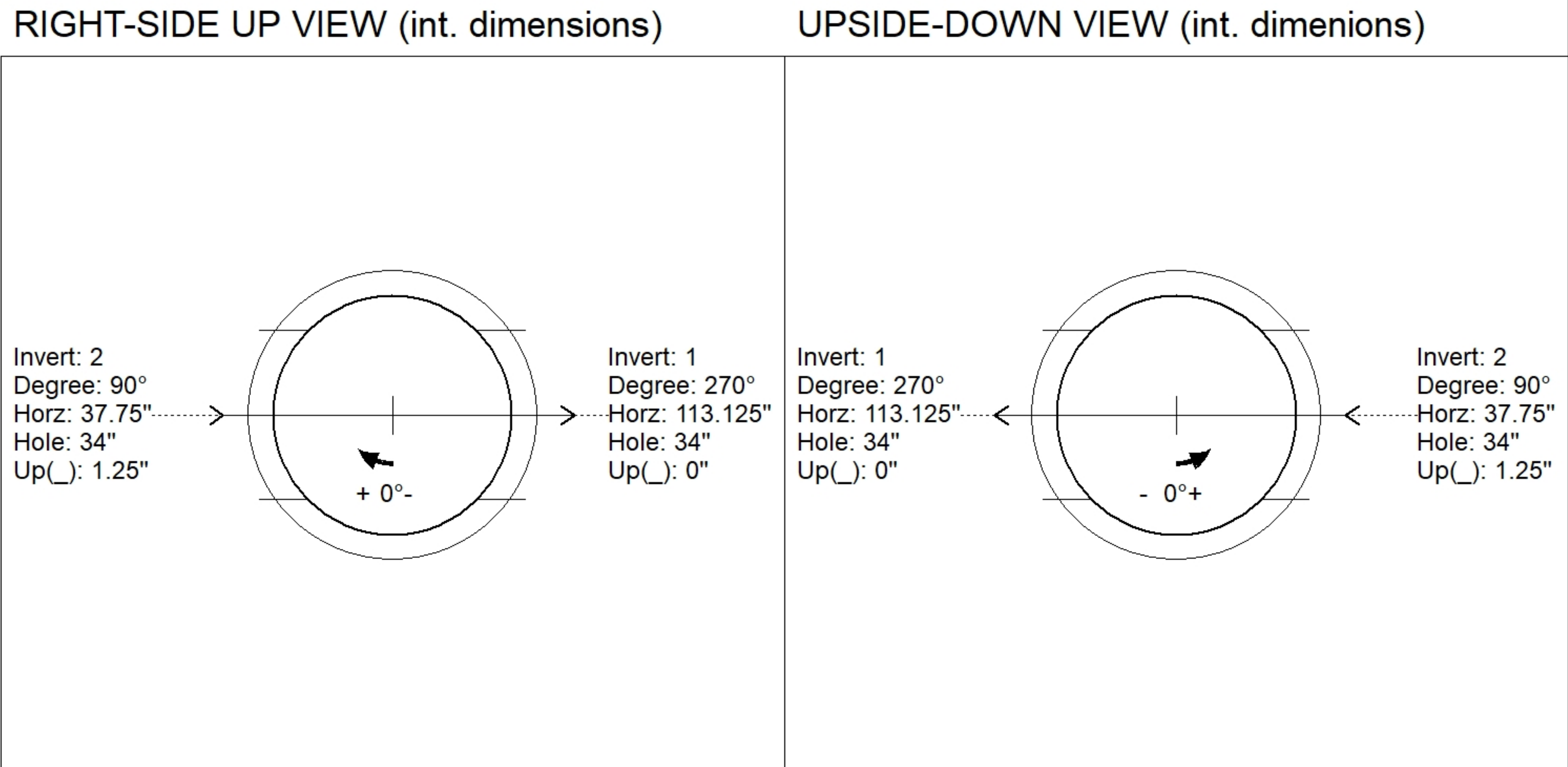
1. JBS-3123 MOD. PROVIDED BY ICAST
2. PER TDOT D-CB-12RA / ASTM C478 SPEC'S.
3. CONCRETE = 4,000 PSI AT 28 DAYS.
4. REINFORCING PER ASTM A615 (GRADE 60).

**\*\* PER TDOT STD DRAWING D-CB-12RA \*\***

- TOP SLAB - DBL MAT #5 BARS.
- RISER (As .24)
- FLOOR (As .62) #5 BARS AT 6" C.C.E.W.

Rim: 885.12'    Rim to Invert: 6.42'    Slack: 0.04"    Sump: 3"    Step Position:

Position	Elev	Angle	Ext. (cw)	Pipe	Pipe OD	Connector	Hole	Horz Size	Up ( )	Offset
Invert 1	878.7'	270°	136.625"	24" RCP B WALL	30"	Hole 34	34"	37.782"	0"	0"
Invert 2	878.8'	90°	45.5"	24" RCP B WALL	30"	Hole 34	34"	37.782"	1.25"	0"
Invert 3										
Invert 4										
Invert 5										
Invert 6										
Invert 7										
Invert 8										



Coating (Int):	Seam Up: Flat Seam Dn: n/a	Wall Thickness: 5" Floor Height: 6"	Height (Int): 63" Height (Ext): 69"
Coating (Ext):			Weight (Net): 4901 lb Volume (Net): 1.25cu.yd