

Job Name: 25-2797 - US 31 W & Marlin RD Improvements

Job Location: White House, TN

Contractor: Scotty's Contracting & Stone, LLC

PC: C. Goff

TECH: J. Coppage

Plant: Beaver Dam



Structure ID: **AD4**

Spec: TDOT

Type: CB TYPE 42RB

Size: 60"

Rim: 886.2'

Invert: 879.6'

Rim to Invert: 6.6'

Sump: 2.5"

Floor (Top): 879.392'

Floor Height: 8"

Floor (Bot): 878.725'

Overall Height: 7.417'

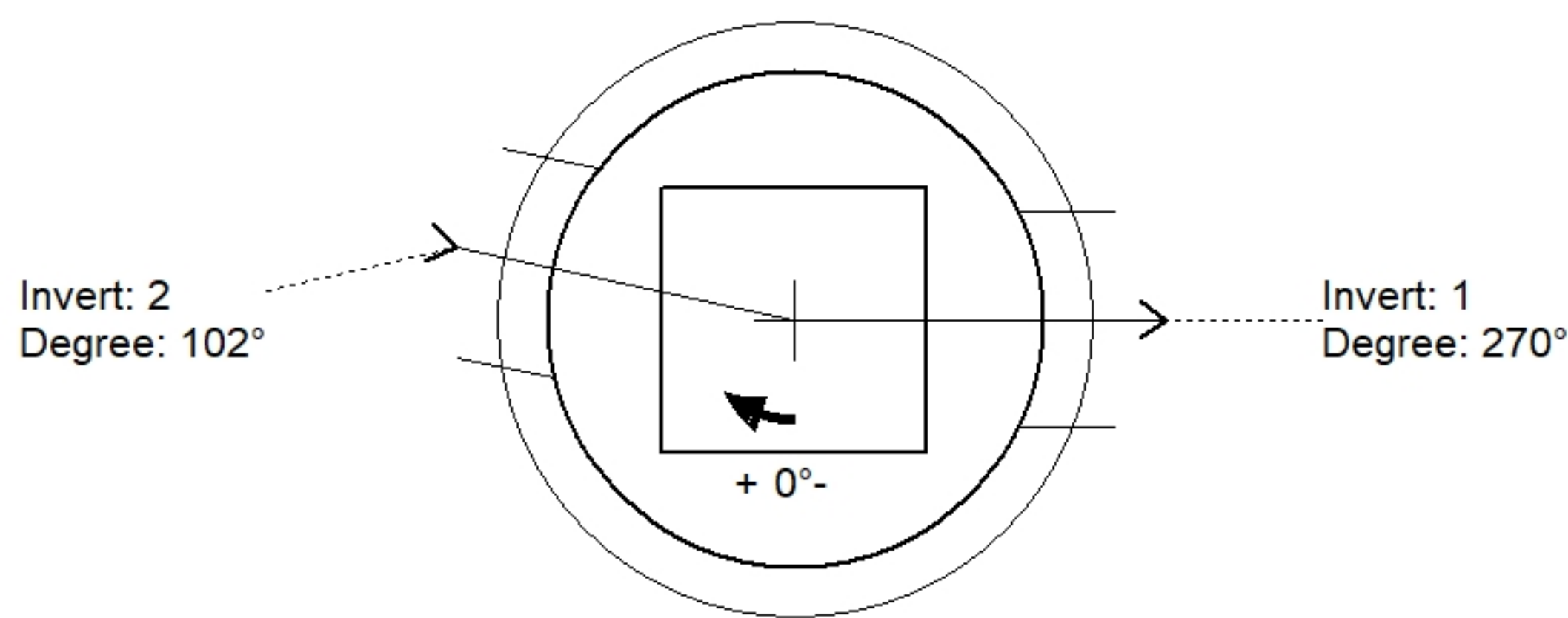
Slack: 0.7"

Structure Notes:

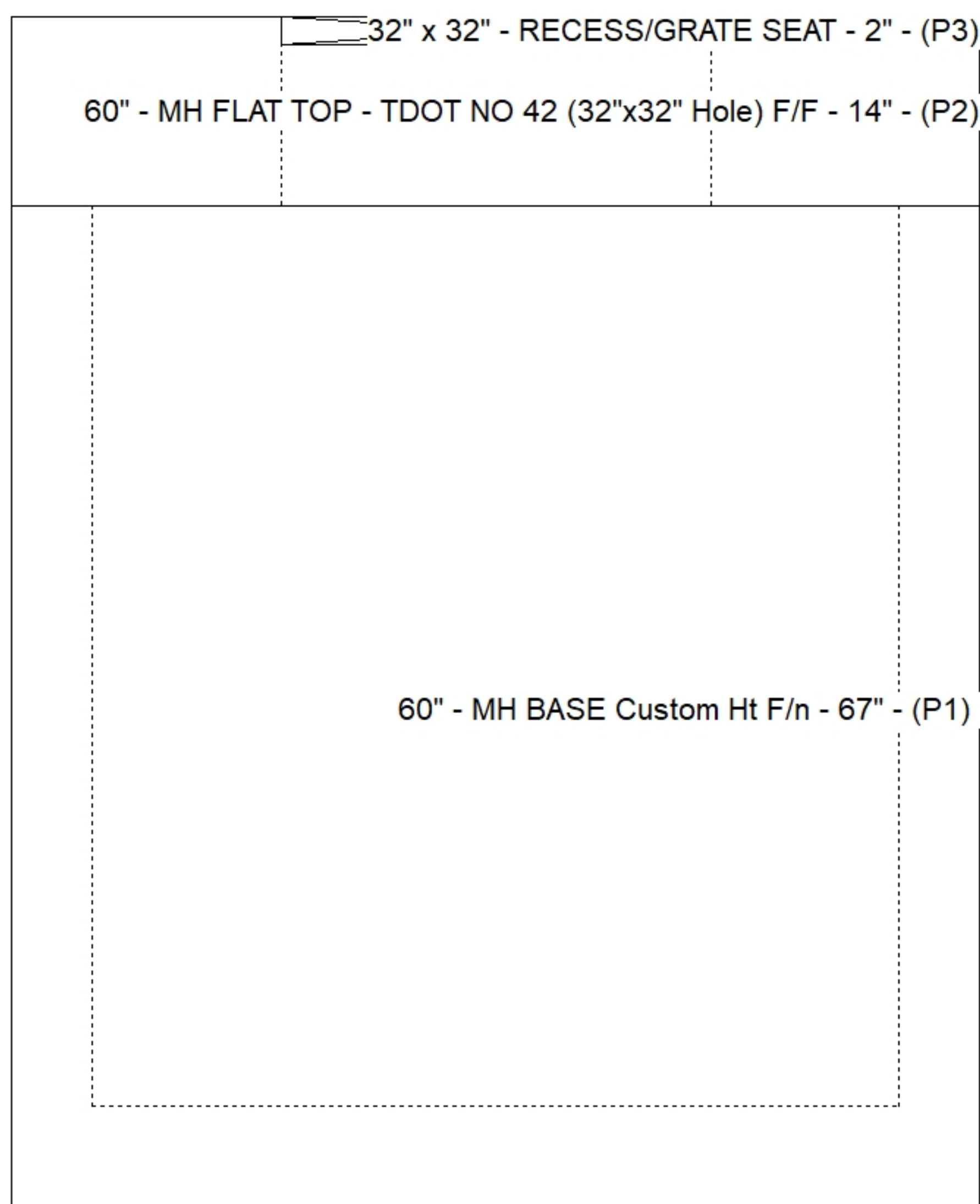
1. JBS-4200 PROVIDED BY ICAST
2. PER TDOT D-CB-42RB / ASTM C478 SPEC'S.
3. CONCRETE = 4,000 PSI AT 28 DAYS.
4. REINFORCING PER ASTM A615 (GRADE 60).
- ** PER TDOT STD DRAWING D-CB-42RB **
- TOP SLAB - DBL MAT #5 BARS.
- RISER (As .18)
- FLOOR (As .62) #5 BARS AT 6" C.C.E.W.
5. 2" WD x 2" DEEP GRATE SEAT/RECESS IN STEPPED TOP SLAB.

STRUCTURE SUMMARY:

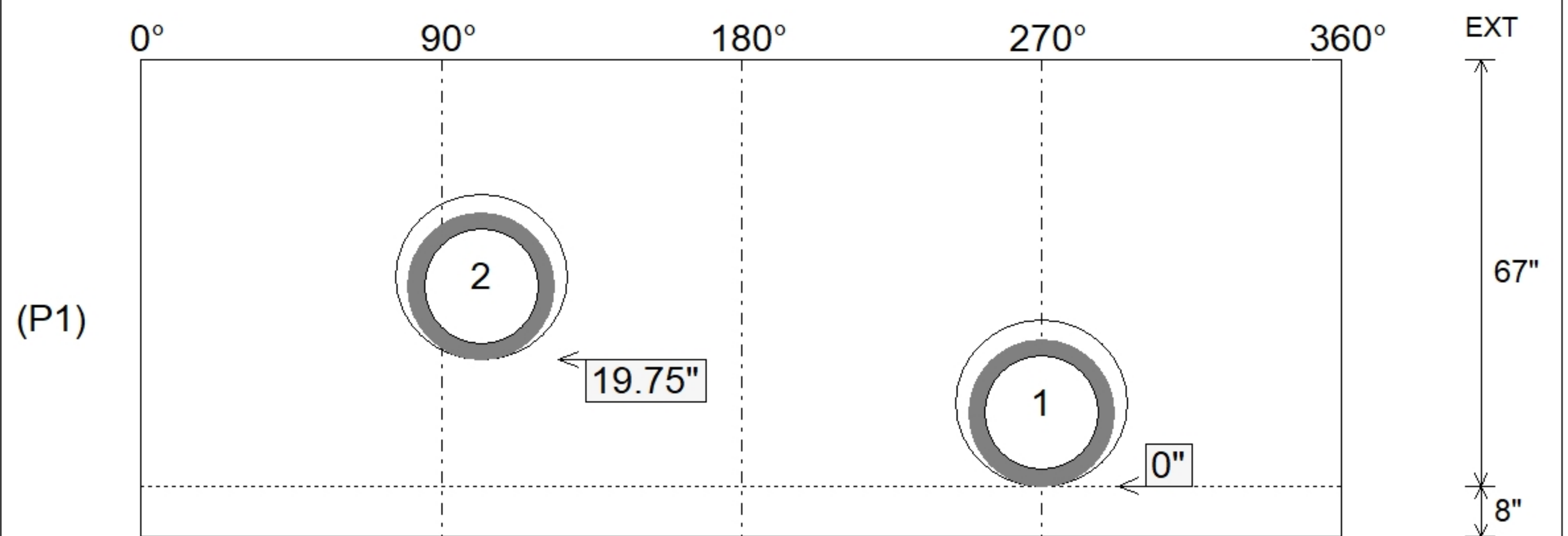
P3) 32" x 32" - RECESS/GRATE SEAT - 2"	0 lb
P2) 60" - MH FLAT TOP - TDOT NO 42 (32"x32" Hole) F/F - 14"	3629 lb
P1) 60" - MH BASE Custom Ht F/n - 67"	9178 lb
1) 60" - SGL 1"x14.5' Butyl (2x)	0 lb
2) Hole - 26	0 lb
Structure Total:	12807 lb



Position	Elev	Angle	Pipe	Pipe OD	Hole	Connector	Up (")	Ref
Rim	886.2'							
Reducer								
Invert 1	879.6'	270°	18" RCP B WALL	23"	26"	Hole 26	0"	P1
Invert 2	881.25'	102°	18" RCP B WALL	23"	26"	Hole 26	19.75"	P1
Invert 3								
Invert 4								
Invert 5								
Invert 6								
Invert 7								
Invert 8								



Cast (Int. Dim.) - Interior Dimensions



Submittal Drawing
10/10/2025 3:59:49 PM

SUBMITTAL
APPROVED BY: