

**Structure ID: AD4**

**P1 MH060BAVF**

**MH BASE Custom Ht F/n**

|  |  |
|--|--|
| P3) 32" x 32" - RECESS/GRATE SEAT - 2"<br>P2) 60" - MH FLAT TOP - TDOT NO 42 (32"x32" Hole) F/F - 14"<br>P1) 60" - MH BASE Custom Ht F/n - 67"<br>1) 60" - SGL 1"x14.5' Butyl (2x)<br>2) Hole - 26 | 0 lb<br>3629 lb<br>9178 lb<br>0 lb<br>0 lb<br>-----<br>Structure Total: 12807 lb |
|--|--|

**Structure Notes:**

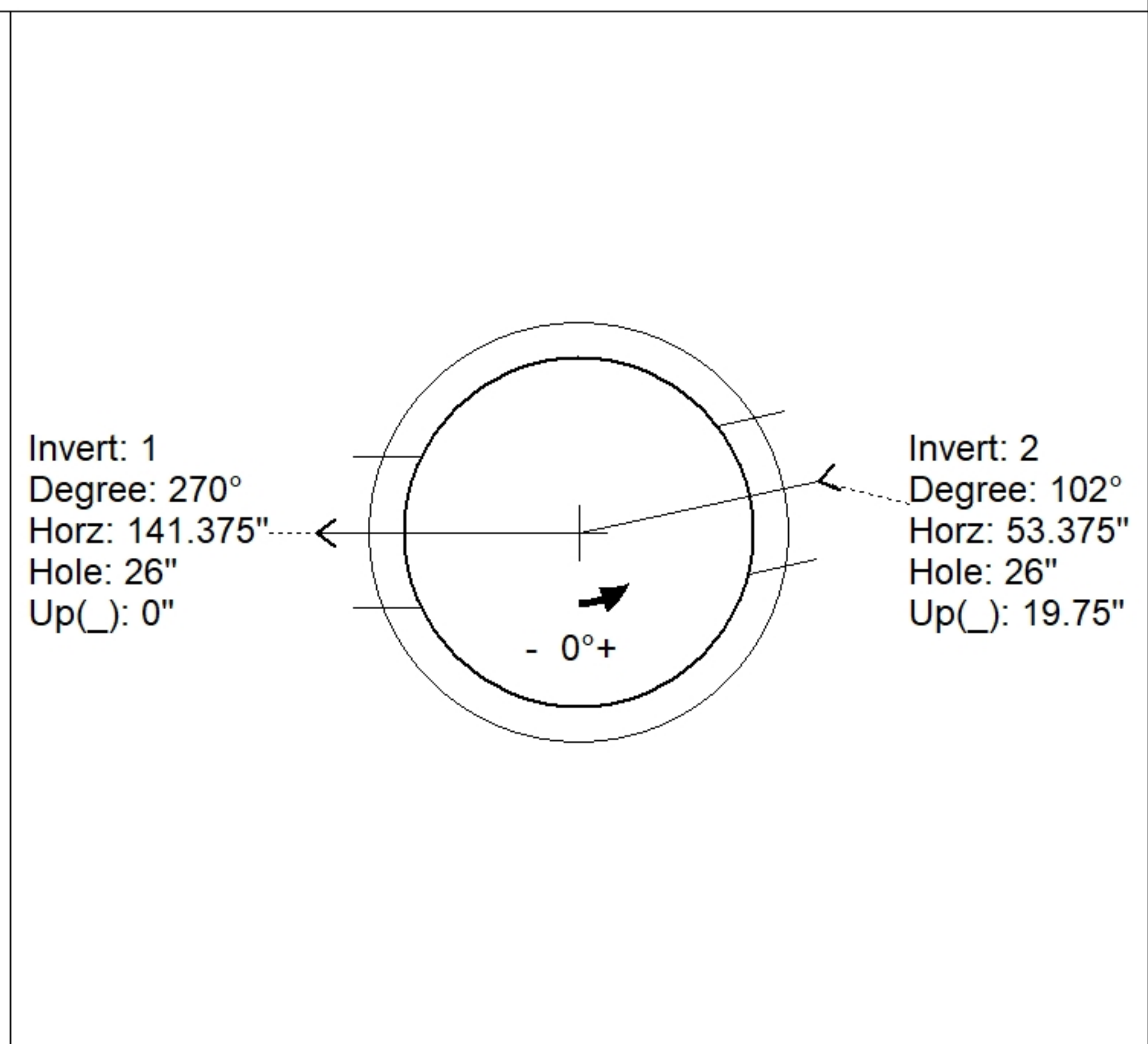
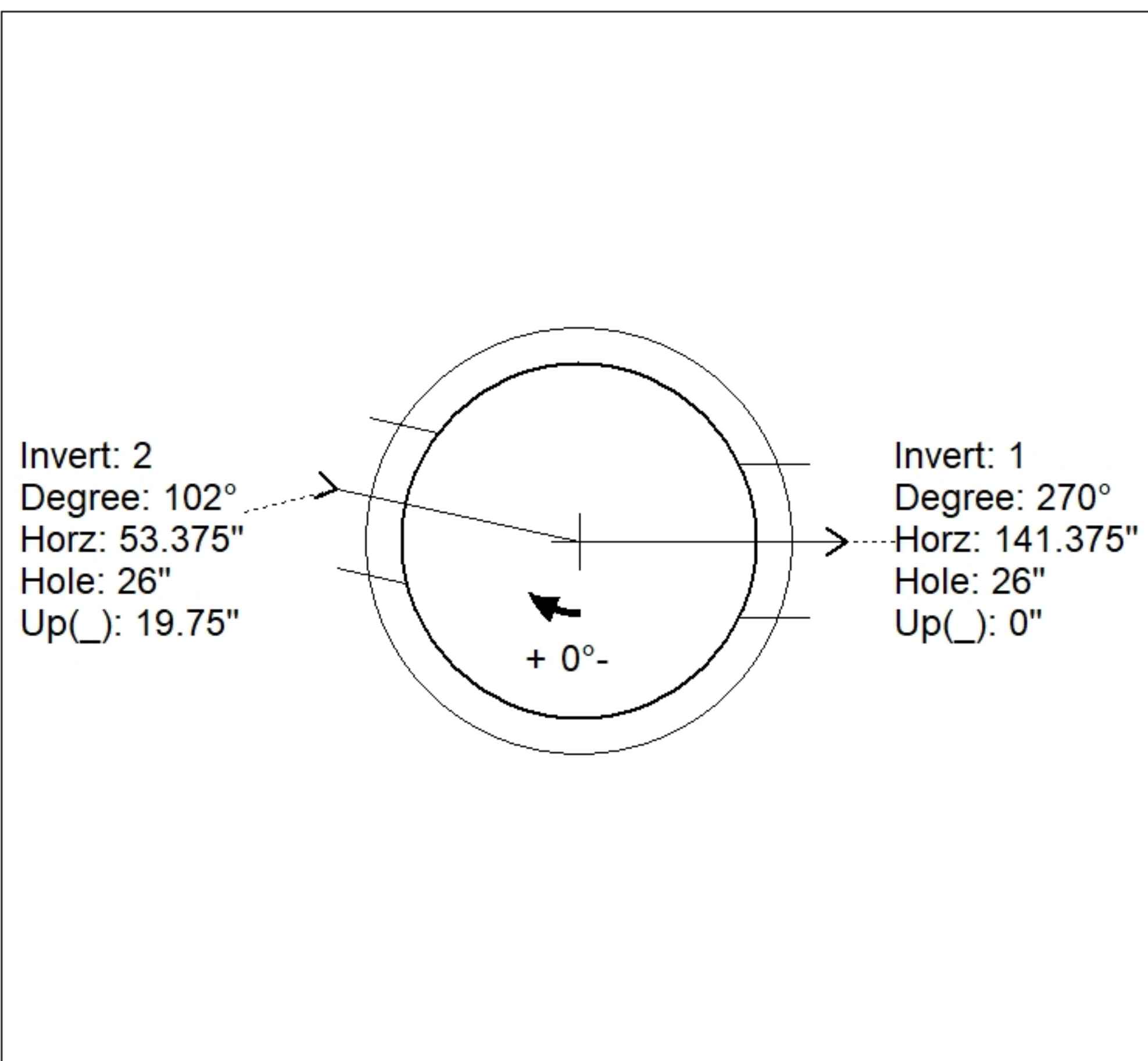
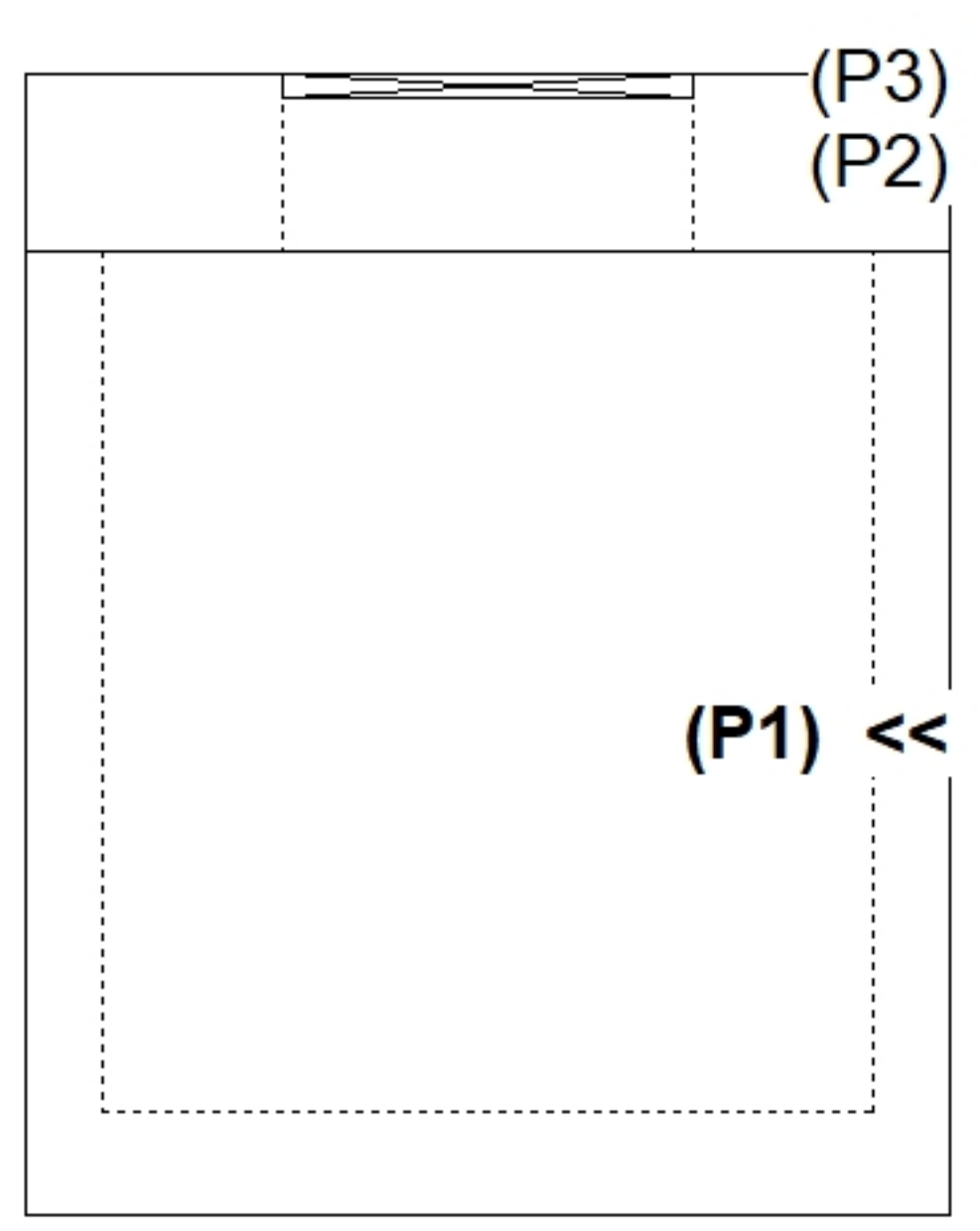
1. JBS-4200 PROVIDED BY ICAST
2. PER TDOT D-CB-42RB / ASTM C478 SPEC'S.
3. CONCRETE = 4,000 PSI AT 28 DAYS.
4. REINFORCING PER ASTM A615 (GRADE 60).  
 \*\* PER TDOT STD DRAWING D-CB-42RB \*\*
- TOP SLAB - DBL MAT #5 BARS.
- RISER (As .18)
- FLOOR (As .62) #5 BARS AT 6" C.C.E.W.
5. 2" WD x 2" DEEP GRATE SEAT/RECESS IN STEPPED TOP SLAB.

Rim: 886.2'    Rim to Invert: 6.6'    Slack: 0.7"    Sump: 2.5"    Step Position:

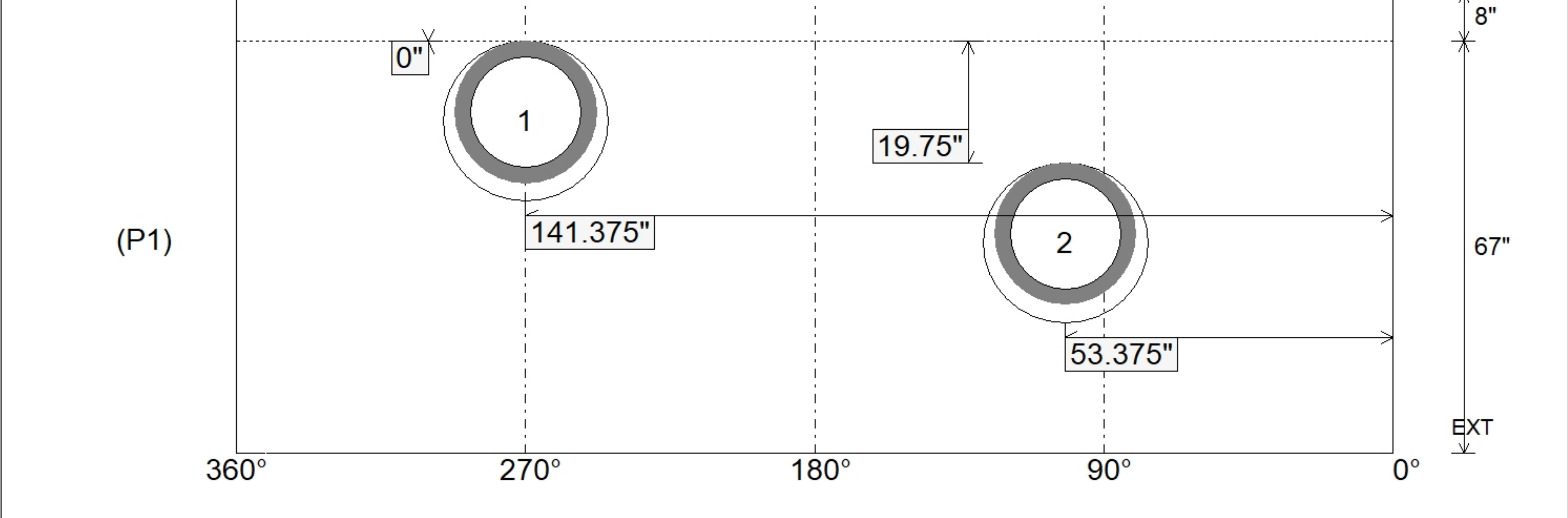
| Position | Elev    | Angle | Ext. (cw) | Pipe           | Pipe OD | Connector | Hole | Horz Size | Up ( ) | Offset |
|----------|---------|-------|-----------|----------------|---------|-----------|------|-----------|--------|--------|
| Invert 1 | 879.6'  | 270°  | 169.625"  | 18" RCP B WALL | 23"     | Hole 26   | 26"  | 26.891"   | 0"     | 0"     |
| Invert 2 | 881.25' | 102°  | 64.125"   | 18" RCP B WALL | 23"     | Hole 26   | 26"  | 26.891"   | 19.75" | 0"     |
| Invert 3 |         |       |           |                |         |           |      |           |        |        |
| Invert 4 |         |       |           |                |         |           |      |           |        |        |
| Invert 5 |         |       |           |                |         |           |      |           |        |        |
| Invert 6 |         |       |           |                |         |           |      |           |        |        |
| Invert 7 |         |       |           |                |         |           |      |           |        |        |
| Invert 8 |         |       |           |                |         |           |      |           |        |        |

RIGHT-SIDE UP VIEW (int. dimensions)

UPSIDE-DOWN VIEW (int. dimensions)



INSIDE WALL DIMENSIONS



|                                  |                               |  |  |  |
|----------------------------------|-------------------------------|--|--|--|
| Coating (Int):<br>Coating (Ext): | Seam Up: Flat<br>Seam Dn: n/a | Wall Thickness: 6"<br>Floor Height: 8" | Height (Int): 67"<br>Height (Ext): 75" | Weight (Net): 9178 lb<br>Volume (Net): 2.34cu.yd |
|----------------------------------|-------------------------------|--|--|--|