

Job Name: 25-2792 Posey Co. Solar Field at AB Brown
Job Location: Mt Vernon, IN
Contractor: Russell's Excavating

PC: E. Bradley
 TECH: J. Horsley
 Plant: Beaver Dam



Structure ID: **OCS (24x24)**
 Spec: Storm
 Type: BX 8inW, 8inF
 Size: 24" x 24"

Rim: 443.44'
 Invert: 441.61'
 Rim to Invert: 1.83'

Sump: 6"
 Floor (Top): 441.11'
 Floor Height: 8"

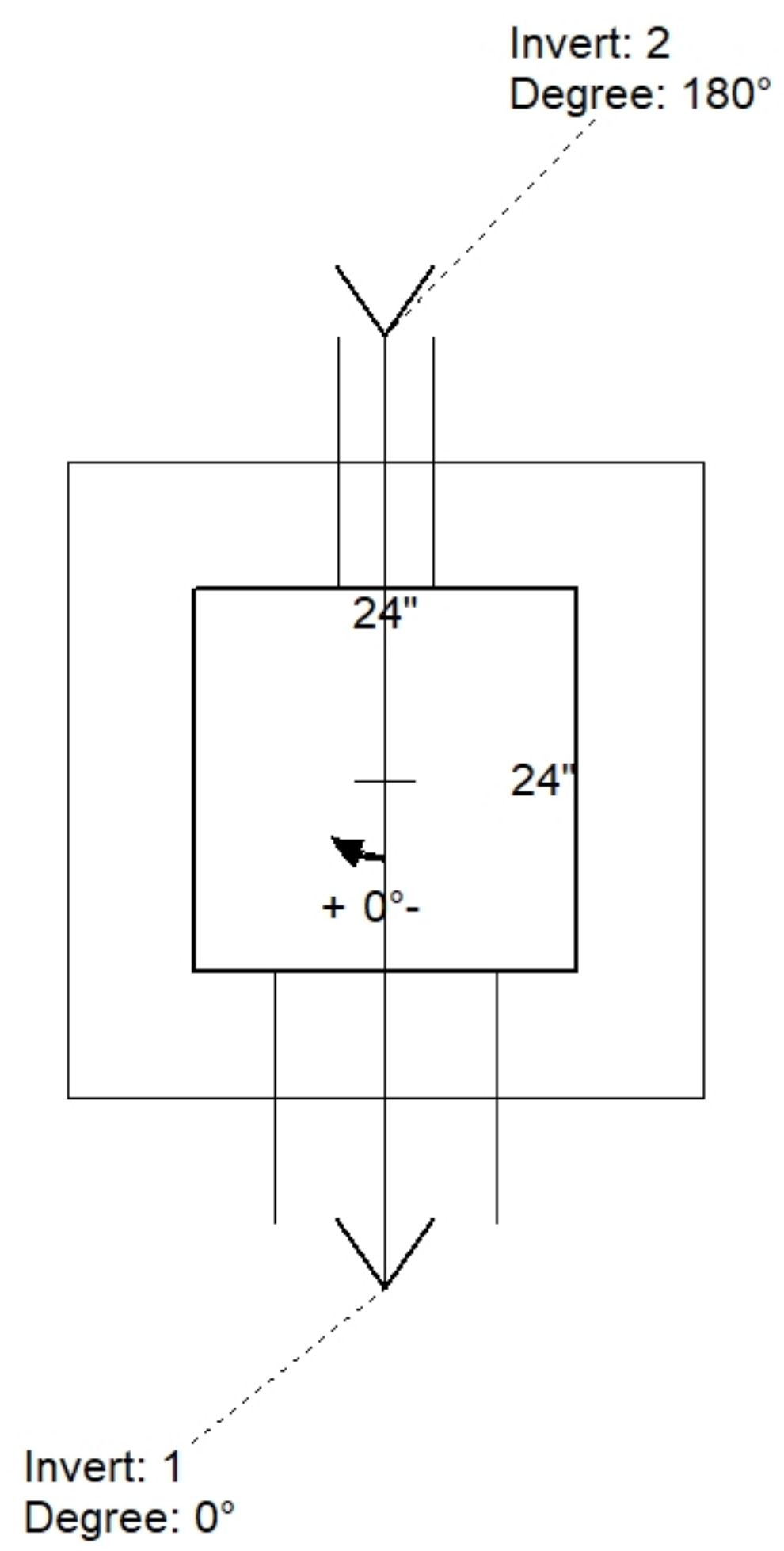
Floor (Bot): 440.443'
 Overall Height: 3'
 Slack: -0.04"

Structure Notes:

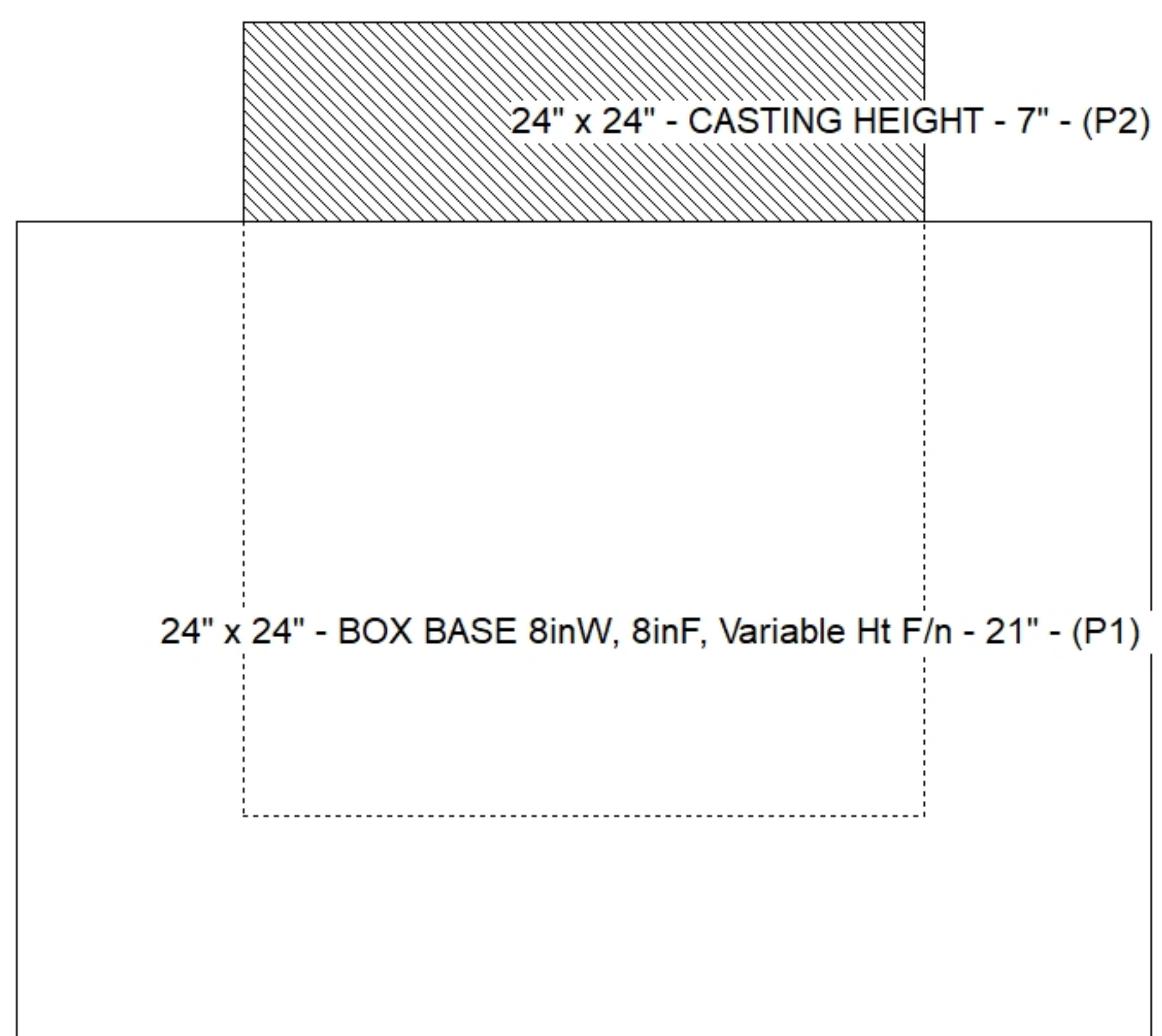
- PER ASTM C913 SPECIFICATIONS.
 - CONCRETE = 4,000 PSI AT 28 DAYS.
 - NO INVERT CHANNEL.
 - CASTING BY ICAST (EJ 10222 Fr./EJ 1020 Grate).
- REINFORCING PER ASTM A615 (GRADE 60).
 - WALLS (As .31) #5 BARS AT 12" C.C.E.W.
 - FLOOR (As .31) #5 BARS AT 12" C.C.E.W.

STRUCTURE SUMMARY:

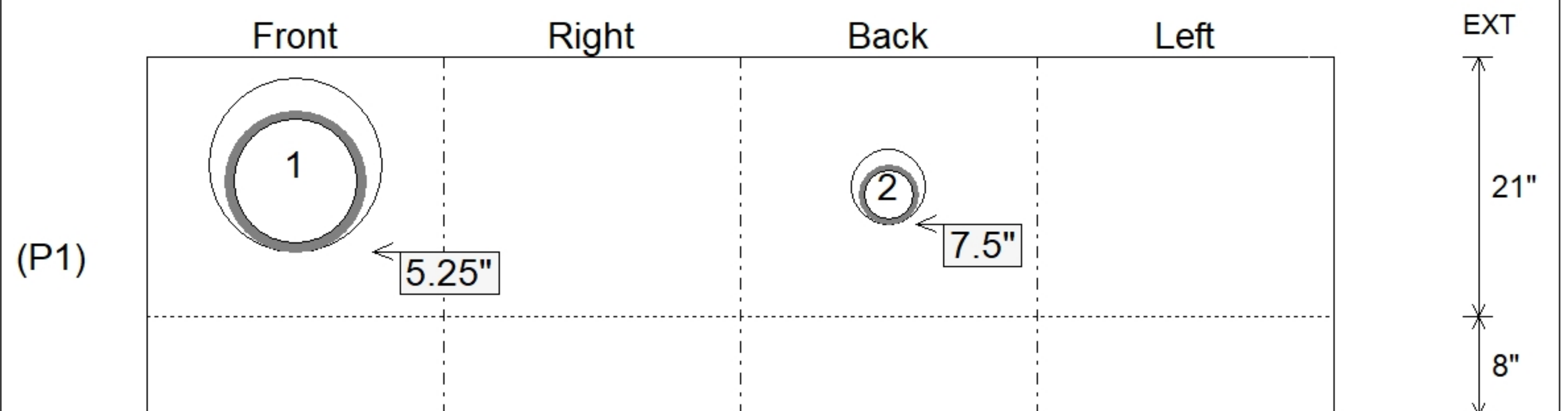
P2) 24" x 24" - CASTING HEIGHT - 7"	0 lb
P1) 24" x 24" - BOX BASE 8inW, 8inF, Variable Ht F/n - 21"	2756 lb
1) 24" x 24" - Con Seal CS-102 1.00"	0 lb
1) Hole - 14	0 lb
1) Hole - 6	0 lb
Structure Total:	2756 lb



Position	Elev	Angle	Pipe	Pipe OD	Hole	Connector	Up ()	Ref
Rim	443.44'							
Reducer								
Invert 1	441.61'	0°	10" HDPE	11.4"	14"	Hole 14	5.25"	P1
Invert 2	441.77'	180°	4" HDPE	4.8"	6"	Hole 6	7.5"	P1
Invert 3								
Invert 4								
Invert 5								
Invert 6								
Invert 7								
Invert 8								



Cast (Int. Dim.) - Interior Dimensions



Submittal Drawing
 10/30/2025 9:00:44 AM

SUBMITTAL
 APPROVED BY: