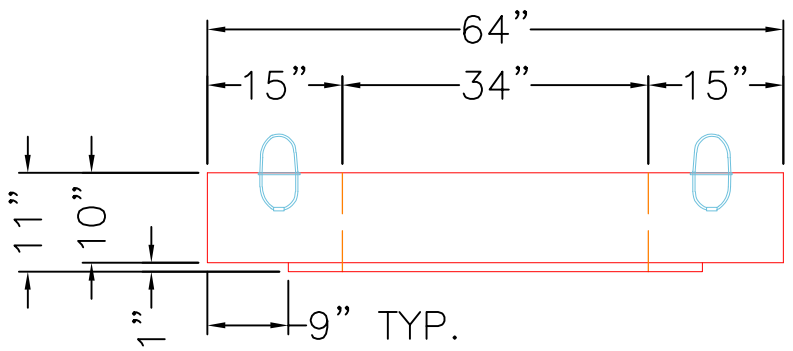


TOP VIEW

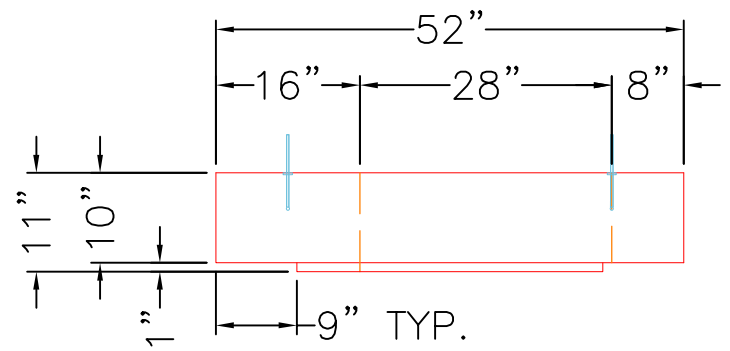
GENERAL NOTES:

1. MANUFACTURED TO TDOT D-CB-12 / ASTM C-913 (LATEST REVISION).
2. CONCRETE: 4,500 PSI AT 28 DAYS.
3. REINFORCING: PER TDOT DRAWING D-CB-12S MODIFIED (GRADE 60).
4. WEIGHT: 2,044 LBS
5. JOINT SEALANT TO BE CONSEAL CS-102, 1".


4 EA. CONAC WRA016 (8MM) WIRE ANCHORS REQUIRED MINIMUM.



FRONT VIEW



RIGHT VIEW

| | | | | | |
|---|--|-----------------------------------|--|---------------------|------------|
| PRODUCTION WORK ORDER | | PRODUCT I.D.: BX036048-10LD08W-SP | DESCRIPTION: 52" X 64" X 10" THICK TOP SLAB | | |
|  | QUALITY CONTROL CHECKLIST | PRODUCT VIEW: RIGHT SIDE UP | CUSTOMER: CAPITAL CITY CONSTRUCTION SERVICES LLC | | |
| | <input type="checkbox"/> ALL DIMENSIONS CORRECT. | PLANT: BEAVER DAM, KY. | PROJECT: TDOT RUTHERFORD CO CNZ193 | | |
| | <input type="checkbox"/> LIFTERS INSTALLED. | WEIGHT: 2,044 LBS. | STRUCTURE: CB-3 | | |
| | <input type="checkbox"/> OPENING CORRECT. | TOP SECTION JOINT: N/A | ORDER NO: 25-2772 | | |
| | <input type="checkbox"/> REINFORCING CORRECT. | BASE SECTION JOINT: N/A | PC: A. CHAMBERS | DRAWING: J. COPPAGE | |
| | <input type="checkbox"/> SURFACE QUALITY ACCEPTABLE. | QC CHECK INITIALS: | DATE: 10/1/25 | SCALE: NTS | PG. 1 of 1 |
| <input type="checkbox"/> EDGES CHAMFERED. | | | | | |
| <input type="checkbox"/> ALL PATCHWORK ACCEPTABLE. | | | | | |