

Job Name: 25-2772 TDOT Rutherford Co CNZ193
Job Location: Rutherford Co., TN
Contractor: Capital City Construction Services LLC

PC: A. Chambers
 TECH:
 Plant: Beaver Dam



Structure ID: CB1
 Spec: TDOT
 Type: CB TYPE 12S
 Size: 36" x 48"

Rim: 600.93'
 Invert: 593.58'
 Rim to Invert: 7.35'

Sump: 2.5"
 Floor (Top): 593.372'
 Floor Height: 8"

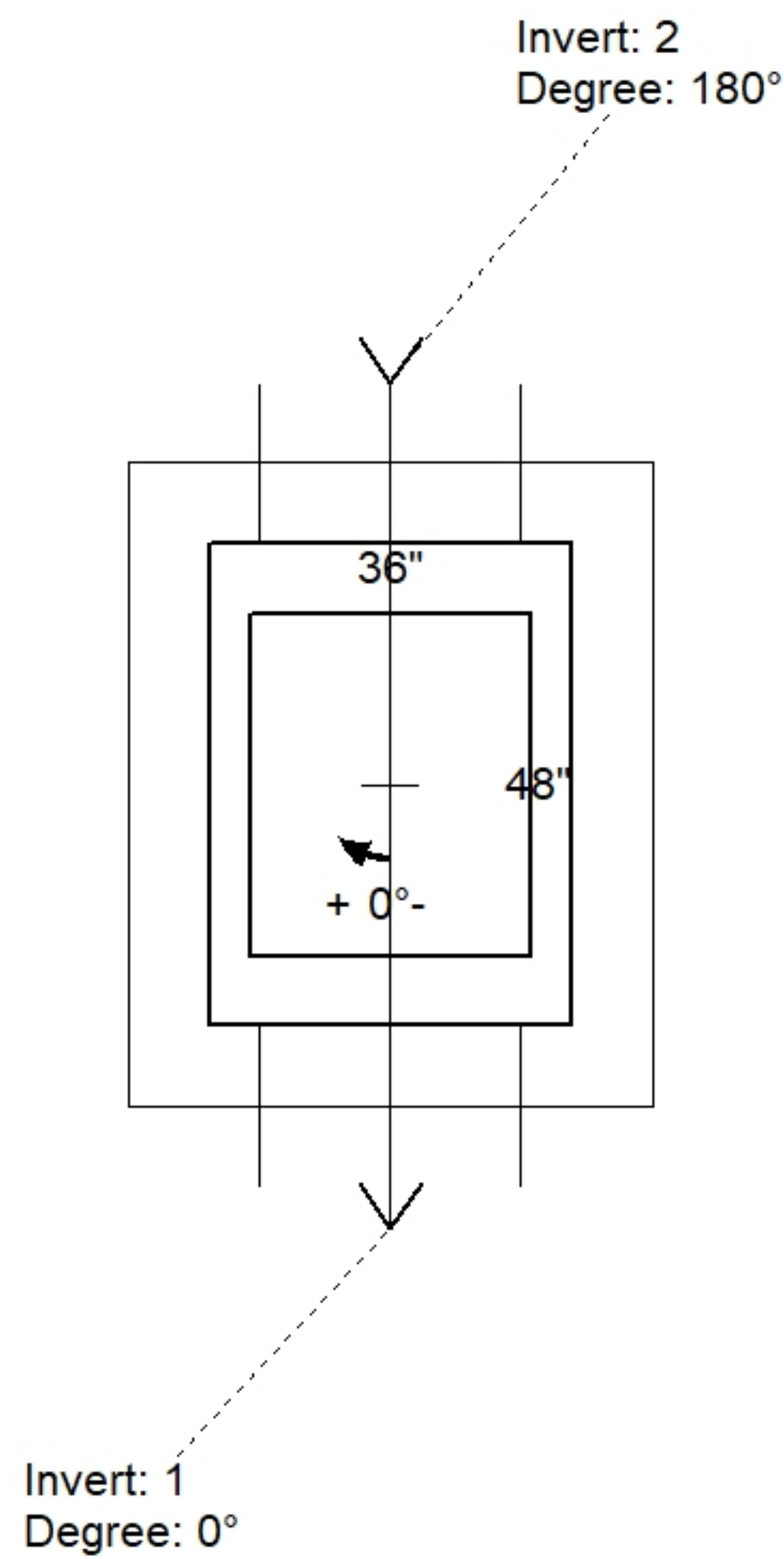
Floor (Bot): 592.705'
 Overall Height: 8.167'
 Slack: 0.7"

Structure Notes:

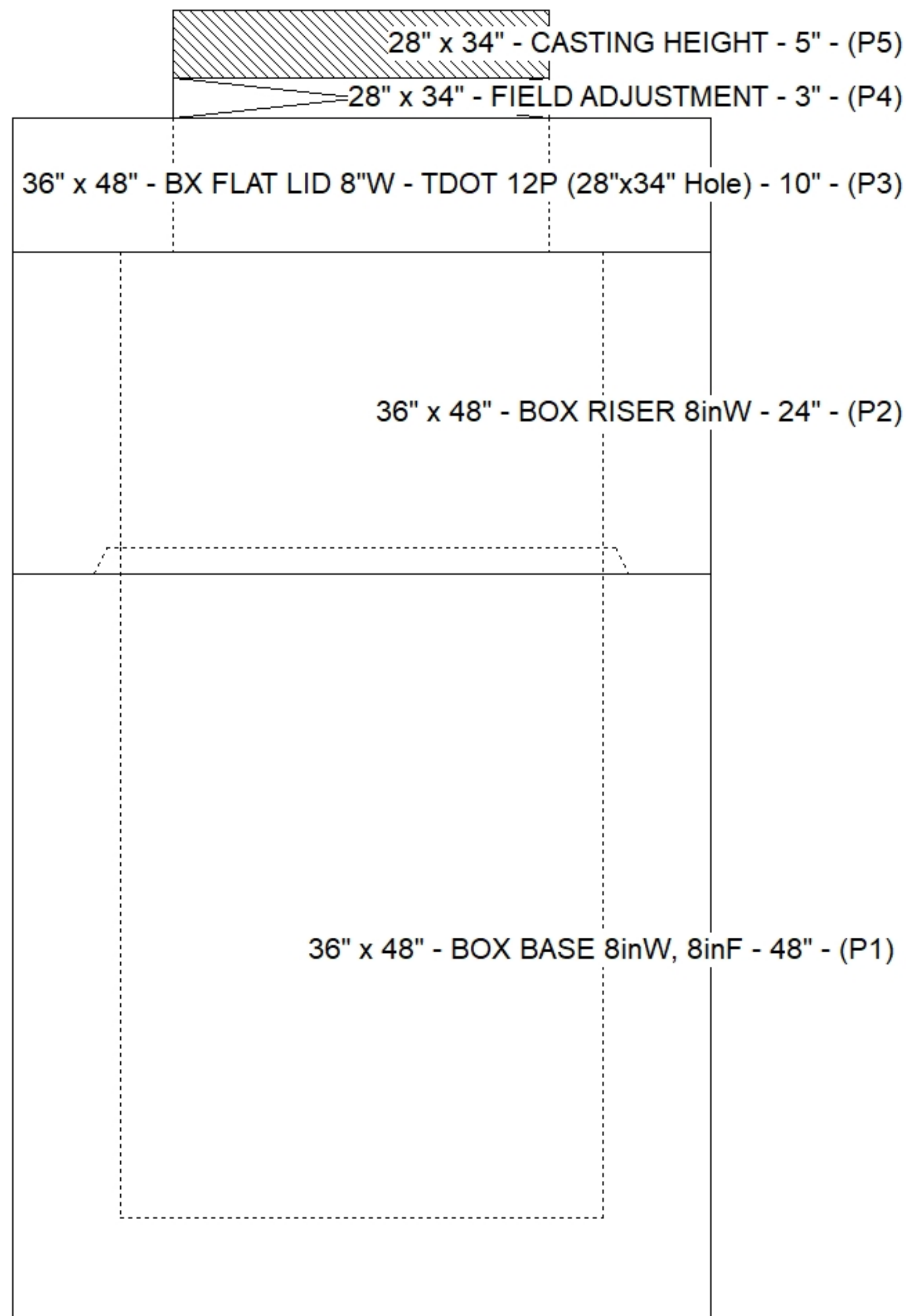
- JBS-3123 MODIFIED PROVIDED BY ICAST.
 - PER TDOT D-CB-12 / ASTM C913 SPEC'S.
 - CONCRETE = 4,000 PSI AT 28 DAYS.
 - REINFORCING PER ASTM A615 (GRADE 60).
- ** SEE TDOT STD DRAWING D-CB-12 **
- TOP SLAB - DBL MAT #5 BARS.
 - WALLS (As .47) #5 BARS AT 8" C.C.E.W.
 - FLOOR (As .47) #5 BARS AT 8" C.C.E.W.

STRUCTURE SUMMARY:

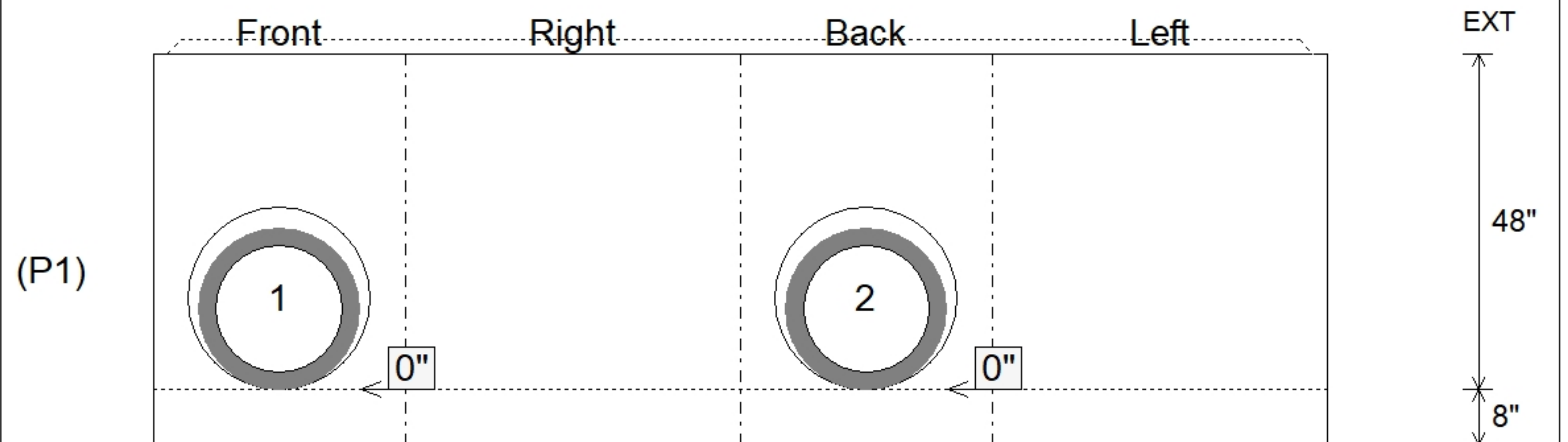
P5) 28" x 34" - CASTING HEIGHT - 5"	0 lb
P4) 28" x 34" - FIELD ADJUSTMENT - 3"	0 lb
P3) 36" x 48" - BX FLAT LID 8"W - TDOT 12P (28"x34" Hole) - 10"	2044 lb
P2) 36" x 48" - BOX RISER 8inW - 24"	3222 lb
P1) 36" x 48" - BOX BASE 8inW, 8inF - 48"	7966 lb
2) 36" x 48" - Conseal CS-102 1.00"	0 lb
2) 28" x 34" - Conseal CS-102 1.00"	0 lb
2) Hole - 26	0 lb
Structure Total:	13232 lb



Position	Elev	Angle	Pipe	Pipe OD	Hole	Connector	Up (")	Ref
Rim	600.93'							
Reducer								
Invert 1	593.58'	0°	18" RCP B WALL	23"	26"	Hole 26	0"	P1
Invert 2	593.58'	180°	18" RCP B WALL	23"	26"	Hole 26	0"	P1
Invert 3								
Invert 4								
Invert 5								
Invert 6								
Invert 7								
Invert 8								



Default - Interior Dimensions



Submittal Drawing
 10/22/2025 12:51:01 PM

SUBMITTAL
 APPROVED BY: