

Job Name: 25-2772 TDOT Rutherford Co CNZ193  
 Job Location: Rutherford Co., TN  
 Contractor: Capital City Construction Services LLC

Plant: Beaver Dam

10/1/2025 8:02:28 AM

Tech: J. Coppage

PC: A. Chambers



**Structure ID: CB-1**

**P1 BX3648-08BA48**

**BOX BASE 8inW, 8inF**

- P5) 28" x 34" - CASTING HEIGHT - 5"
- P4) 28" x 34" - FIELD ADJUSTMENT - 3"
- P3) 36" x 48" - BX FLAT LID 8"W - TDOT 12P (28"x34" Hole) - 10"
- P2) 36" x 48" - BOX RISER 8inW - 24"
- P1) 36" x 48" - BOX BASE 8inW, 8inF - 48"
- 2) 36" x 48" - Conseal CS-102 1.00"
- 2) 28" x 34" - Conseal CS-102 1.00"
- 2) Hole - 26"

- Structure Notes:**
1. JBS-3123 MODIFIED PROVIDED BY ICAST.
  2. PER TDOT D-CB-12 / ASTM C913 SPEC'S.
  3. CONCRETE = 4,000 PSI AT 28 DAYS.
  4. REINFORCING PER ASTM A615 (GRADE 60).
- \*\* SEE TDOT STD DRAWING D-CB-12 \*\*
- TOP SLAB - DBL MAT #5 BARS.
  - WALLS (As .47) #5 BARS AT 8" C.C.E.W.
  - FLOOR (As .47) #5 BARS AT 8" C.C.E.W.

Structure Total:

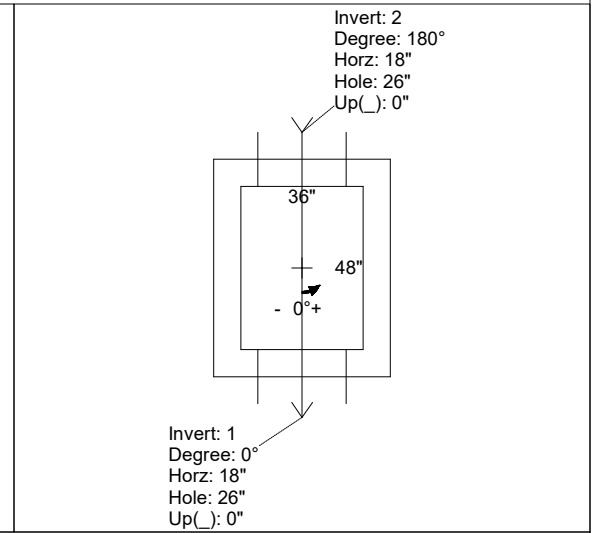
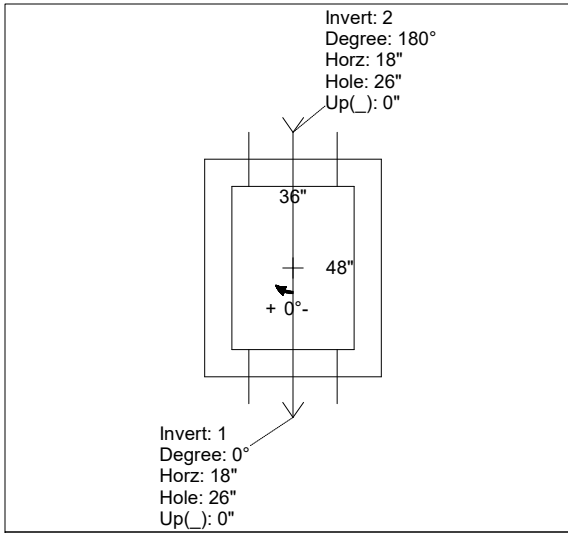
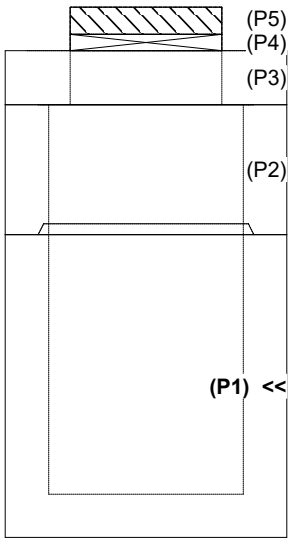
13232 lb

Rim: 600.93' Rim to Invert: 7.35' Slack: 0.7" Sump: 2.5" Step Position:

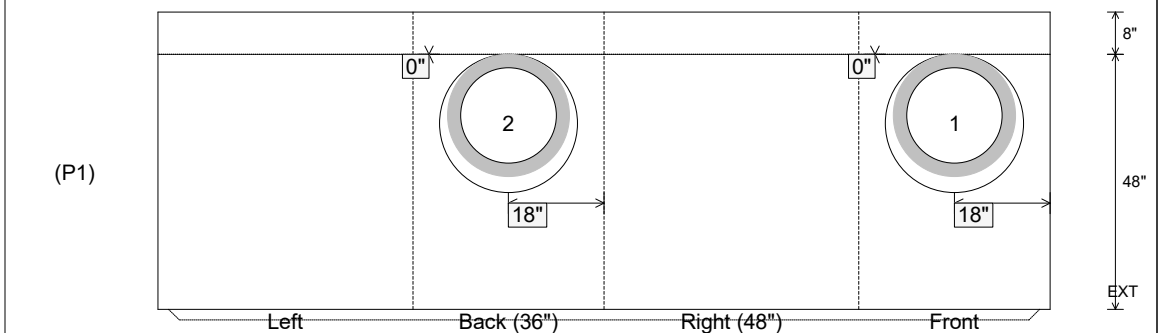
Position	Elev	Angle	Ext. (cw)	Pipe	Pipe OD	Connector	Hole	Horz Size	Up ( )	Offset
Invert 1	593.58'	0°	26"	18" RCP B WALL	23"	Hole 26	26"	26"	0"	0"
Invert 2	593.58'	180°	26"	18" RCP B WALL	23"	Hole 26	26"	26"	0"	0"
Invert 3										
Invert 4										
Invert 5										
Invert 6										
Invert 7										
Invert 8										

RIGHT-SIDE UP VIEW (int. dimensions)

UPSIDE-DOWN VIEW (int. dimensions)



INSIDE WALL DIMENSIONS



Coating (Int):  
 Coating (Ext):

Seam Up: Tongue  
 Seam Dn: n/a

Wall Thickness: 8"  
 Floor Height: 8"

Height (Int): 48"  
 Height (Ext): 56"

Weight (Net): 7966 lb  
 Volume (Net): 2.04cu.yd