

Job Name: 25-2727 - S English Station Storage
Job Location: Louisville, KY
Contractor: H&W Landwork

PC: T. Lewis
 TECH: J. Coppage - F
 Plant: Beaver Dam, KY



Structure ID: 15
 Spec: Storm
 Type: STM.MH (Recessed pipe)
 Size: 48"

Rim: 698.4'
 Invert: 692.9'
 Rim to Invert: 5.5'

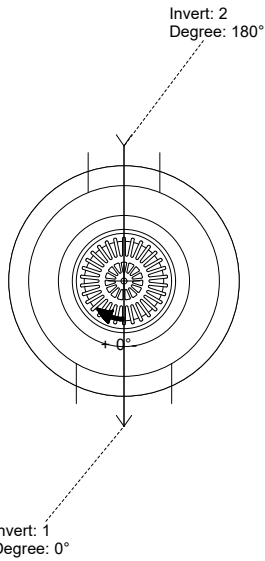
Sump: 0"
 Floor (Top): 692.9"
 Floor Height: 6"

Floor (Bot): 692.4'
 Overall Height: 6'
 Slack: 0"

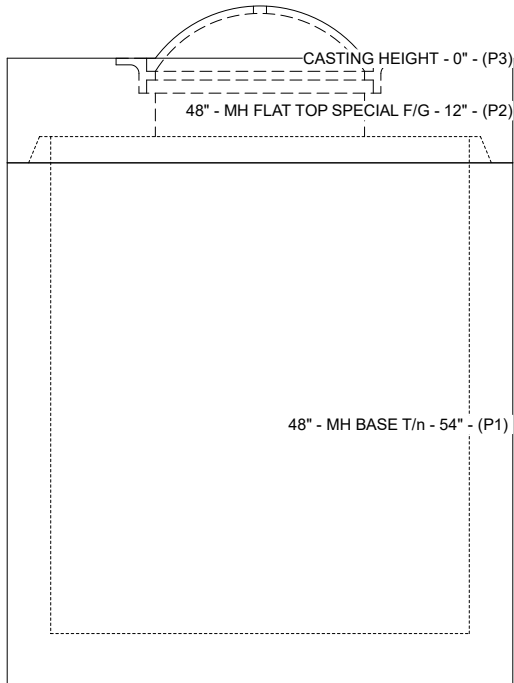
- Structure Notes:**
- PER ASTM C-478 SPECIFICATIONS
 - CONCRETE: 4,500 PSI AT 28 DAYS
 - REINFORCEMENT:
 - FLAT LID: #4 BAR @ 10" C.C. E.W. (GRADE 60)
 - BASE: PER ASTM A615
 - NO STORM INVERT
 - NO STEPS
 - HOE MCS-288-BH FRAME & BEEHIVE GRATE SUPPLIED BY ICAST - FRAME TO BE CAST INTO FLAT LID FLANGE SIDE UP

STRUCTURE SUMMARY:

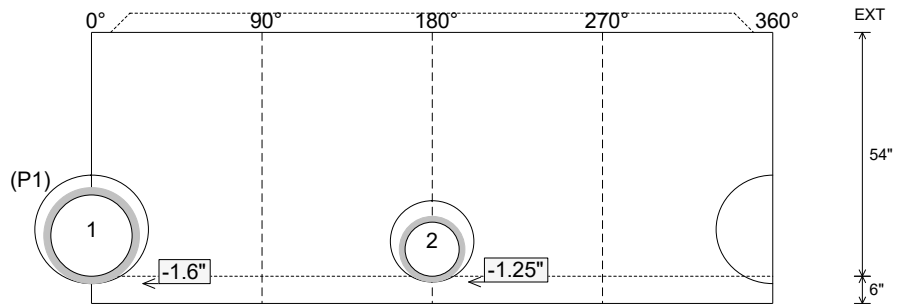
P3) CASTING HEIGHT - 0"	0 lb
P2) 48" - MH FLAT TOP SPECIAL F/G - 12"	2520 lb
P1) 48" - MH BASE T/n - 54"	4796 lb
1) CASTING - HOE MCS-288 BEEHIVE	125 lb
1) This Structure Includes a Cast-in Item - HOE MCS-288 Frame	0 lb
1) CASTING - HOE MCS-288 Frame	123 lb
1) 48" - Conseal CS-102 1.00"	0 lb
1) Hole - 24	0 lb
1) Hole - 18	0 lb
Structure Total:	7564 lb



Position	Elev	Angle	Pipe	Pipe OD	Hole	Connector	Up (L)	Ref
Rim	698.4'							
Reducer								
Invert 1	692.9'	0°	18" HDPE	21.2"	24"	Hole 24	-1.6"	P1
Invert 2	692.9'	180°	12" HDPE	14.5"	18"	Hole 18	-1.25"	P1
Invert 3								
Invert 4								
Invert 5								
Invert 6								
Invert 7								
Invert 8								



Cast (Int. Dim.) - Interior Dimensions

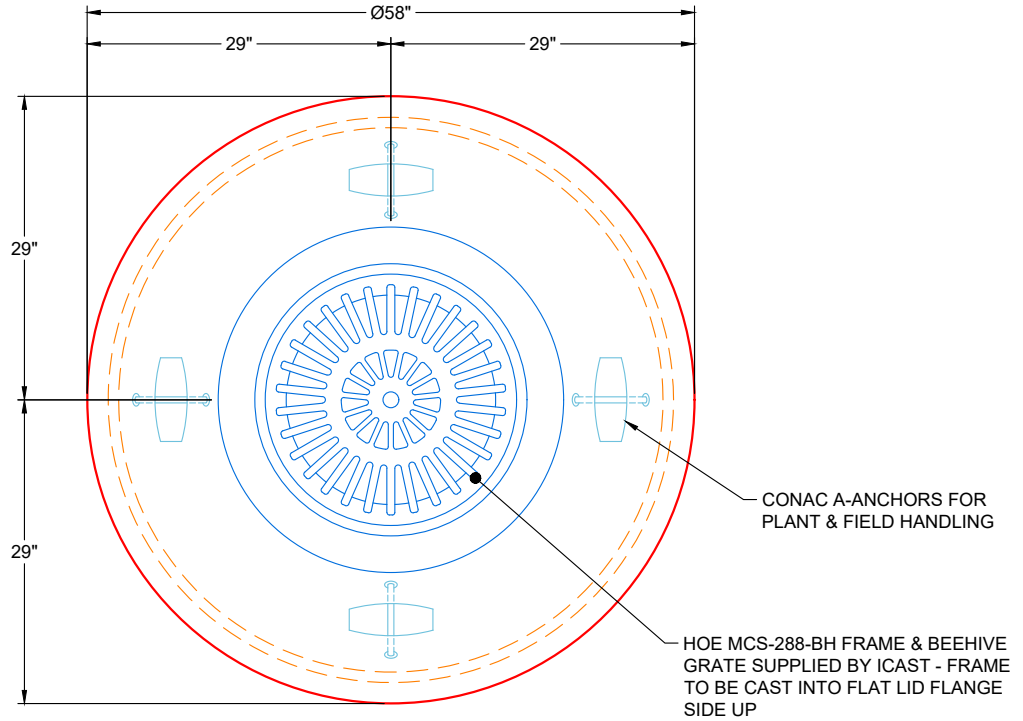


Submittal Drawing
 2/3/2026 5:31:52 PM

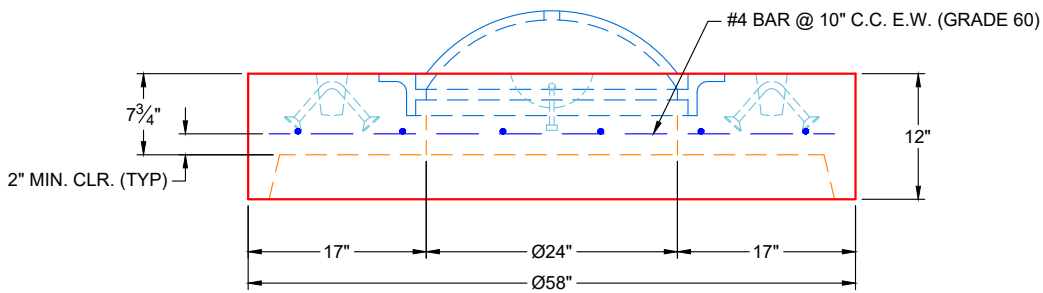
SUBMITTAL
 APPROVED BY:

GENERAL NOTES:


1. MANUFACTURED TO ASTM C-478 (LATEST REVISION)
2. CONCRETE: 4,500 PSI AT 28 DAYS
3. REINFORCING: #4 BAR @ 10" C.C. E.W. (GRADE 60)
4. WEIGHT: 2,520 LBS
5. HOE MCS-288-BH FRAME & BEEHIVE GRATE SUPPLIED BY ICAST - FRAME TO BE CAST INTO FLAT LID FLANGE SIDE UP



PLAN VIEW



FRONT VIEW

REVISIONS			SUBMITTAL DRAWING: Ø48" MH FLAT LID SPECIAL, 12" HT.	
REV. 0	DATE:		CUSTOMER: H&W LANDWORK	
			PROJECT: S ENGLISH STATION STORAGE	
			STRUCTURE: 15	
			SALES ORDER NO: 25-2727	
		CHECKED BY: B. SMITH	DRAWN BY: K. CARDWELL	
		DATE: 02/03/26	SCALE: NTS	PG. 1 OF 1