

Job Name: 25-2727 - S English Station Storage
 Job Location: Louisville, KY
 Contractor: H&W Landwork

Plant: Beaver Dam, KY

Tech: J. Coppage - F

2/3/2026 6:41:21 PM

PC: T. Lewis



Structure ID: 13

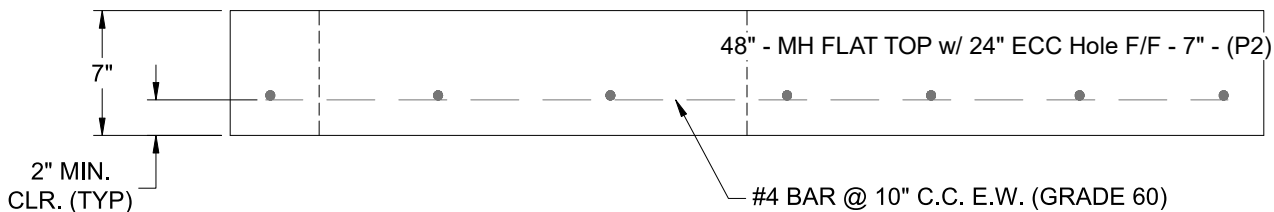
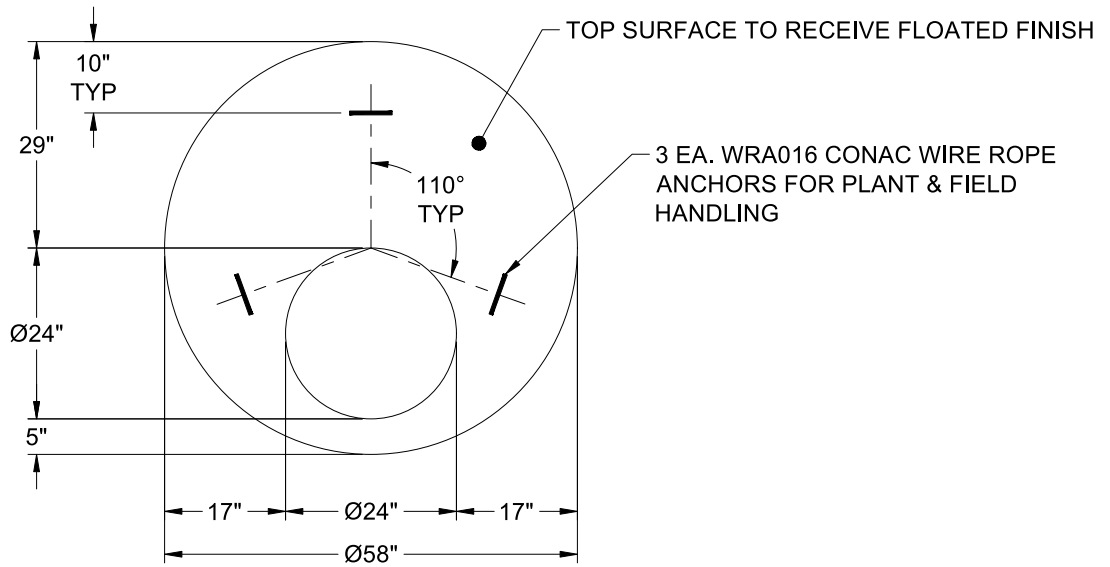
P2 MH048LD07ECC

MH FLAT TOP w/ 24" ECC Hole F/F

- P3) 24" - CASTING HEIGHT - 7"
- P2) 48" - MH FLAT TOP w/ 24" ECC Hole F/F - 7"
- P1) 48" - MH BASE Custom Ht F/n - 41"
- 1) CASTING - HOE MC-420 F/C Storm LOU-MSD
- 1) 48" - Conseal CS-102 1.00"
- 1) Hole - 16
- 2) Hole - 30
- 3) MH Step ML-10-TDS-NCR - 10"

	0 lb
	1286 lb
	3477 lb
	340 lb
	0 lb
	0 lb
	0 lb
	0 lb
Structure Total:	5103 lb

- Structure Notes:**
1. PER ASTM C-478 SPECIFICATIONS
 2. CONCRETE: 4,500 PSI AT 28 DAYS
 3. REINFORCEMENT: #4 BAR @ 10" C.C. E.W. (GRADE 60) - 2" MIN. REBAR CLEARANCE (TYP)
 4. HOE MC-420 FRAME & COVER "STORM LOU-MSD" SUPPLIED BY ICAST
 5. LIFTERS: 3 EA. WRA016 CONAC WIRE ROPE ANCHORS FOR PLANT & FIELD HANDLING
 6. TOP SURFACE TO RECEIVE FLOATED FINISH



Coating (Int): Coating (Ext):	Seam Up: Flat Seam Dn: Flat	Wall Thickness: 5"	Height (Ext): 7"	Weight (Net): 1286 lb Volume (Net): 0.33cu.yd
----------------------------------	--------------------------------	--------------------	------------------	--