

Job Name: 25-2727 - S English Station Storage  
 Job Location: Louisville, KY  
 Contractor: H&W Landwork

Plant: Beaver Dam, KY  
 2/3/2026 6:40:43 PM

Tech: J. Coppage - F  
 PC: T. Lewis



**Structure ID: 13**

**P1 MH048BAVF**

**MH BASE Custom Ht F/n**

P3) 24" - CASTING HEIGHT - 7"	0 lb
P2) 48" - MH FLAT TOP w/ 24" ECC Hole F/F - 7"	1286 lb
P1) 48" - MH BASE Custom Ht F/n - 41"	3477 lb
1) CASTING - HOE MC-420 F/C Storm LOU-MSD	340 lb
1) 48" - Conseal CS-102 1.00"	0 lb
1) Hole - 16	0 lb
2) Hole - 30	0 lb
3) MH Step ML-10-TDS-NCR - 10"	0 lb
<b>Structure Total:</b>	<b>5103 lb</b>

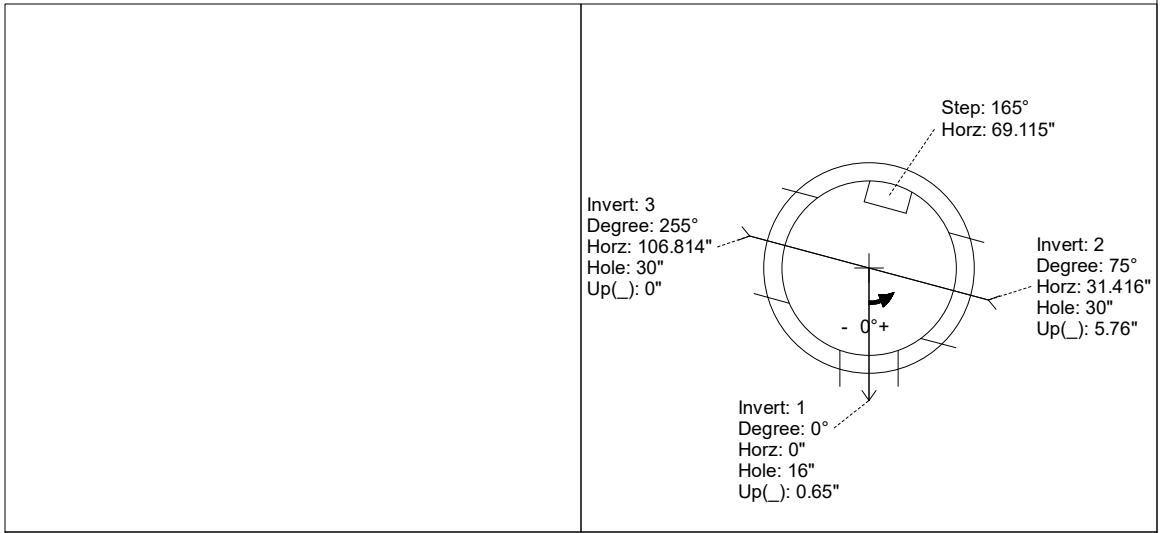
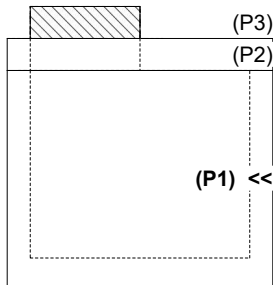
**Structure Notes:**  
 1. PER ASTM C-478 SPECIFICATIONS  
 2. CONCRETE: 4,500 PSI AT 28 DAYS  
 3. REINFORCEMENT: PER ASTM A615  
 4. NO STORM INVERT  
 5. STEPS AT 165 DEGREES  
 6. HOE MC-420 FRAME & COVER "STORM LOU-MSD" SUPPLIED BY ICAST

Rim: 704.5' Rim to Invert: 4.5' Slack: 0.9" Sump: 1.9" Step Position: 165°

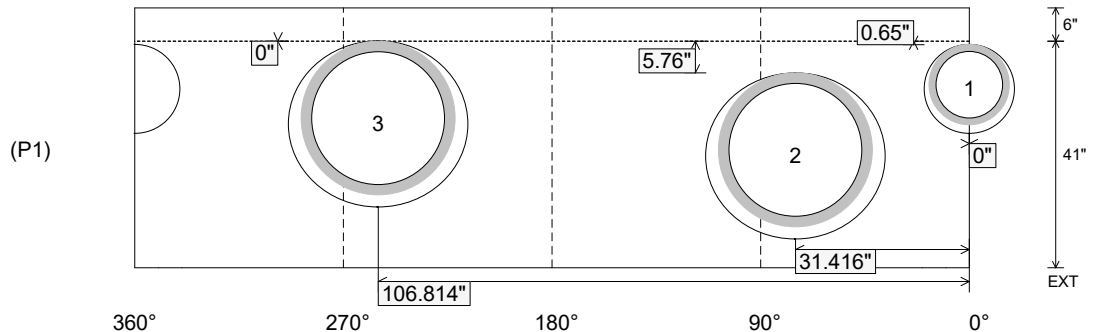
Position	Elev	Angle	Ext. (cw)	Pipe	Pipe OD	Connector	Hole	Horz Size	Up ( )	Offset
Invert 1	700'	0°	0"	12" HDPE	14.5"	Hole 16	16"	16.312"	0.65"	0"
Invert 2	700.48'	75°	37.961"	24" HDPE	27.8"	Hole 30	30"	32.406"	5.76"	0"
Invert 3	700'	255°	129.067"	24" HDPE	27.8"	Hole 30	30"	32.406"	0"	0"
Invert 4										
Invert 5										
Invert 6										
Invert 7										
Invert 8										

RIGHT-SIDE UP VIEW (int. dimensions)

UPSIDE-DOWN VIEW (int. dimensions)



INSIDE WALL DIMENSIONS



Coating (Int):  
 Coating (Ext):

Seam Up: Flat  
 Seam Dn: n/a

Wall Thickness: 5"  
 Floor Height: 6"

Height (Int): 41"  
 Height (Ext): 47"

Weight (Net): 3477 lb  
 Volume (Net): 0.89cu.yd