

**Job Name: 25-2727 - S English Station Storage**  
**Job Location: Louisville, KY**  
**Contractor: H&W Landwork**

PC: T. Lewis  
 TECH: J. Copping - F  
 Plant: Beaver Dam, KY



Structure ID: 10

Spec: Storm  
 Type: STM.MH (Recessed pipe)  
 Size: 48"

Rim: 707.1'  
 Invert: 703'  
 Rim to Invert: 4.1'

Sump: 0"  
 Floor (Top): 703'  
 Floor Height: 6"

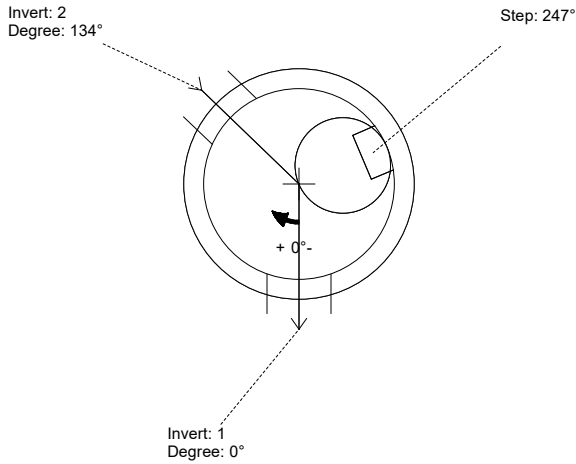
Floor (Bot): 702.5'  
 Overall Height: 4.583'  
 Slack: 0.2"

**Structure Notes:**

1. PER ASTM C-478 SPECIFICATIONS
2. CONCRETE: 4,500 PSI AT 28 DAYS
3. REINFORCEMENT:
  - FLAT LID: #4 BAR @ 10" C.C. E.W. (GRADE 60)
  - BASE: PER ASTM A615
4. NO STORM INVERT
5. STEPS AT 247 DEGREES
6. HOE MC-420 FRAME & COVER "STORM LOU-MSD" SUPPLIED BY ICAST

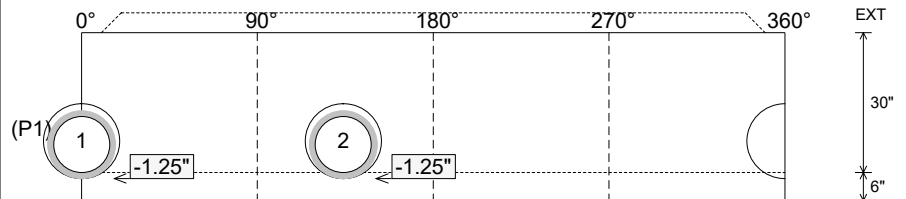
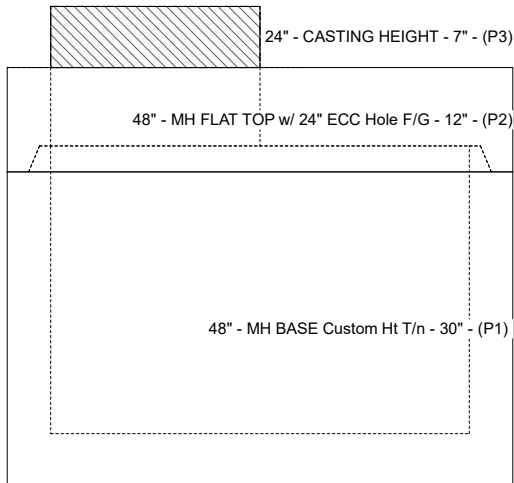
**STRUCTURE SUMMARY:**

P3) 24" - CASTING HEIGHT - 7"	0 lb
P2) 48" - MH FLAT TOP w/ 24" ECC Hole F/G - 12"	1561 lb
P1) 48" - MH BASE Custom Ht T/n - 30"	3255 lb
1) CASTING - HOE MC-420 F/C Storm LOU-MSD	340 lb
1) 48" - Conseal CS-102 1.00"	0 lb
2) Hole - 16	0 lb
3) MH Step ML-10-TDS-NCR - 10"	0 lb
<b>Structure Total:</b>	<b>5156 lb</b>



Position	Elev	Angle	Pipe	Pipe OD	Hole	Connector	Up (L)	Ref
Rim	707.1'							
Reducer								
Invert 1	703'	0°	12" HDPE	14.5"	16"	Hole 16	-1.25"	P1
Invert 2	703'	134°	12" HDPE	14.5"	16"	Hole 16	-1.25"	P1
Invert 3								
Invert 4								
Invert 5								
Invert 6								
Invert 7								
Invert 8								

**Cast (Int. Dim.) - Interior Dimensions**



Submittal Drawing  
 2/3/2026 5:31:58 PM

SUBMITTAL  
 APPROVED BY: