

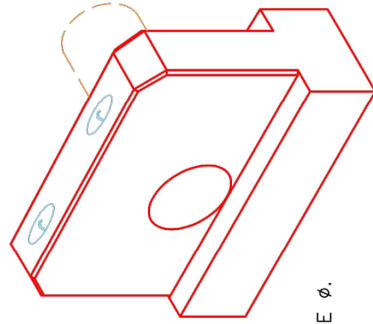


Structure ID: 31

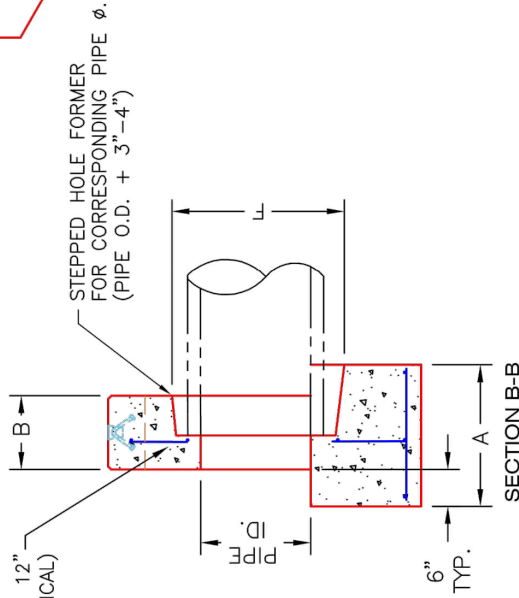
P1 HWKYTC-STD12

12" - STRAIGHT HEADWALL F/F

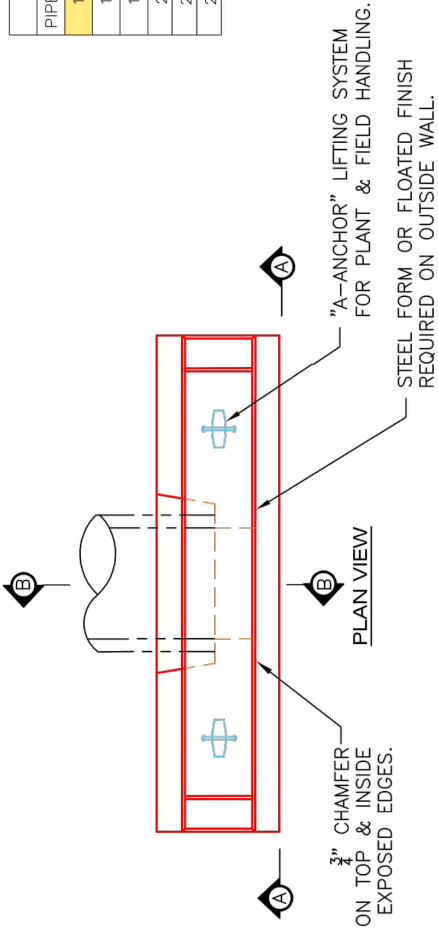
DIMENSIONS & QUANTITIES										
PIPE Ø ID.	A	B	C	D	E	F	G	H	J	WEIGHT
12"	2'-2"	1'-2"	4'-0"	2'-6"	1'-6"	20"	-	-	6'-0"	5,225 LBS.
15"	2'-3"	1'-3"	4'-3"	2'-9"	1'-6"	22"	-	-	6'-9"	6,500 LBS.
18"	2'-3"	1'-3"	4'-6"	3'-0"	1'-6"	26"	-	-	7'-6"	7,475 LBS.
21"	2'-4"	1'-4"	4'-9"	3'-3"	1'-6"	32"	-	-	8'-3"	8,885 LBS.
24"	2'-4"	1'-4"	5'-0"	3'-6"	1'-6"	34"	-	-	9'-0"	10,075 LBS.
27"	2'-6"	1'-6"	5'-3"	3'-9"	1'-6"	38"	-	-	9'-9"	12,270 LBS.



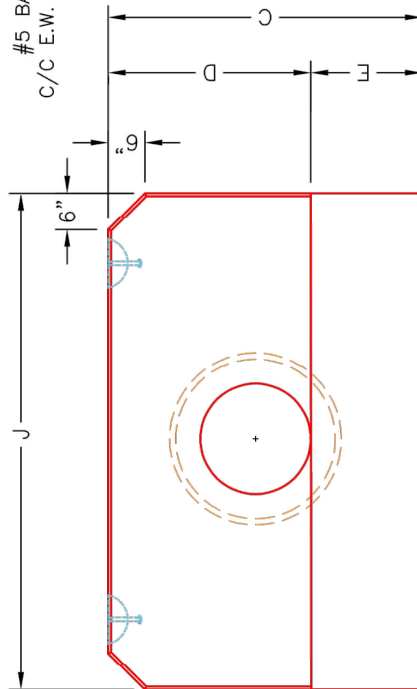
ISOMETRIC VIEW



SECTION B-B



PLAN VIEW



ELEVATION A-A

~NOTES:

1. CONCRETE: KYTC APPROVED.
2. REINFORCING: #5 BAR @ 12" C/C E.W. - GRADE 60, (WITH 2" CONCRETE COVER, MINIMUM)
3. REINFORCING BARS TO BE TACK WELDED OR TIED.
4. PIPE AND LIFTING ANCHOR POCKETS TO BE GROUTED WITH KYTC APPROVED NON-SHRINK GROUT.
5. DRAWING TO BE USED IN CONJUNCTION WITH KYTC STD. DRAWING RDH-005-02 AND THE STANDARD SPECIFICATIONS FOR ROAD AND BRIDGE CONSTRUCTION.
6. 3/4" CHAMFER ON ALL EXPOSED EDGES.
7. PREFORMED STEPPED HOLE SIZED AS PER O.D. OF PIPE + 3"-4".

APPROVED FOR DESIGN ONLY



INFRASTRUCTURE PRECAST, INC.
 981 WEST 7TH ST., BEAVER DAM, KY. 42320
 PHONE: (270) 363-2236; FAX: (270) 298-7424

KYTC 12"-27" STANDARD STRAIGHT HEADWALL
 (FOR CIRCULAR PIPE CULVERTS)

DRAWING NO.: KYTC STR-HW | DATE: 07-14-23
 REVIEWED BY: J.H. ROSS, PE | DRAWN BY: N. RICHARDS
 WEB: WWW.ICASTING.COM | SCALE: NTS