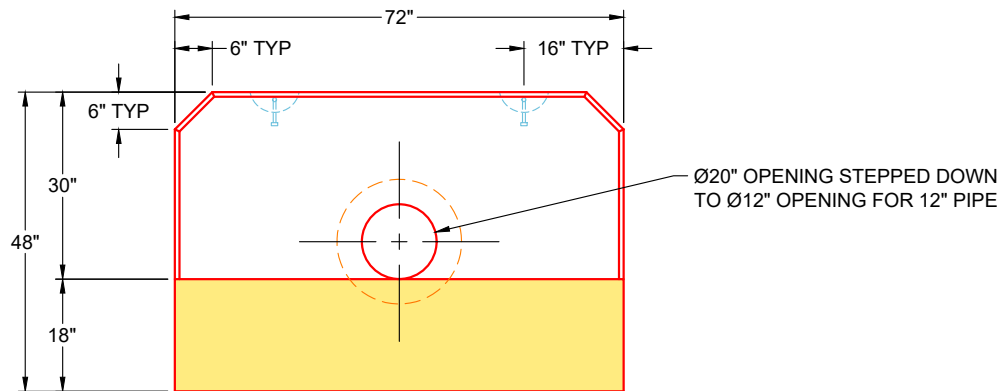
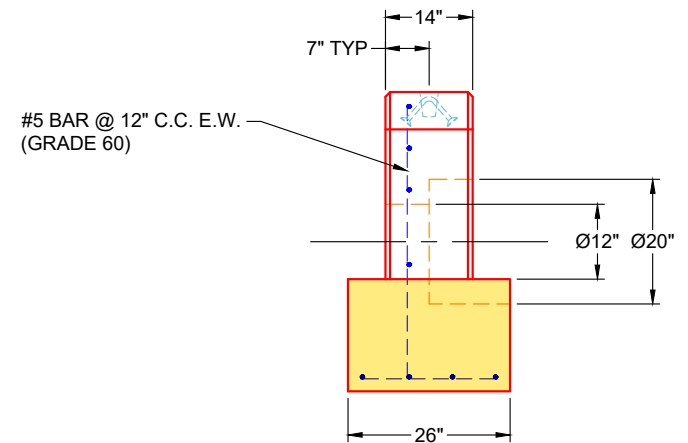


**PLAN VIEW**



**FRONT VIEW**



**SIDE VIEW**

**GENERAL NOTES:**

1. CONCRETE: KYTC APPROVED
2. REINFORCEMENT: #5 BAR @ 12" C.C E.W. (GRADE 60) - 2" MIN. REBAR CLEARANCE (TYP)
3. REINFORCING BARS TO BE TACK WELDED OR TIED
4. DRAWING TO BE USED IN CONJUNCTION WITH KYTC STD. DRAWINGS RDH-005-02 & THE STANDARD SPECIFICATIONS FOR ROAD & BRIDGE CONSTRUCTION
5. 3/4" CHAMFER ON ALL EXPOSED EDGES
6. WEIGHT: 5,025 LBS  
- FIRST POUR: 2,780 LBS  
- SECOND POUR: 2,245 LBS

**PRODUCTION WORK ORDER**

PRODUCT I.D.: HWKYTC-STD12

DESCRIPTION: 12" KYTC STANDARD STRAIGHT HW



**QUALITY CONTROL CHECKLIST**

- ALL DIMENSIONS CORRECT.
- LIFTERS INSTALLED.
- OPENING CENTERED.
- REINFORCING CORRECT.
- SURFACE QUALITY ACCEPTABLE.
- EDGES CHAMFERED.
- ALL PATCHWORK ACCEPTABLE.

PRODUCT VIEW: RIGHT SIDE UP

CUSTOMER: CORNELL HARBISON EXCAVATING

PLANT: BEAVER DAM, KY

PROJECT: WHISPERING OAKS SUBDIVISION

WEIGHT: 5,025 LBS

STRUCTURE: 31

TOP SECTION JOINT: N / A

ORDER NO: 25-2686

BASE SECTION JOINT: N / A

PE: J.H. ROSS

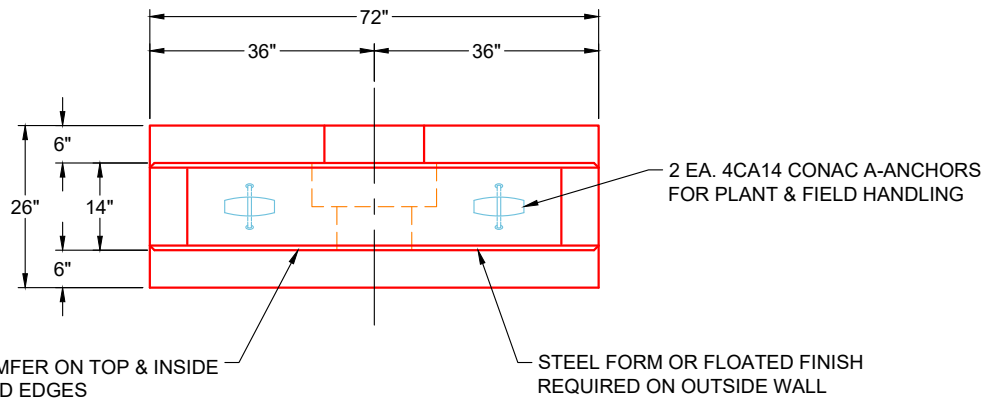
DRAWING: K. CARDWELL

QC CHECK INITIALS:

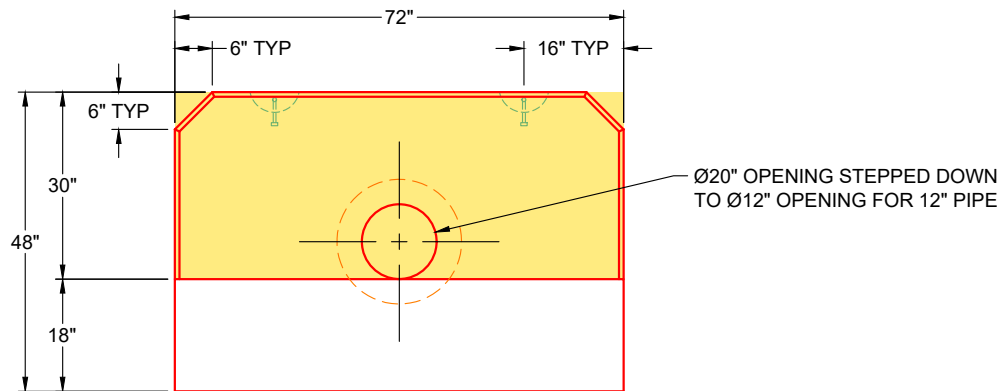
DATE: 02/06/26

SCALE: NTS

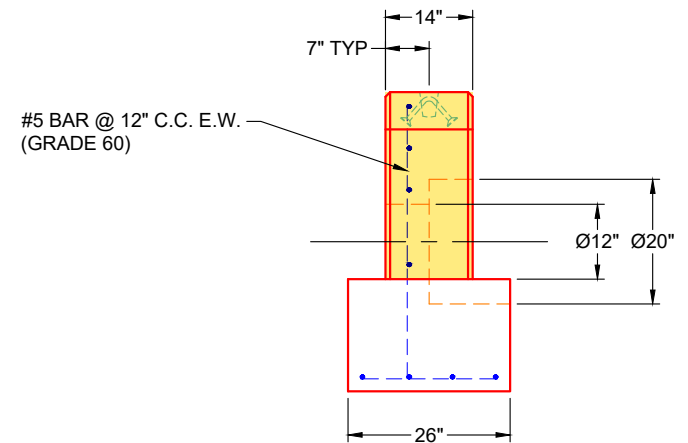
PG. 1 OF 1



**PLAN VIEW**



**FRONT VIEW**



**SIDE VIEW**

**GENERAL NOTES:**

1. CONCRETE: KYTC APPROVED
2. REINFORCEMENT: #5 BAR @ 12" C.C E.W. (GRADE 60) - 2" MIN. REBAR CLEARANCE (TYP)
3. REINFORCING BARS TO BE TACK WELDED OR TIED
4. DRAWING TO BE USED IN CONJUNCTION WITH KYTC STD. DRAWINGS RDH-005-02 & THE STANDARD SPECIFICATIONS FOR ROAD & BRIDGE CONSTRUCTION
5. 3/4" CHAMFER ON ALL EXPOSED EDGES
6. WEIGHT: 5,025 LBS  
- FIRST POUR: 2,780 LBS  
- SECOND POUR: 2,245 LBS

**PRODUCTION WORK ORDER**

PRODUCT I.D.: HWKYTC-STD12

DESCRIPTION: 12" KYTC STANDARD STRAIGHT HW



**QUALITY CONTROL CHECKLIST**

- ALL DIMENSIONS CORRECT.
- LIFTERS INSTALLED.
- OPENING CENTERED.
- REINFORCING CORRECT.
- SURFACE QUALITY ACCEPTABLE.
- EDGES CHAMFERED.
- ALL PATCHWORK ACCEPTABLE.

PRODUCT VIEW: RIGHT SIDE UP

CUSTOMER: CORNELL HARBISON EXCAVATING

PLANT: BEAVER DAM, KY

PROJECT: WHISPERING OAKS SUBDIVISION

WEIGHT: 5,025 LBS

STRUCTURE: 31

TOP SECTION JOINT: N / A

ORDER NO: 25-2686

BASE SECTION JOINT: N / A

PE: J.H. ROSS

DRAWING: K. CARDWELL

QC CHECK INITIALS:

DATE: 02/06/26

SCALE: NTS

PG. 1 OF 1