

Job Name: 25-2675 Shelby Co Storm Shelter Ph. 1
 Job Location: Shelbyville, KY
 Contractor: Trademark Excavating

Plant: Beaver Dam

Tech: J. Coppage

10/10/2025 8:50:36 AM

PC: C. Goff



Structure ID: Diversion Structure

P2 MH048LD12

MH FLAT TOP w/ 24" Center Hole F/G

- P4) 24" - CASTING HEIGHT - 7"
- P3) 24" - GRADE RING F/F - 3"
- P2) 48" - MH FLAT TOP w/ 24" Center Hole F/G - 12"
- P1) 48" - MH BASE T/n - 36"
- 1) WEIR WALL - SECONDARY POUR
- 1) 48" - SGL 1"x14.5' Butyl (2x)
- 1) Hole - 24
- 1) Hole - 18
- 2) Hole - 14

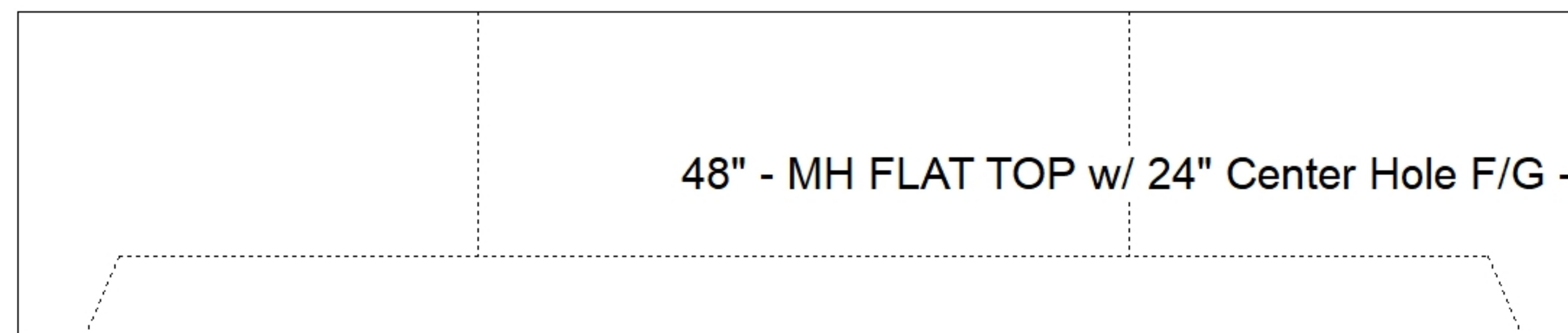
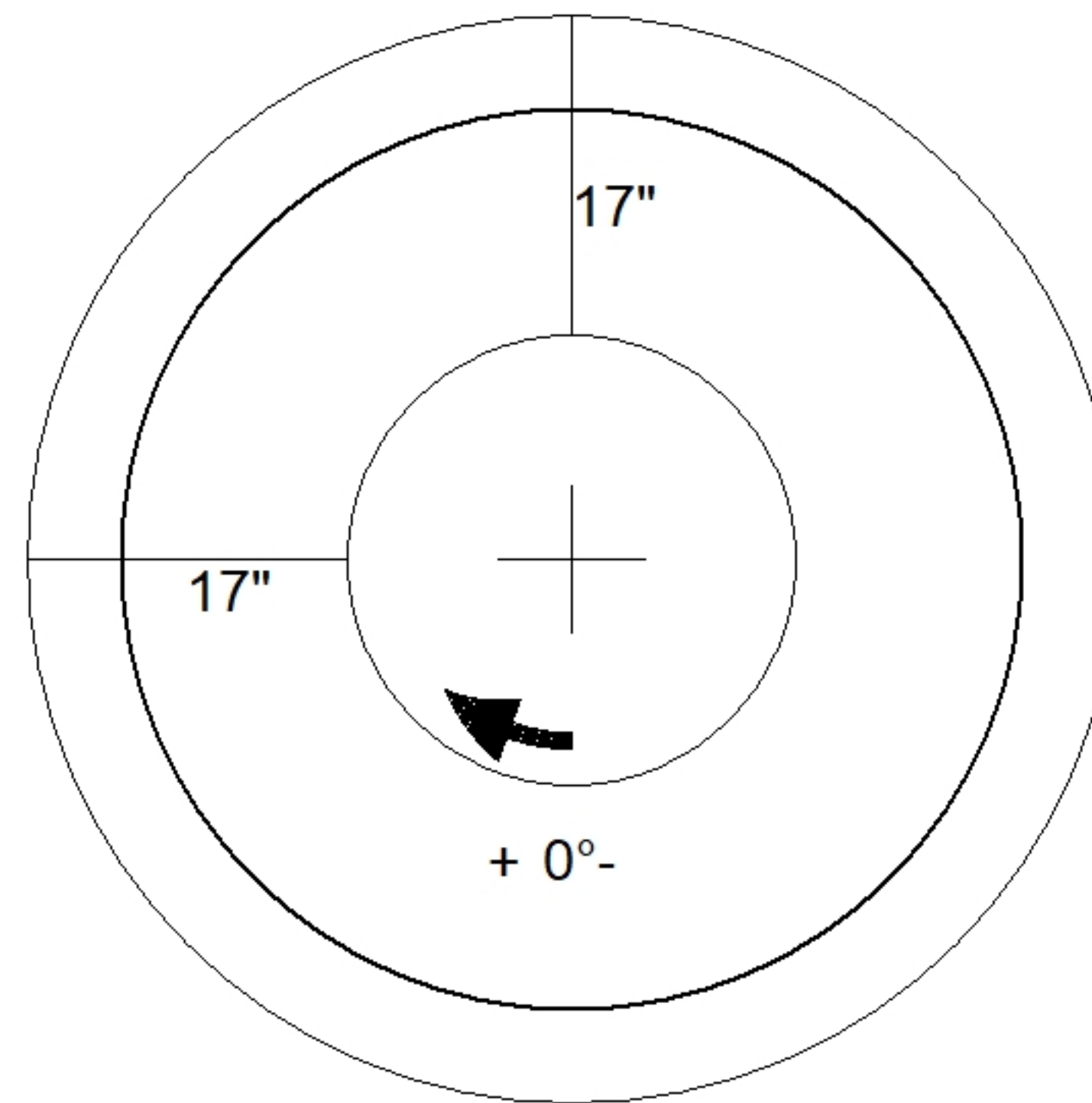
0 lb
 202 lb
 1700 lb
 3408 lb
 320 lb
 0 lb
 0 lb
 0 lb
 0 lb

 5631 lb

Structure Total:

Structure Notes:

1. (7" TALL CASTING BY OTHERS)
2. PER ASTM C478 SPECIFICATIONS.
3. CONCRETE = 4,000 PSI AT 28 DAYS.
4. REINFORCING PER ASTM A615 (GRADE 60).
 - TOP SLAB (As .62) #5 BARS AT 6" C.C.E.W..
 - RISER/WALLS (As .12)
 - FLOOR (As .31) #5 BARS AT 12" C.C.E.W.



Coating (Int):
 Coating (Ext):

Seam Up: Flat
 Seam Dn: Groove

Wall Thickness: 5"

Height (Ext): 12"

Weight (Net): 1700 lb
 Volume (Net): 0.42cu.yd