

Structure ID: Diversion Structure

P1 MH048BA36

MH BASE T/n

P4) 24" - CASTING HEIGHT - 7" P3) 24" - GRADE RING F/F - 3" P2) 48" - MH FLAT TOP w/ 24" Center Hole F/G - 12" P1) 48" - MH BASE T/n - 36" 1) WEIR WALL - SECONDARY POUR 1) 48" - SGL 1"x14.5' Butyl (2x) 1) Hole - 24 1) Hole - 18 2) Hole - 14	0 lb 202 lb 1700 lb 3408 lb 320 lb 0 lb 0 lb 0 lb 0 lb 0 lb ----- Structure Total: 5631 lb
--	--

Structure Notes:

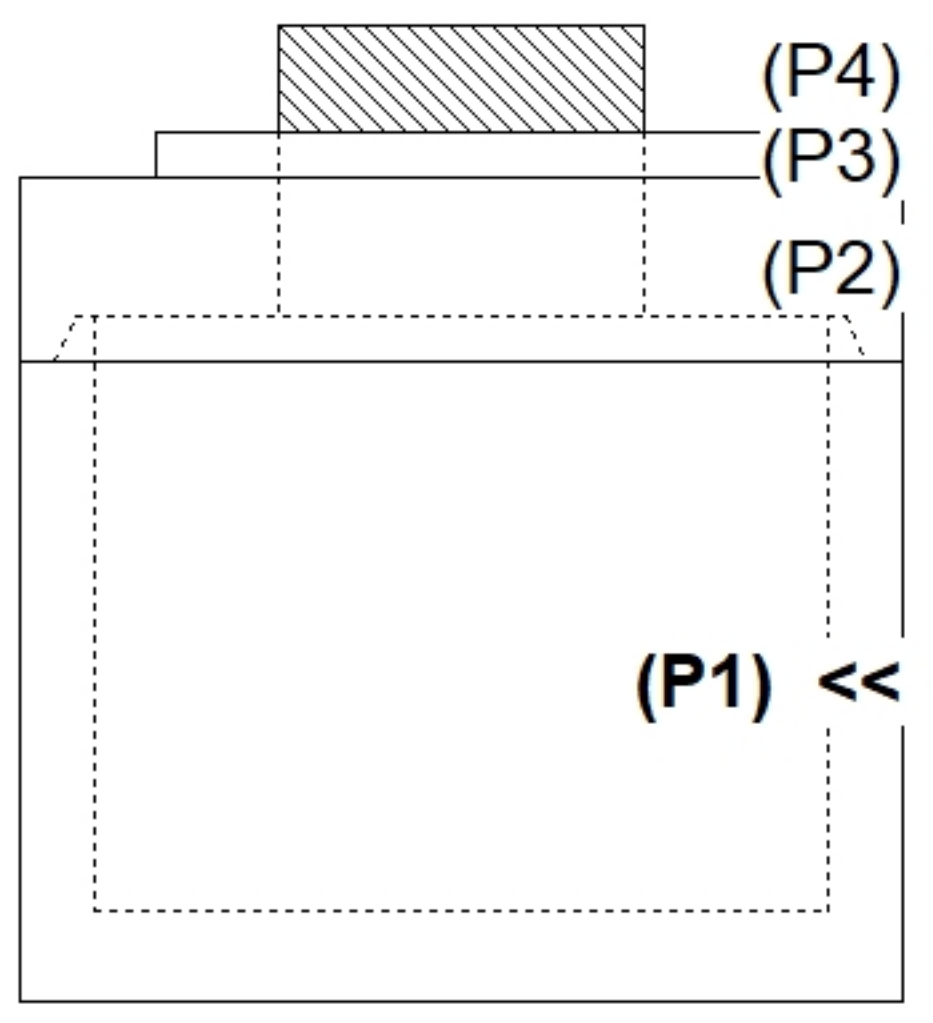
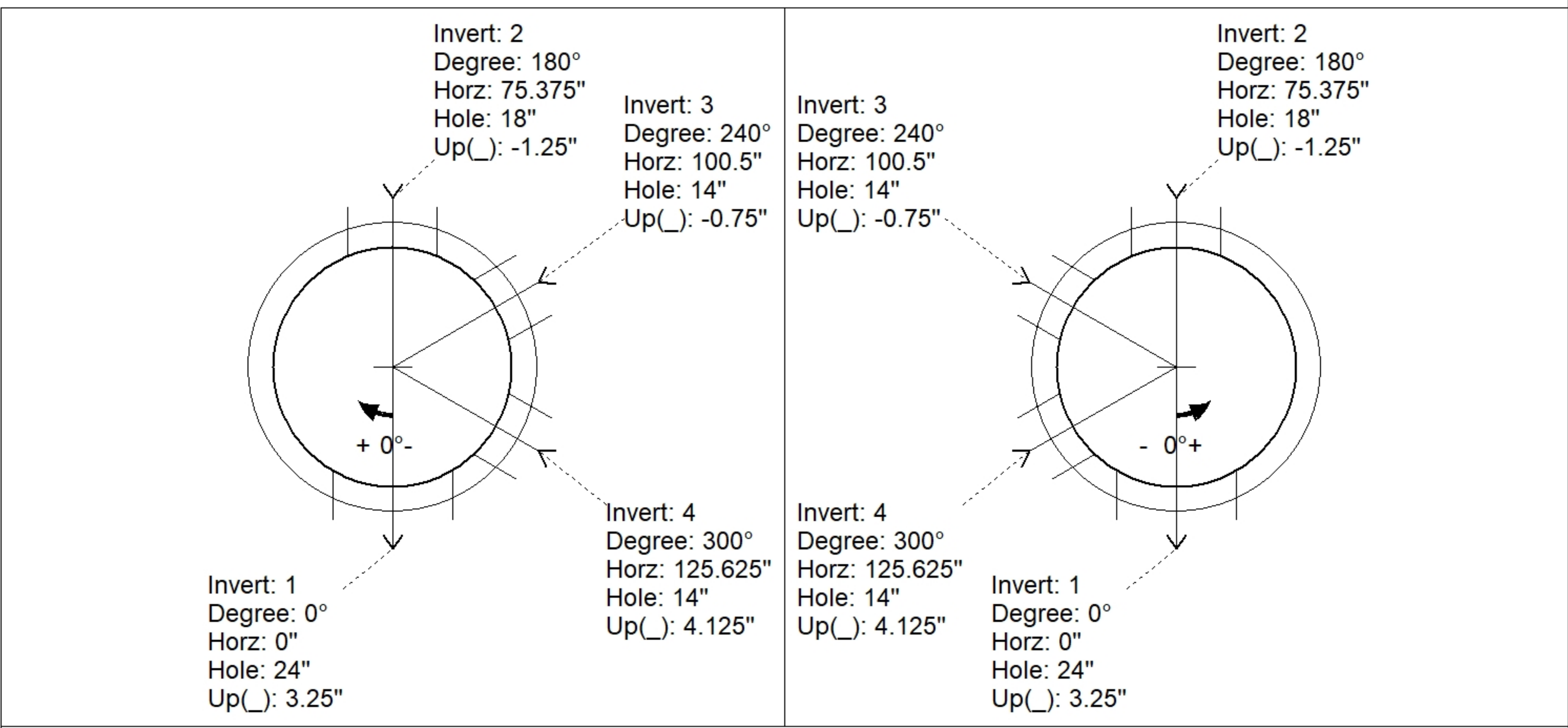
1. (7" TALL CASTING BY OTHERS)
2. PER ASTM C478 SPECIFICATIONS.
3. CONCRETE = 4,000 PSI AT 28 DAYS.
4. REINFORCING PER ASTM A615 (GRADE 60).
 - TOP SLAB (As .62) #5 BARS AT 6" C.C.E.W..
 - RISER/WALLS (As .12)
 - FLOOR (As .31) #5 BARS AT 12" C.C.E.W.

Rim: 735.9' Rim to Invert: 4.9' Slack: 0.8" Sump: 0" Step Position:

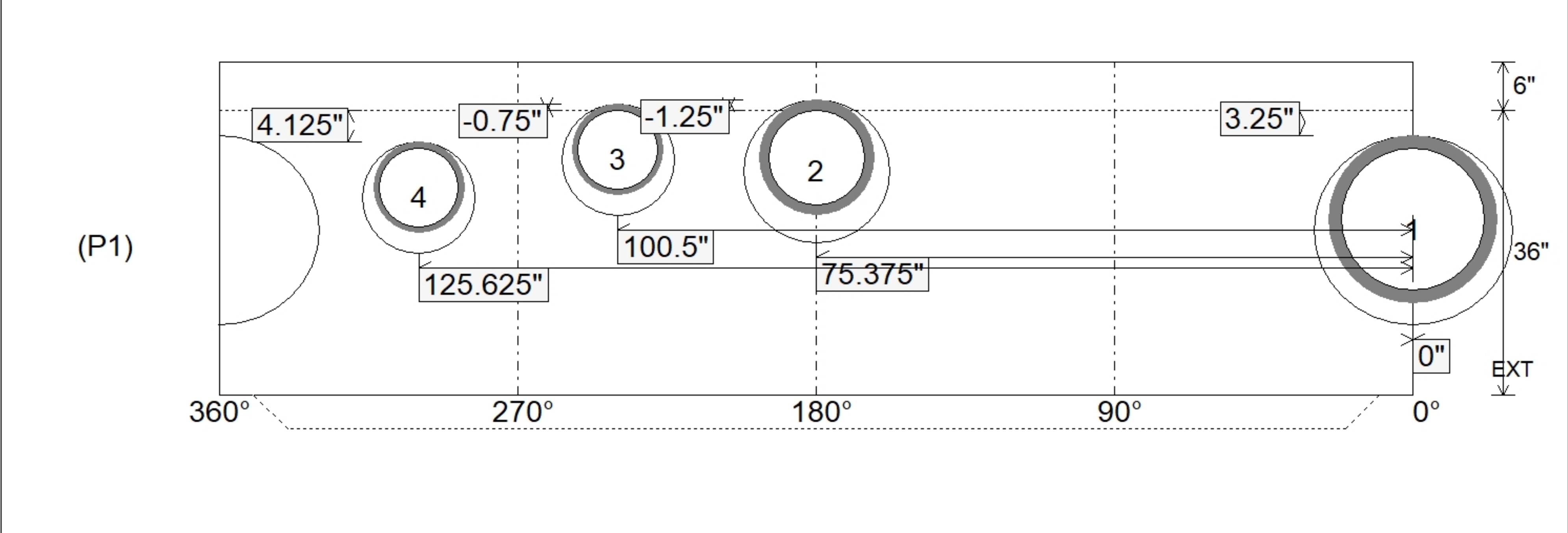
Position	Elev	Angle	Ext. (cw)	Pipe	Pipe OD	Connector	Hole	Horz Size	Up ()	Offset
Invert 1	731.4'	0°	0"	18" HDPE	21.2"	Hole 24	24"	25.133"	3.25"	0"
Invert 2	731'	180°	91.125"	12" HDPE	14.5"	Hole 18	18"	18.451"	-1.25"	0"
Invert 3	731'	240°	121.5"	10" HDPE	11.4"	Hole 14	14"	14.207"	-0.75"	0"
Invert 4	731.4'	300°	151.875"	10" HDPE	11.4"	Hole 14	14"	14.207"	4.125"	0"
Invert 5										
Invert 6										
Invert 7										
Invert 8										

RIGHT-SIDE UP VIEW (int. dimensions)

UPSIDE-DOWN VIEW (int. dimensions)



INSIDE WALL DIMENSIONS



Coating (Int): Coating (Ext):	Seam Up: Tongue Seam Dn: n/a	Wall Thickness: 5" Floor Height: 6"	Height (Int): 36" Height (Ext): 42"	Weight (Net): 3408 lb Volume (Net): 0.87cu.yd
----------------------------------	---------------------------------	--	--	--