

Structure ID: CBI-1F

P1 MH048BA48

MH BASE T/n

P4) 24" x 24" - CASTING HEIGHT - 7" P3) 24" x 24" - GRADE RING F/F - 3" P2) 48" - MH FLAT TOP w/24"x24" Hole F/G - 12" P1) 48" - MH BASE T/n - 48" 1) 48" - SGL 1"x14.5' Butyl (2x) 3) Hole - 18 4) MH Step ML-10-TDS-NCR - 10"	0 lb 258 lb 2080 lb 4356 lb 0 lb 0 lb 0 lb ----- Structure Total: 6695 lb
---	---

Structure Notes:

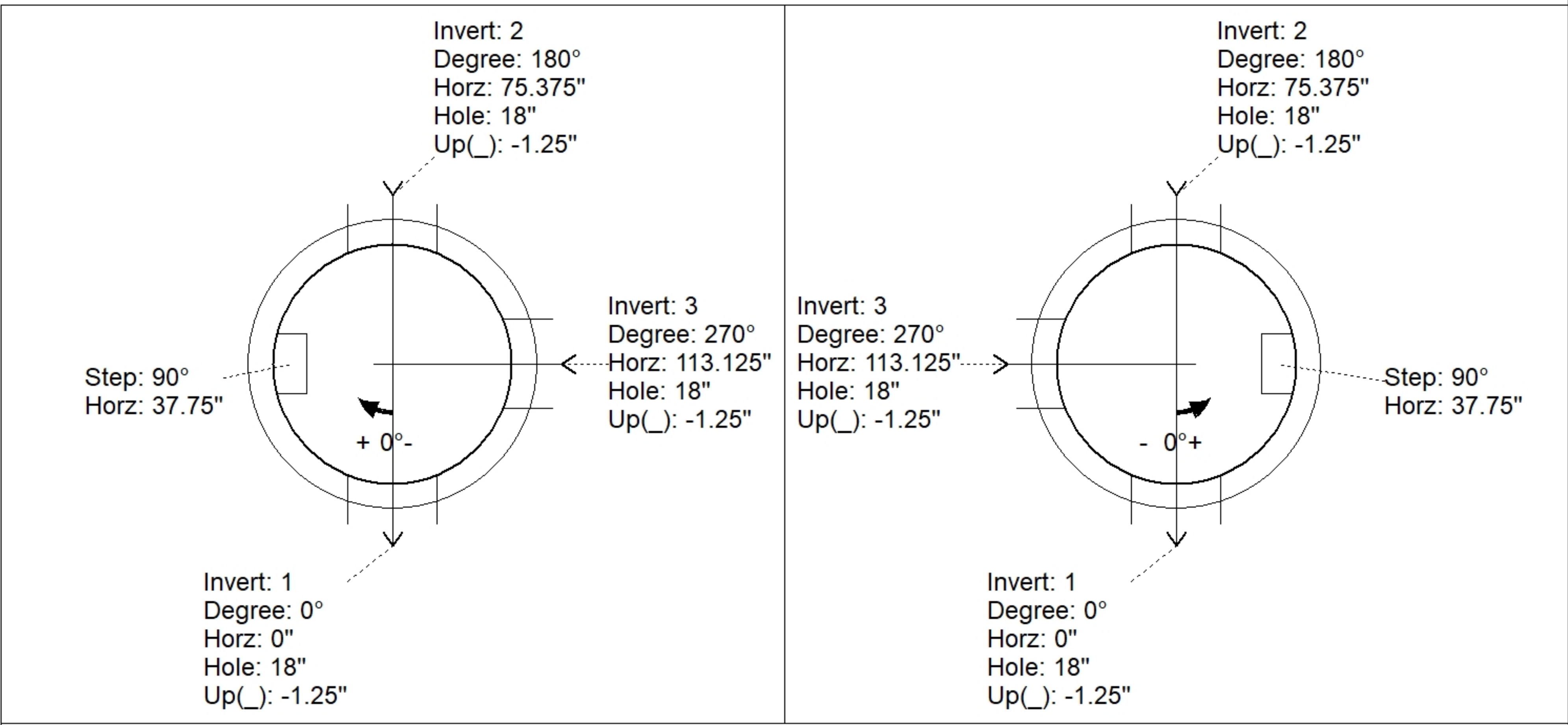
1. (7" TALL CASTING BY OTHERS)
2. PER ASTM C478 SPECIFICATIONS.
3. CONCRETE = 4,000 PSI AT 28 DAYS.
4. REINFORCING PER ASTM A615 (GRADE 60).
 - TOP SLAB (As .62) #5 BARS AT 6" C.C.E.W..
 - RISER/WALLS (As .12)
 - FLOOR (As .31) #5 BARS AT 12" C.C.E.W.

Rim: 738' Rim to Invert: 6' Slack: 2" Sump: 0" Step Position: 90

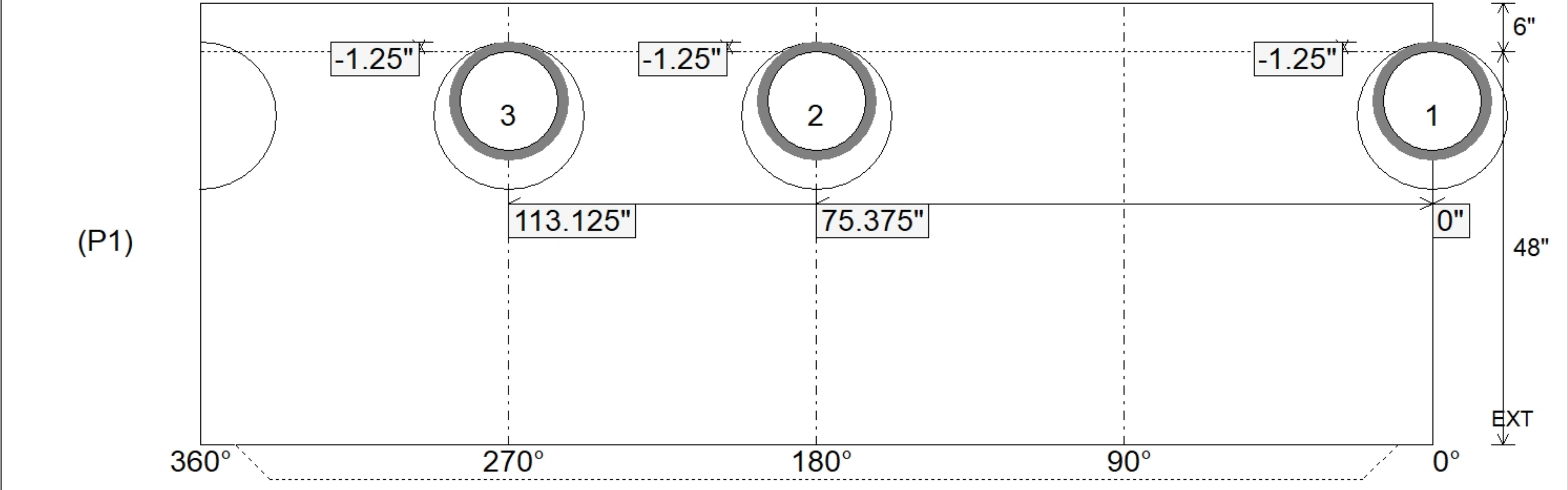
Position	Elev	Angle	Ext. (cw)	Pipe	Pipe OD	Connector	Hole	Horz Size	Up ()	Offset
Invert 1	732'	0°	0"	12" HDPE	14.5"	Hole 18	18"	18.451"	-1.25"	0"
Invert 2	732'	180°	91.125"	12" HDPE	14.5"	Hole 18	18"	18.451"	-1.25"	0"
Invert 3	732'	270°	136.625"	12" HDPE	14.5"	Hole 18	18"	18.451"	-1.25"	0"
Invert 4										
Invert 5										
Invert 6										
Invert 7										
Invert 8										

RIGHT-SIDE UP VIEW (int. dimensions)

UPSIDE-DOWN VIEW (int. dimensions)



INSIDE WALL DIMENSIONS



Coating (Int):	Seam Up: Tongue	Wall Thickness: 5"	Height (Int): 48"	Weight (Net): 4356 lb
Coating (Ext):	Seam Dn: n/a	Floor Height: 6"	Height (Ext): 54"	Volume (Net): 1.11cu.yd