

Job Name: 25-2675 Shelby Co Storm Shelter Ph. 1
Job Location: Shelbyville, KY
Contractor: Trademark Excavating

PC: C. Goff
 TECH: J. Coppage
 Plant: Beaver Dam



Structure ID: CBI-1E

Spec: Storm
 Type: STM.MH (Recessed pipe)
 Size: 48"

Rim: 740.65'
 Invert: 733.5'
 Rim to Invert: 7.15'

Sump: 0"
 Floor (Top): 733.5'
 Floor Height: 6"

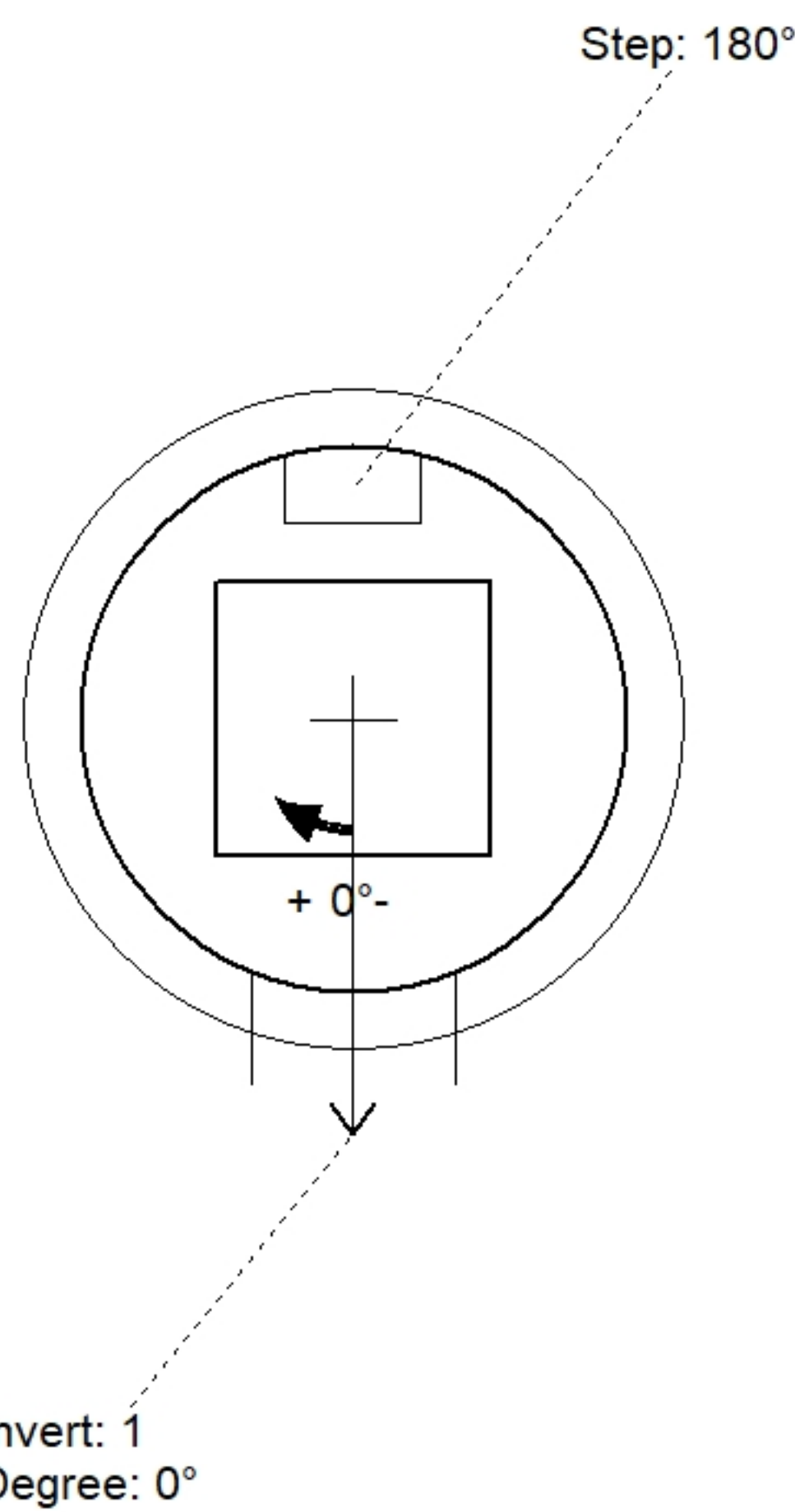
Floor (Bot): 733'
 Overall Height: 7.583'
 Slack: 0.8"

Structure Notes:

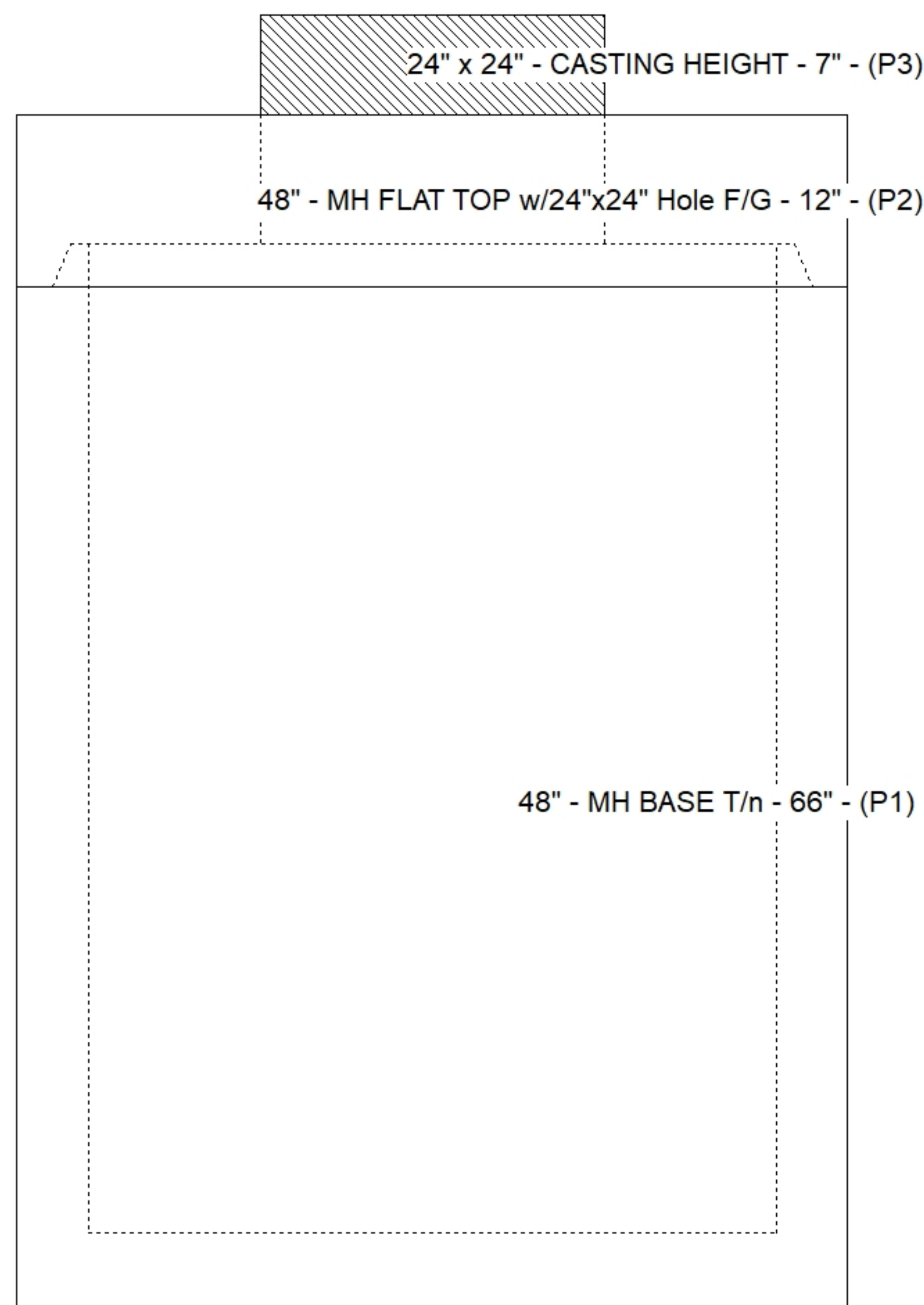
1. (7" TALL CASTING BY OTHERS)
2. PER ASTM C478 SPECIFICATIONS.
3. CONCRETE = 4,000 PSI AT 28 DAYS.
4. REINFORCING PER ASTM A615 (GRADE 60).
 - TOP SLAB (As .62) #5 BARS AT 6" C.C.E.W..
 - RISER/WALLS (As .12)
 - FLOOR (As .31) #5 BARS AT 12" C.C.E.W.

STRUCTURE SUMMARY:

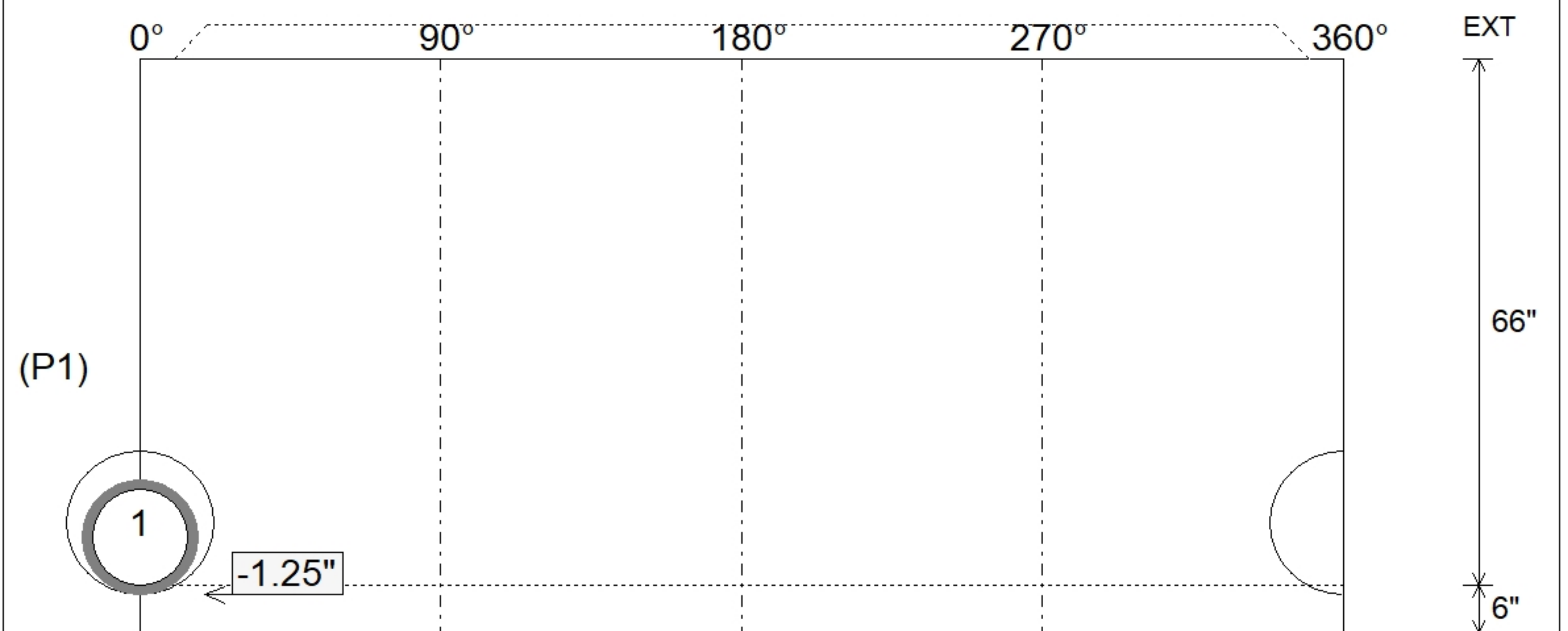
P3) 24" x 24" - CASTING HEIGHT - 7"	0 lb
P2) 48" - MH FLAT TOP w/24"x24" Hole F/G - 12"	2080 lb
P1) 48" - MH BASE T/n - 66"	5832 lb
1) 48" - SGL 1"x14.5' Butyl (2x)	0 lb
1) Hole - 18	0 lb
6) MH Step ML-10-TDS-NCR - 10"	0 lb
Structure Total:	7912 lb



Position	Elev	Angle	Pipe	Pipe OD	Hole	Connector	Up ()	Ref
Rim	740.65'							
Reducer								
Invert 1	733.5'	0°	12" HDPE	14.5"	18"	Hole 18	-1.25"	P1
Invert 2								
Invert 3								
Invert 4								
Invert 5								
Invert 6								
Invert 7								
Invert 8								



Cast (Int. Dim.) - Interior Dimensions



Submittal Drawing
 10/10/2025 8:49:37 AM

SUBMITTAL
 APPROVED BY: