

Job Name: 25-2675 Shelby Co Storm Shelter Ph. 1
 Job Location: Shelbyville, KY
 Contractor: Trademark Excavating

Plant: Beaver Dam

Tech: J. Coppage

10/10/2025 8:50:35 AM

PC: C. Goff



Structure ID: CBI-1E

P2 MH048LD12-24SQ

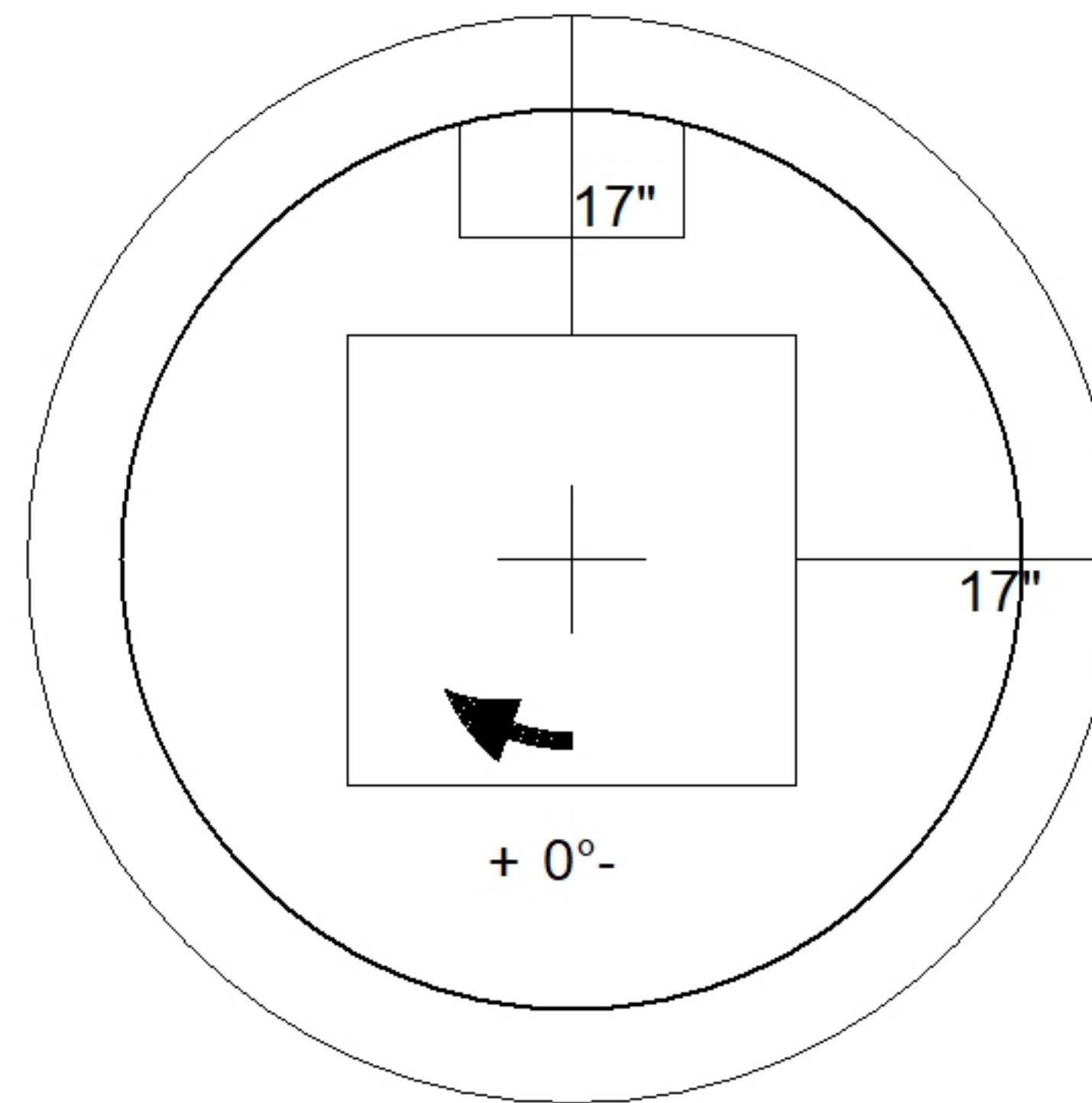
MH FLAT TOP w/24"x24" Hole F/G

- P3) 24" x 24" - CASTING HEIGHT - 7"
- P2) 48" - MH FLAT TOP w/24"x24" Hole F/G - 12"
- P1) 48" - MH BASE T/n - 66"
- 1) 48" - SGL 1"x14.5' Butyl (2x)
- 1) Hole - 18
- 6) MH Step ML-10-TDS-NCR - 10"

0 lb
 2080 lb
 5832 lb
 0 lb
 0 lb
 0 lb

 Structure Total: 7912 lb

Structure Notes:
 1. (7" TALL CASTING BY OTHERS)
 2. PER ASTM C478 SPECIFICATIONS.
 3. CONCRETE = 4,000 PSI AT 28 DAYS.
 4. REINFORCING PER ASTM A615 (GRADE 60).
 - TOP SLAB (As .62) #5 BARS AT 6" C.C.E.W..
 - RISER/WALLS (As .12)
 - FLOOR (As .31) #5 BARS AT 12" C.C.E.W.



Coating (Int):
 Coating (Ext):

Seam Up: Flat
 Seam Dn: Groove

Wall Thickness: 5"

Height (Ext): 12"

Weight (Net): 2080 lb
 Volume (Net): 0.53cu.yd