

**Structure ID: CBI-1B**

**P1 BX2424-08BA54**

**BOX BASE 8inW, 8inF F/n**

- P2) 24" x 24" - CASTING HEIGHT - 7"
- P1) 24" x 24" - BOX BASE 8inW, 8inF F/n - 54"
- 1) 24" x 24" - SGL 1"x14.5' Butyl
- 1) Hole - 18

	0 lb
	5532 lb
	0 lb
	0 lb
Structure Total:	5532 lb

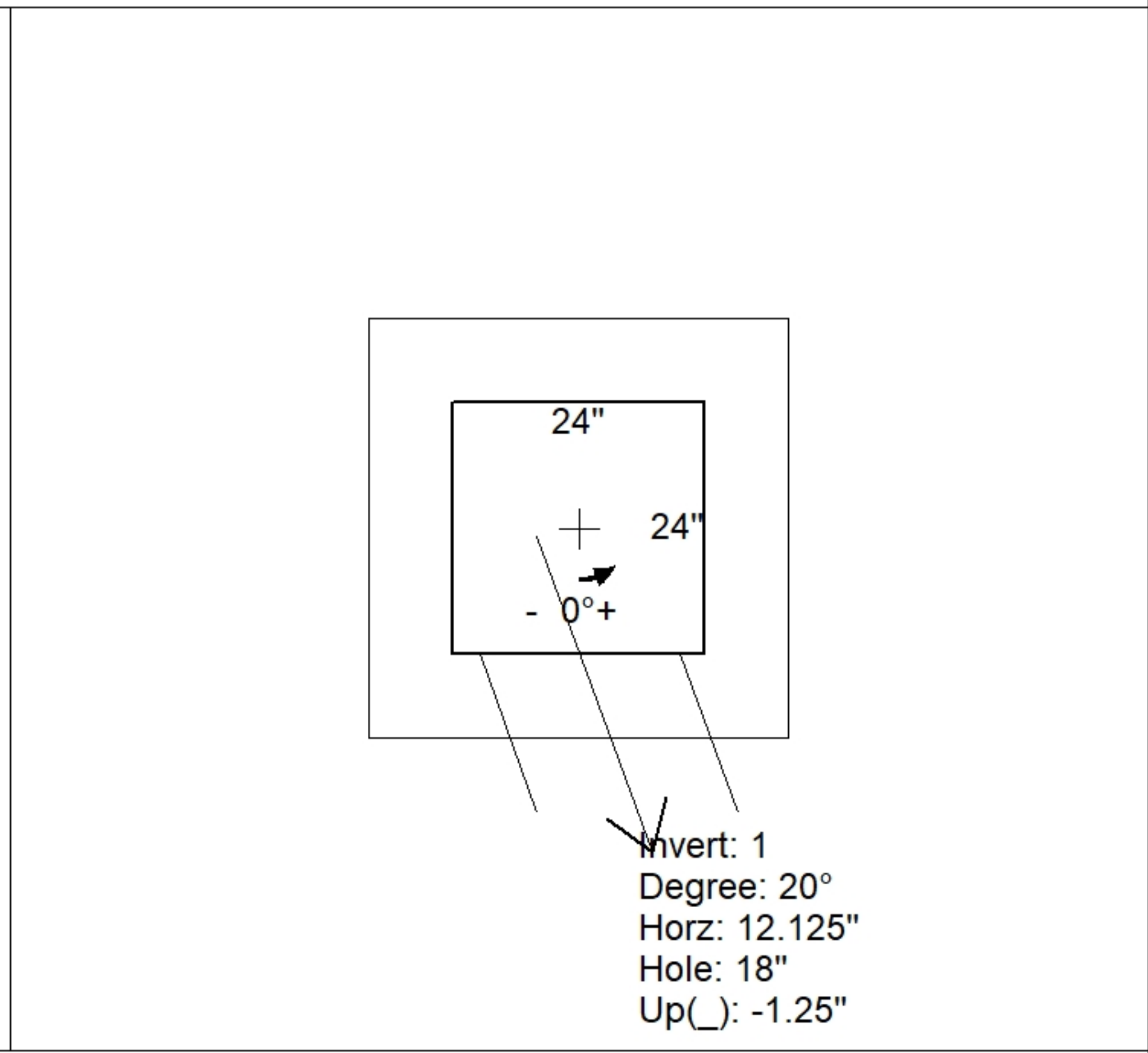
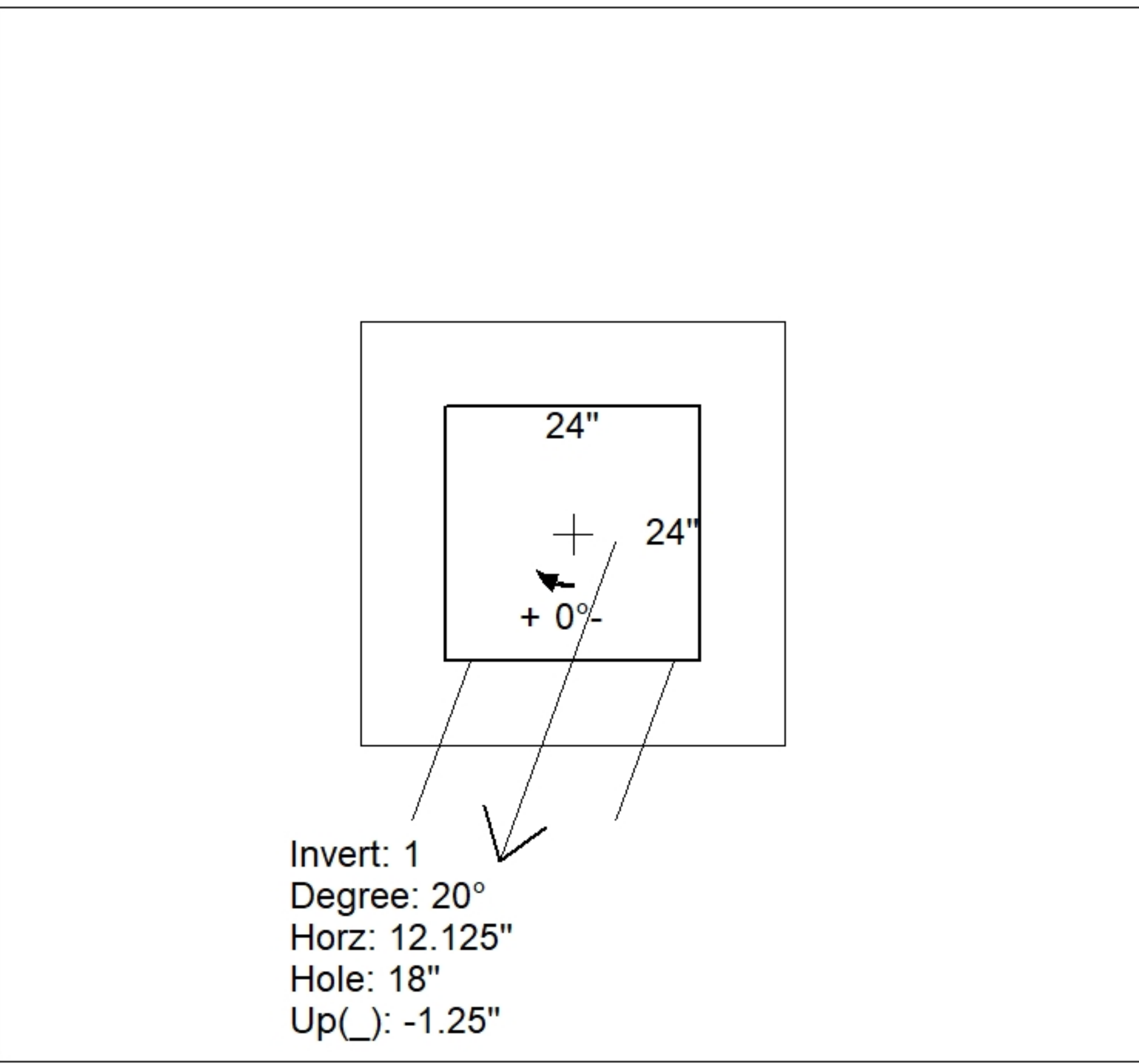
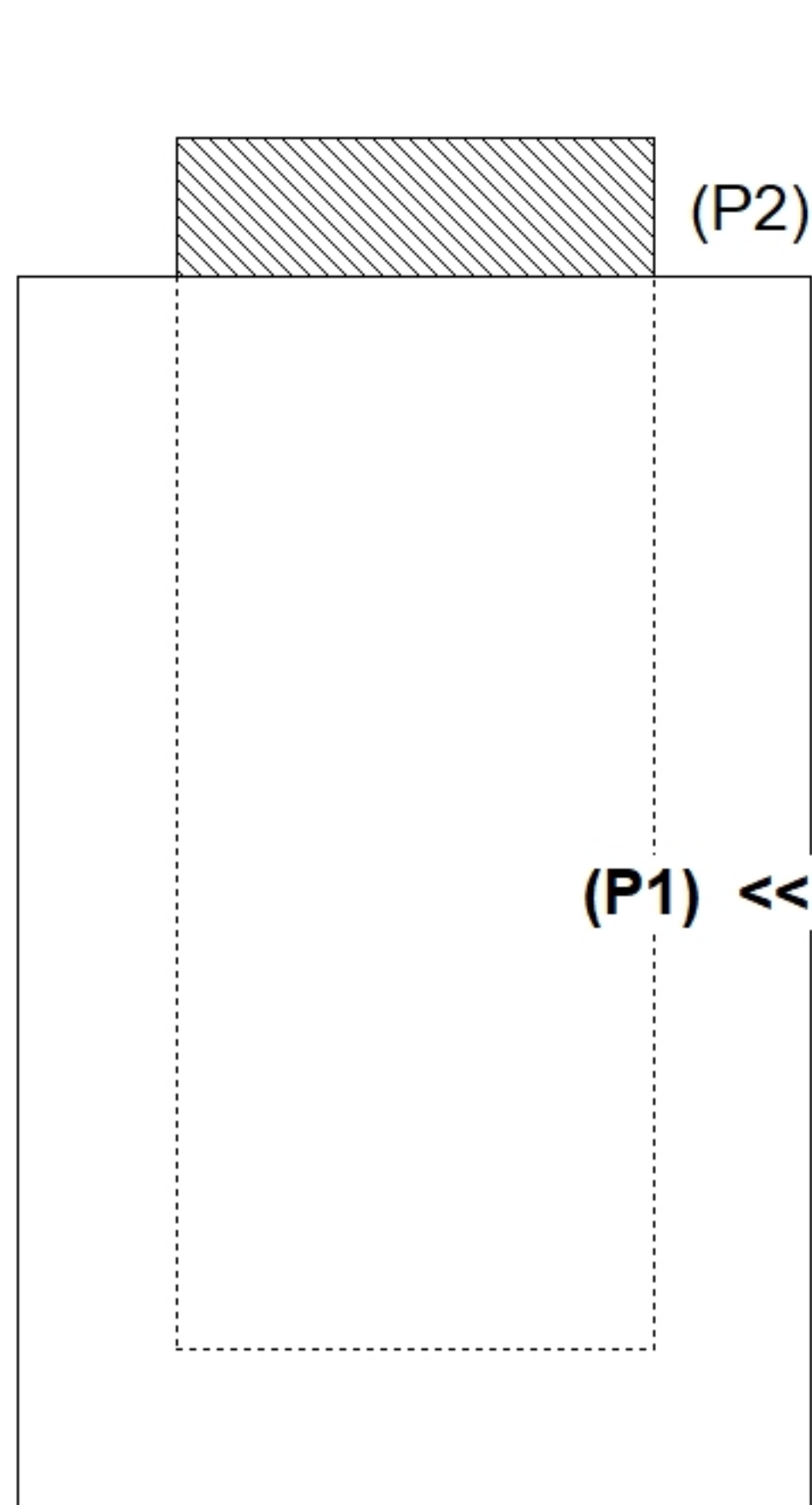
- Structure Notes:
1. (7" TALL CASTING BY OTHERS)
  2. PER ASTM C913 SPECIFICATIONS.
  3. CONCRETE = 4,000 PSI AT 28 DAYS.
  4. REINFORCING PER ASTM A615 (GRADE 60).
- WALLS (As .12) #5 BARS AT 12" C.C.E.W.
  - FLOOR (As .12) #5 BARS AT 12" C.C.E.W.

Rim: 743.1'      Rim to Invert: 5.1'      Slack: 0.2"      Sump: 0"      Step Position:

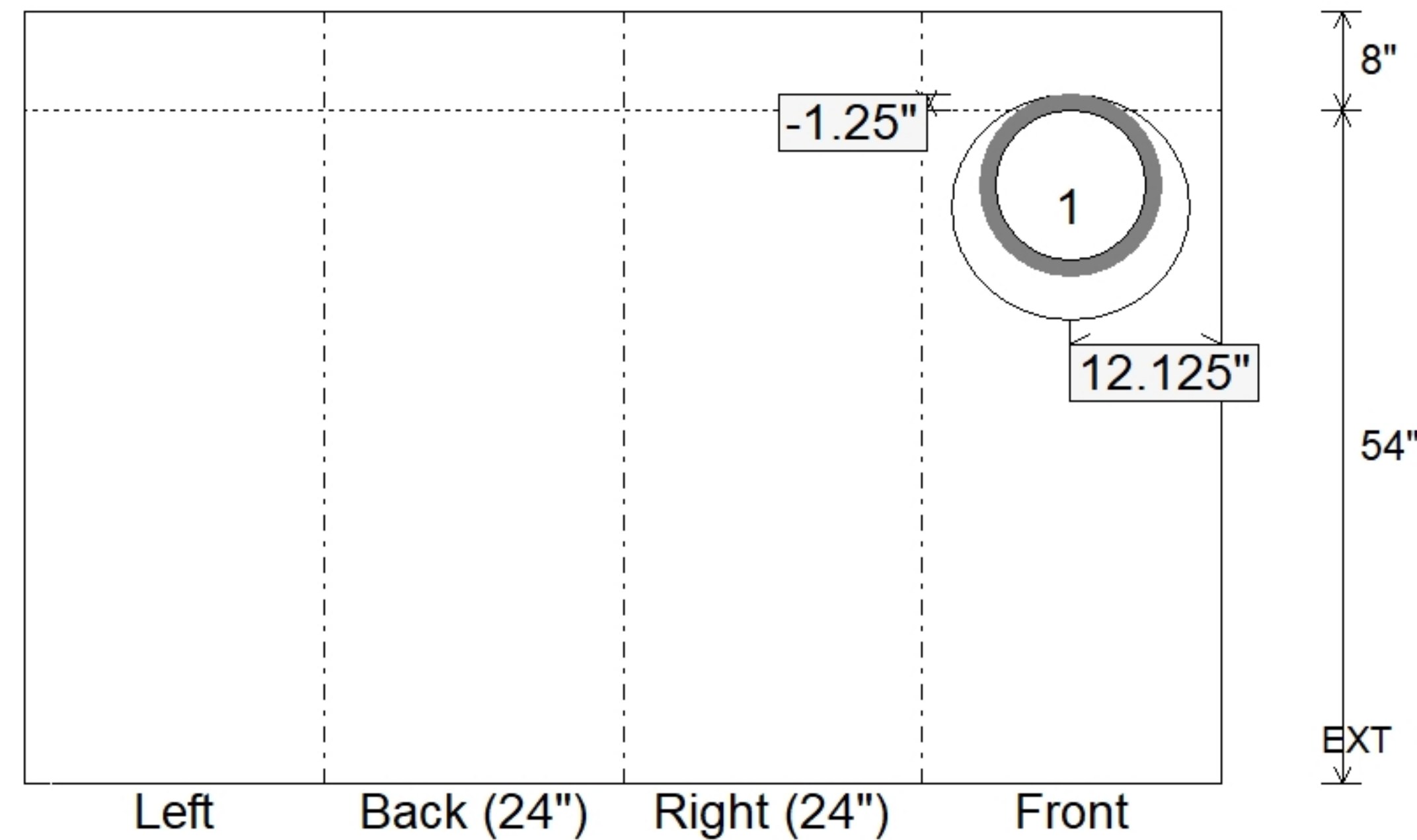
Position	Elev	Angle	Ext. (cw)	Pipe	Pipe OD	Connector	Hole	Horz Size	Up ( )	Offset
Invert 1	738'	20°	23"	12" HDPE	14.5"	Hole 18	18"	19.155"	-1.25"	-4"
Invert 2										
Invert 3										
Invert 4										
Invert 5										
Invert 6										
Invert 7										
Invert 8										

RIGHT-SIDE UP VIEW (int. dimensions)

UPSIDE-DOWN VIEW (int. dimensions)



INSIDE WALL DIMENSIONS



Coating (Int):	Seam Up: Flat	Wall Thickness: 8"	Height (Int): 54"
Coating (Ext):	Seam Dn: n/a	Floor Height: 8"	Height (Ext): 62"
		Weight (Net): 5532 lb	
		Volume (Net): 1.41cu.yd	