

Structure ID: SSMH C2

P2 MH048RS30

MH RISER T/G

- P4) 24" - CASTING HEIGHT - 7"
- P3) 48" - ECC CONE w/ 24" HOLE F/G - 42"
- P2) 48" - MH RISER T/G - 30"
- P1) 48" - MH BASE T/n - 18"
- 1) CASTING - HOE MC-315 F/C Sanitary
- 2) 48" - DBL 1"x14.5' Butyl (2x)
- 1) PSX - 12-08 NYLO
- 4) PSX - 8QRS-S NYLO
- 8) MH Step ML-10-TDS-NCR - 10"

0 lb
 3200 lb
 2096 lb
 2455 lb
 258 lb
 0 lb
 8 lb
 26 lb
 0 lb

 Structure Total: 8043 lb

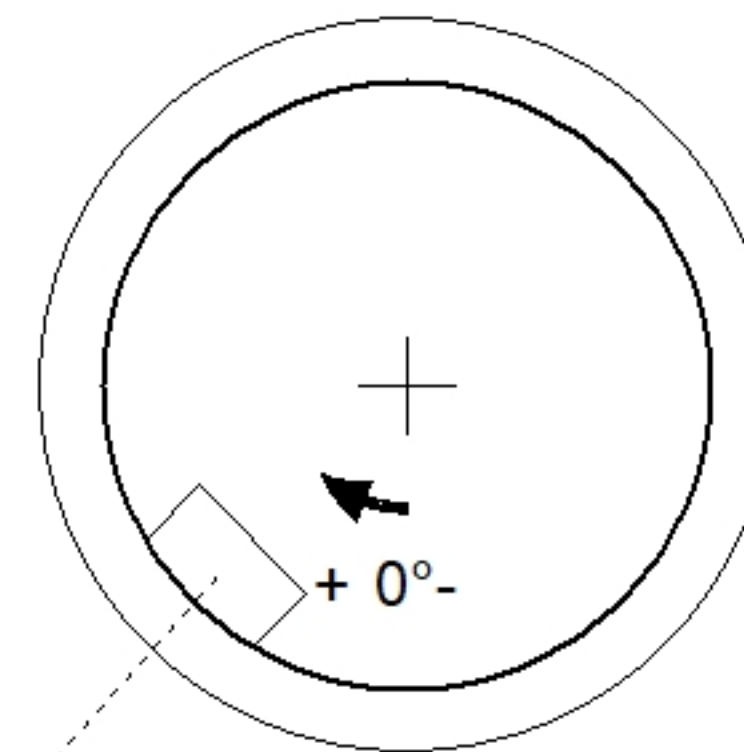
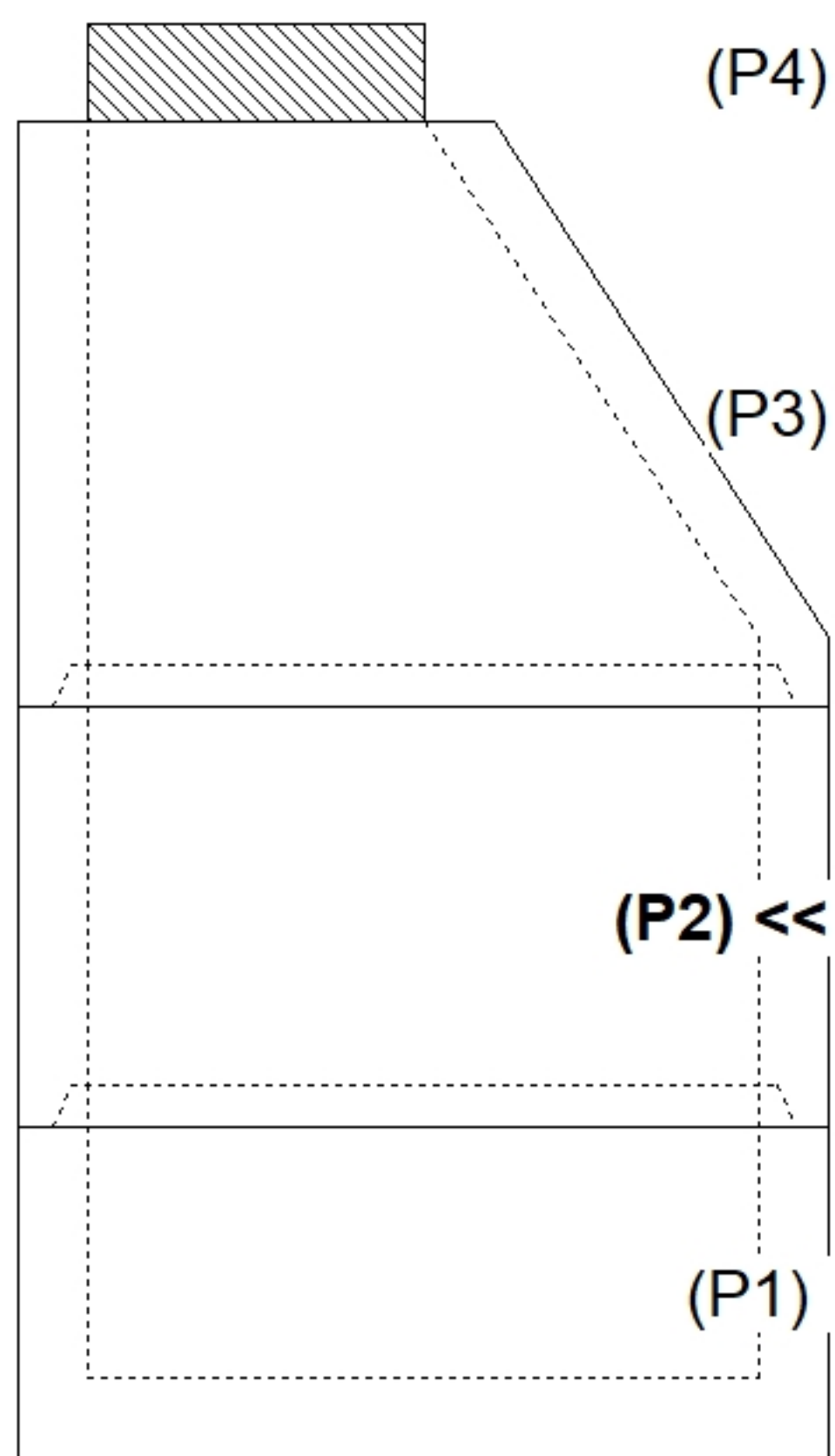
Structure Notes:

1. PER ASTM C478 SPECIFICATIONS.
2. CONCRETE = 4,000 PSI AT 28 DAYS.
3. REINFORCING PER ASTM A615 (GRADE 60).
 - CONE (As .12)
 - RISER/WALLS (As .12)
 - FLOOR (As .31) #5 BARS AT 12" C.C.E.W.
4. HOE MC-315 SANITARY PROVIDED BY ICAST.

Rim: 540' Rim to Invert: 8.01' Slack: 1.12" Sump: 2" Step Position: 45°

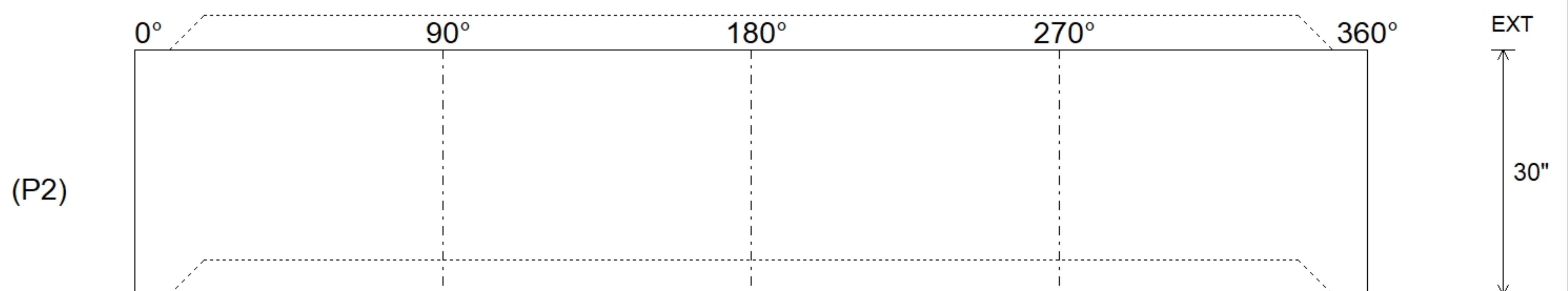
Position	Elev	Angle	Ext. (cw)	Pipe	Pipe OD	Connector	Hole	Horz Size	Up ()	Offset
Invert 1										
Invert 2										
Invert 3										
Invert 4										
Invert 5										
Invert 6										
Invert 7										
Invert 8										

RIGHT-SIDE UP VIEW (int. dimensions)



Step: 45°
Horz: 18.875"

INSIDE WALL DIMENSIONS



Coating (Int): Coating (Ext):	Seam Up: Tongue Seam Dn: Groove	Wall Thickness: 5" Floor Height: 0"	Height (Int): 30" Height (Ext): 30"	Weight (Net): 2096 lb Volume (Net): 0.54cu.yd
----------------------------------	------------------------------------	--	--	--