

Job Name: 25-2666 Residential Subdivision	Plant: 100	Tech: C.Russ	
Job Location: Hawesville, Ky	12/15/2025 8:26:10 AM	PC: A.Chambers	
Contractor: Winwater Hartford KY Co.			

Structure ID: SSMH B3

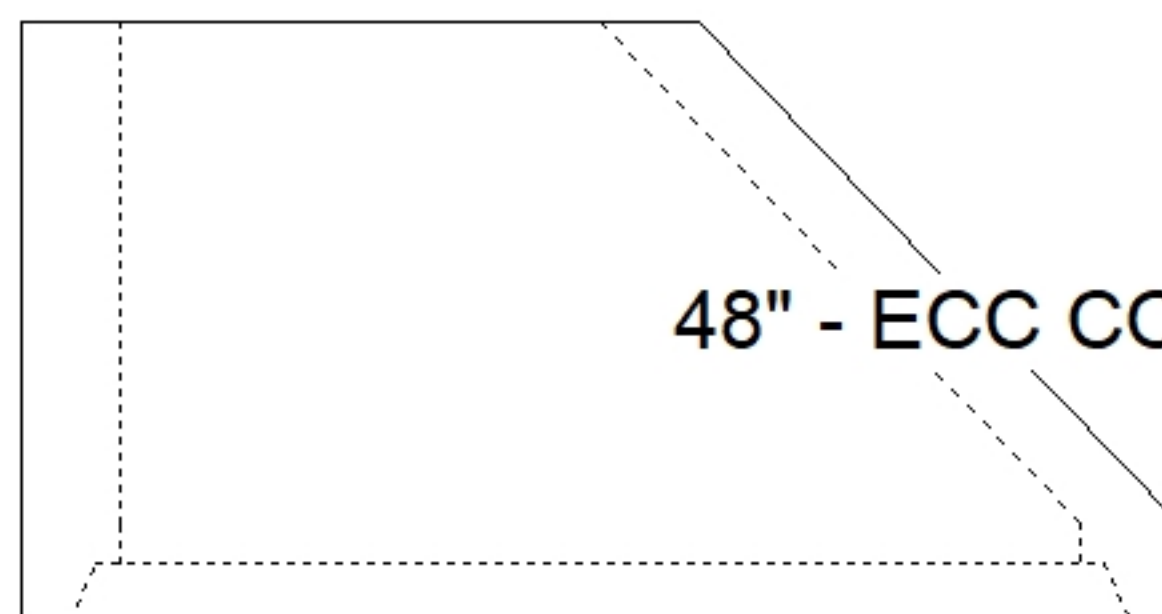
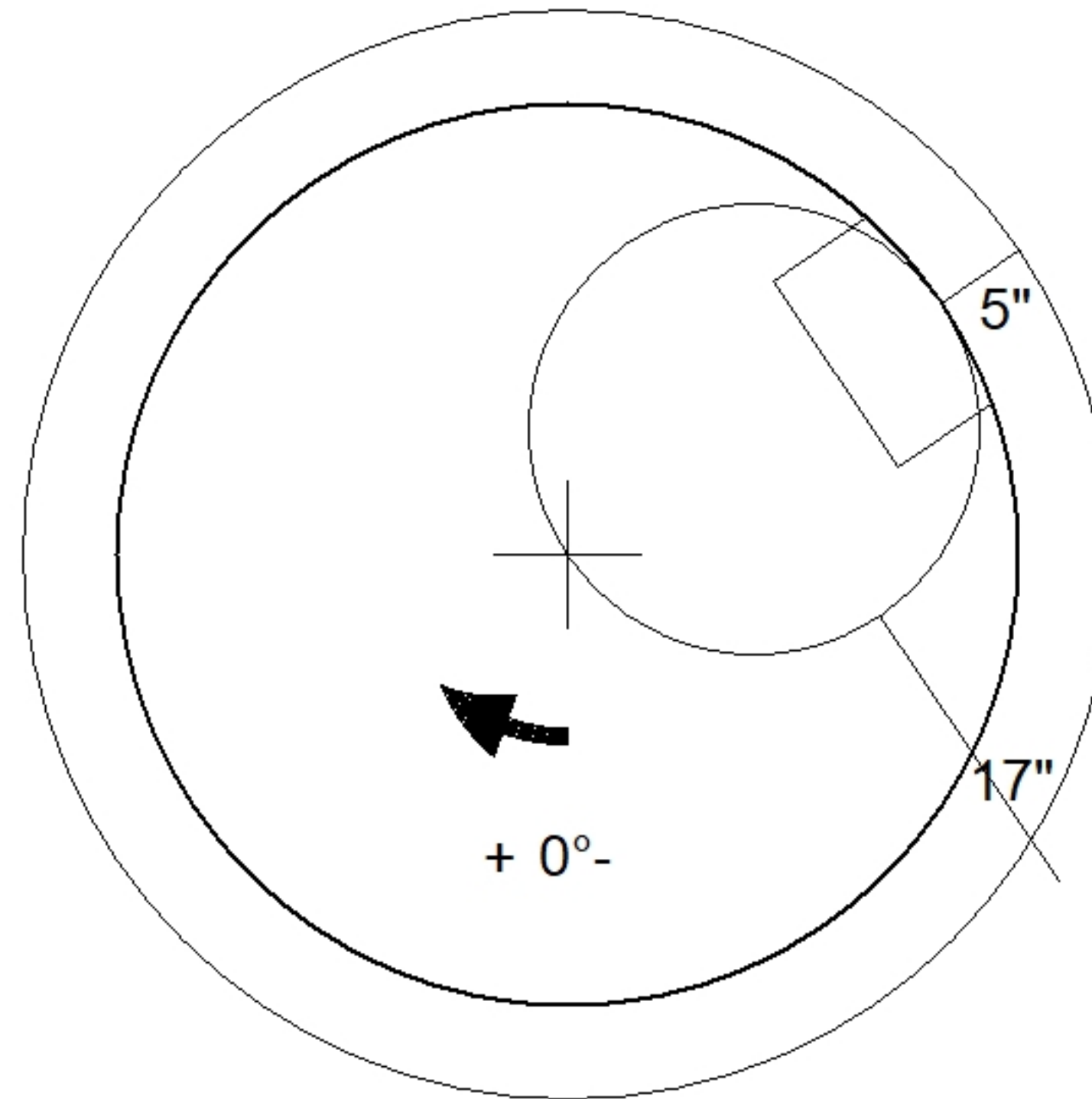
P2 MH048CN30

ECC CONE w/ 24" HOLE F/G

P3) 24" - CASTING HEIGHT - 7"	0 lb
P2) 48" - ECC CONE w/ 24" HOLE F/G - 30"	2050 lb
P1) 48" - MH BASE Custom Ht T/n - 17"	2428 lb
1) CASTING - HOE MC-315 F/C Sanitary	258 lb
1) 48" - DBL 1"x14.5' Butyl (2x)	0 lb
1) PSX - 12-08 NYLO	8 lb
2) PSX - 8QRS-S NYLO	13 lb
4) MH Step ML-10-TDS-NCR - 10"	0 lb
Structure Total:	4757 lb

Structure Notes:

- PER ASTM C478 SPECIFICATIONS.
- CONCRETE = 4,000 PSI AT 28 DAYS.
- REINFORCING PER ASTM A615 (GRADE 60).
 - CONE (As .12)
 - RISER/WALLS (As .12)
 - FLOOR (As .31) #5 BARS AT 12" C.C.E.W.
- HOE MC-315 SANITARY PROVIDED BY ICAST.



48" - ECC CONE w/ 24" HOLE F/G - 30" - (P2)

Coating (Int):	Seam Up: Flat	Wall Thickness: 5"	Height (Ext): 30"	Weight (Net): 2050 lb
Coating (Ext):	Seam Dn: Groove			Volume (Net): 0.41cu.yd