

Job Name: 25-2666 Residential Subdivision
 Job Location: Hawesville, Ky
 Contractor: Winwater Hartford KY Co.

Plant: 100

12/15/2025 8:25:08 AM

Tech: C.Russ

PC: A.Chambers



Structure ID: SSMH B3

P1 MH048BAVF

MH BASE Custom Ht T/n

- P3) 24" - CASTING HEIGHT - 7"
- P2) 48" - ECC CONE w/ 24" HOLE F/G - 30"
- P1) 48" - MH BASE Custom Ht T/n - 17"
- 1) CASTING - HOE MC-315 F/C Sanitary
- 1) 48" - DBL 1"x14.5' Butyl (2x)
- 1) PSX - 12-08 NYLO
- 2) PSX - 8QRS-S NYLO
- 4) MH Step ML-10-TDS-NCR - 10"

0 lb
 2050 lb
 2428 lb
 258 lb
 0 lb
 8 lb
 13 lb
 0 lb
 Structure Total: 4757 lb

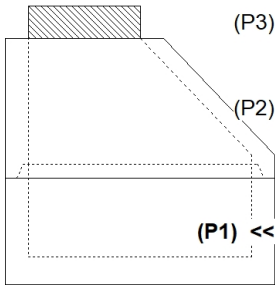
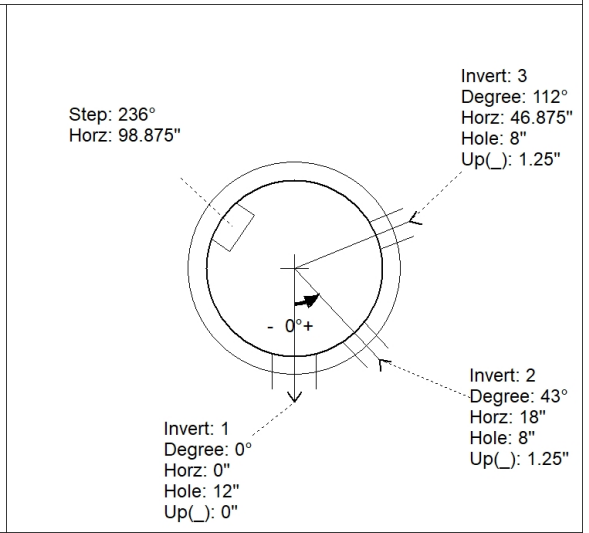
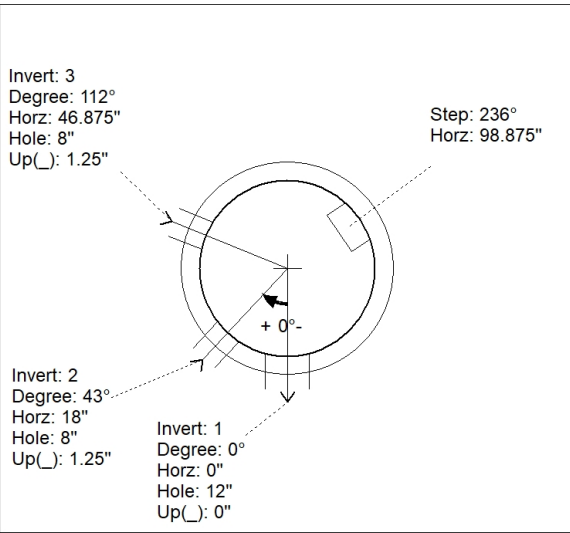
- Structure Notes:**
1. PER ASTM C478 SPECIFICATIONS.
 2. CONCRETE = 4,000 PSI AT 28 DAYS.
 3. REINFORCING PER ASTM A615 (GRADE 60).
 - CONE (As .12)
 - RISER/WALLS (As .12)
 - FLOOR (As .31) #5 BARS AT 12" C.C.E.W.
 4. HOE MC-315 SANITARY PROVIDED BY ICAST.

Rim: 525.02' Rim to Invert: 4.4' Slack: 0.8" Sump: 2" Step Position: 236°

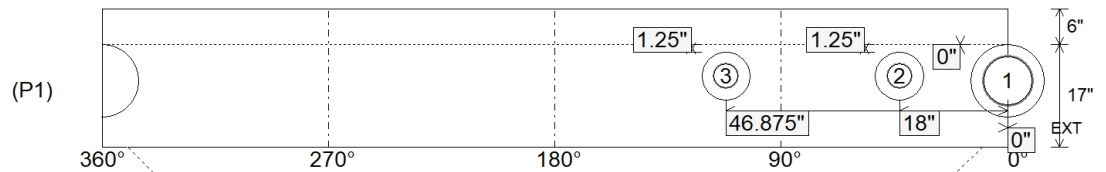
Position	Elev	Angle	Ext. (cw)	Pipe	Pipe OD	Connector	Hole	Horz Size	Up ()	Offset
Invert 1	520.62'	0°	0"	8" PVC SDR35	8.5"	PSX 12-08 NYLO	12"	12.129"	0"	0"
Invert 2	520.72'	43°	21.75"	4" PVC SDR35	4.25"	PSX 8QRS-S NYLO	8"	8.038"	1.25"	0"
Invert 3	520.72'	112°	56.75"	4" PVC SDR35	4.25"	PSX 8QRS-S NYLO	8"	8.038"	1.25"	0"
Invert 4										
Invert 5										
Invert 6										
Invert 7										
Invert 8										

RIGHT-SIDE UP VIEW (int. dimensions)

UPSIDE-DOWN VIEW (int. dimensions)



INSIDE WALL DIMENSIONS



Coating (Int):
 Coating (Ext):

Seam Up: Tongue
 Seam Dn: n/a

Wall Thickness: 5"
 Floor Height: 6"

Height (Int): 17"
 Height (Ext): 23"

Weight (Net): 2428 lb
 Volume (Net): 0.62cu.yd

Job Name: 25-2666 Residential Subdivision
 Job Location: Hawesville, Ky
 Contractor: Winwater Hartford KY Co.

Plant: 100

12/15/2025 8:25:08 AM

Tech: C.Russ

PC: A.Chambers



Structure ID: SSMH B3

P1A MH048BAVF

MH BASE Custom Ht T/n

- P3) 24" - CASTING HEIGHT - 7"
- P2) 48" - ECC CONE w/ 24" HOLE F/G - 30"
- P1) 48" - MH BASE Custom Ht T/n - 17"
- 1) CASTING - HOE MC-315 F/C Sanitary
- 1) 48" - DBL 1"x14.5' Butyl (2x)
- 1) PSX - 12-08 NYLO
- 2) PSX - 8QRS-S NYLO
- 4) MH Step ML-10-TDS-NCR - 10"

0 lb
 2050 lb
 2428 lb
 258 lb
 0 lb
 8 lb
 13 lb
 0 lb
 Structure Total: 4757 lb

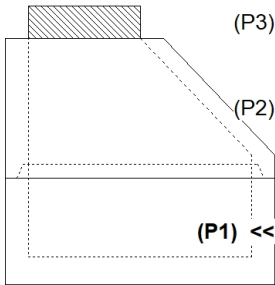
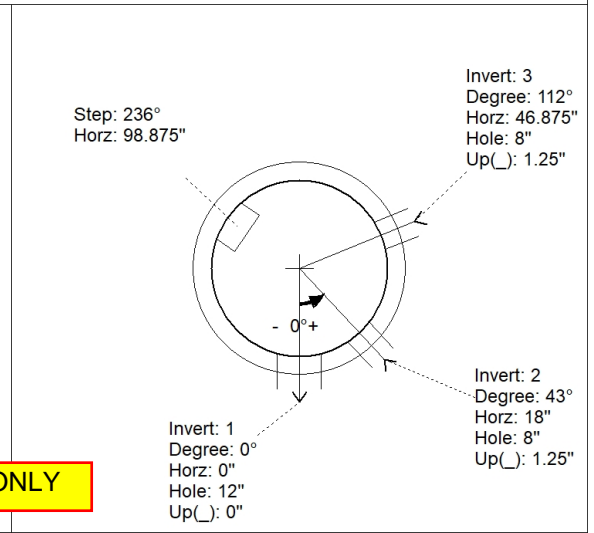
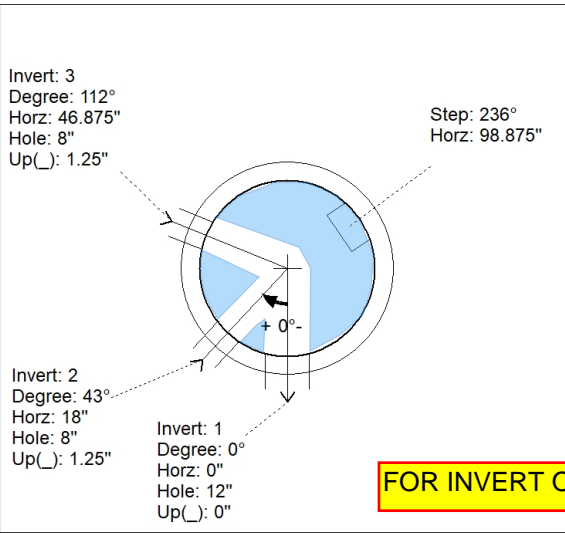
- Structure Notes:**
1. PER ASTM C478 SPECIFICATIONS.
 2. CONCRETE = 4,000 PSI AT 28 DAYS.
 3. REINFORCING PER ASTM A615 (GRADE 60).
 - CONE (As .12)
 - RISER/WALLS (As .12)
 - FLOOR (As .31) #5 BARS AT 12" C.C.E.W.
 4. HOE MC-315 SANITARY PROVIDED BY ICAST.

Rim: 525.02' Rim to Invert: 4.4' Slack: 0.8" Sump: 2" Step Position: 236°

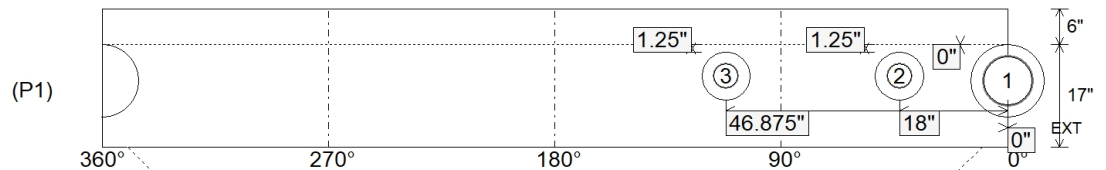
Position	Elev	Angle	Ext. (cw)	Pipe	Pipe OD	Connector	Hole	Horz Size	Up ()	Offset
Invert 1	520.62'	0°	0"	8" PVC SDR35	8.5"	PSX 12-08 NYLO	12"	12.129"	0"	0"
Invert 2	520.72'	43°	21.75"	4" PVC SDR35	4.25"	PSX 8QRS-S NYLO	8"	8.038"	1.25"	0"
Invert 3	520.72'	112°	56.75"	4" PVC SDR35	4.25"	PSX 8QRS-S NYLO	8"	8.038"	1.25"	0"
Invert 4										
Invert 5										
Invert 6										
Invert 7										
Invert 8										

RIGHT-SIDE UP VIEW (int. dimensions)

UPSIDE-DOWN VIEW (int. dimenions)



INSIDE WALL DIMENSIONS



Coating (Int):
 Coating (Ext):

Seam Up: Tongue
 Seam Dn: n/a

Wall Thickness: 5"
 Floor Height: 6"

Height (Int): 17"
 Height (Ext): 23"

Weight (Net): 2428 lb
 Volume (Net): 0.62cu.yd