

Job Name: 25-2666 Residential Subdivision	Plant: 100	Tech: C.Russ	
Job Location: Hawesville, Ky Contractor: Winwater Hartford KY Co.	12/15/2025 8:26:09 AM	PC: A.Chambers	

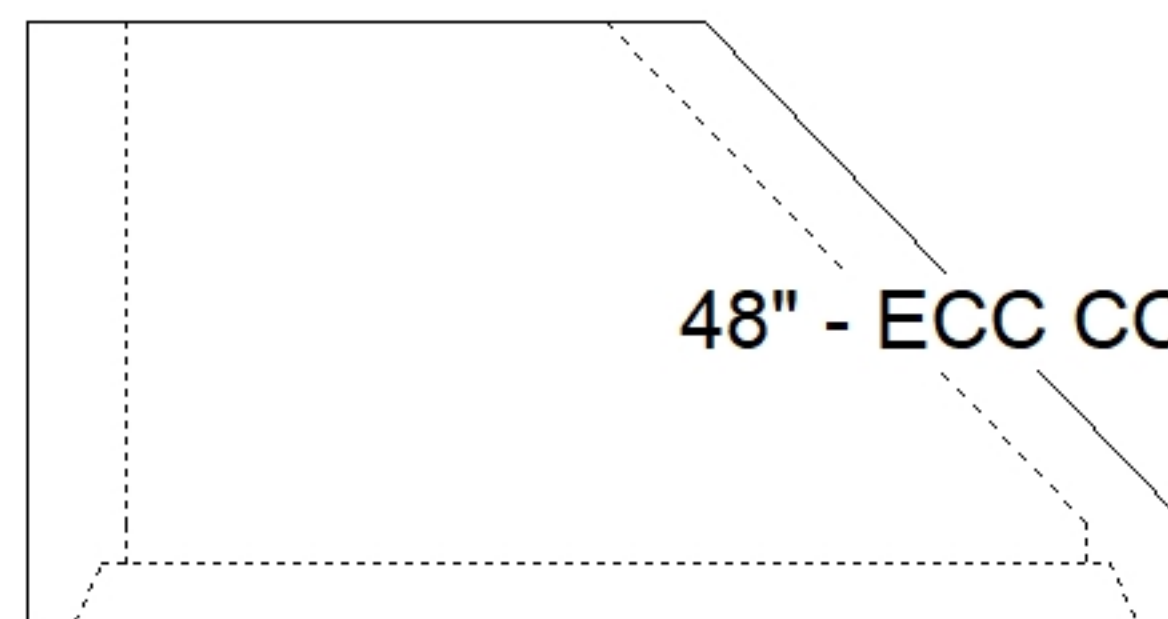
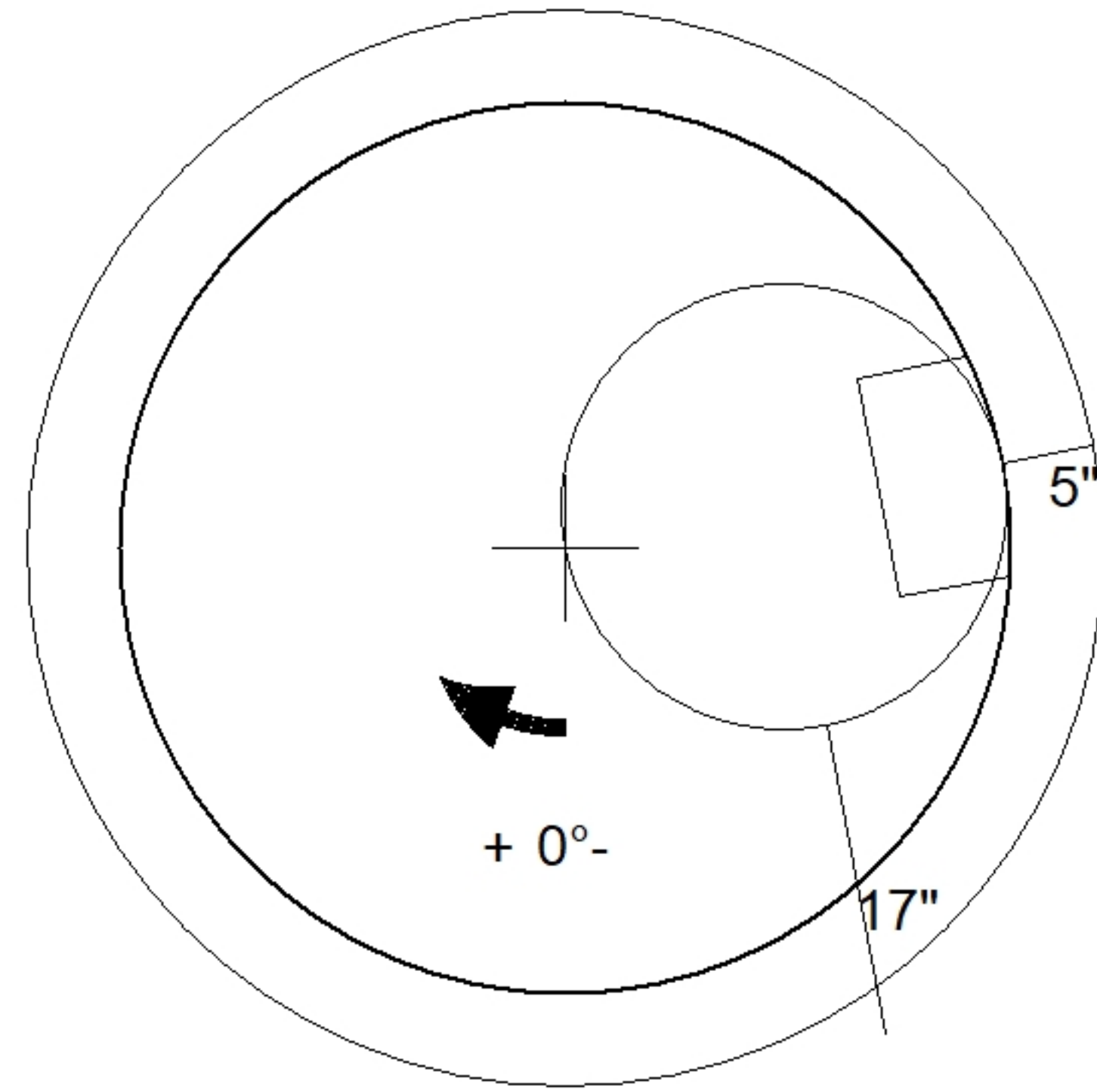
Structure ID: SSMH B2

P2 MH048CN30

ECC CONE w/ 24" HOLE F/G

P4) 24" - CASTING HEIGHT - 7"	0 lb
P3) 24" - GRADE RING F/F - 3"	202 lb
P2) 48" - ECC CONE w/ 24" HOLE F/G - 30"	2050 lb
P1) 48" - MH BASE T/n - 18"	2471 lb
1) CASTING - HOE MC-315 F/C Sanitary	258 lb
1) 48" - DBL 1"x14.5' Butyl (2x)	0 lb
2) PSX - 12-08 NYLO	16 lb
1) PSX - 8QRS-S NYLO	6 lb
4) MH Step ML-10-TDS-NCR - 10"	0 lb
Structure Total:	5004 lb

Structure Notes:
 1. PER ASTM C478 SPECIFICATIONS.
 2. CONCRETE = 4,000 PSI AT 28 DAYS.
 3. REINFORCING PER ASTM A615 (GRADE 60).
 - CONE (As .12)
 - RISER/WALLS (As .12)
 - FLOOR (As .31) #5 BARS AT 12" C.C.E.W.
 4. HOE MC-315 SANITARY PROVIDED BY ICAST.



48" - ECC CONE w/ 24" HOLE F/G - 30" - (P2)

Coating (Int):	Seam Up: Flat	Wall Thickness: 5"	Height (Ext): 30"	Weight (Net): 2050 lb
Coating (Ext):	Seam Dn: Groove			Volume (Net): 0.41cu.yd