

Job Name: 25-2666 Residential Subdivision  
 Job Location: Hawesville, Ky  
 Contractor: Winwater Hartford KY Co.

Plant: 100

12/15/2025 8:26:09 AM

Tech: C.Russ

PC: A.Chambers



**Structure ID: SSMH A4**

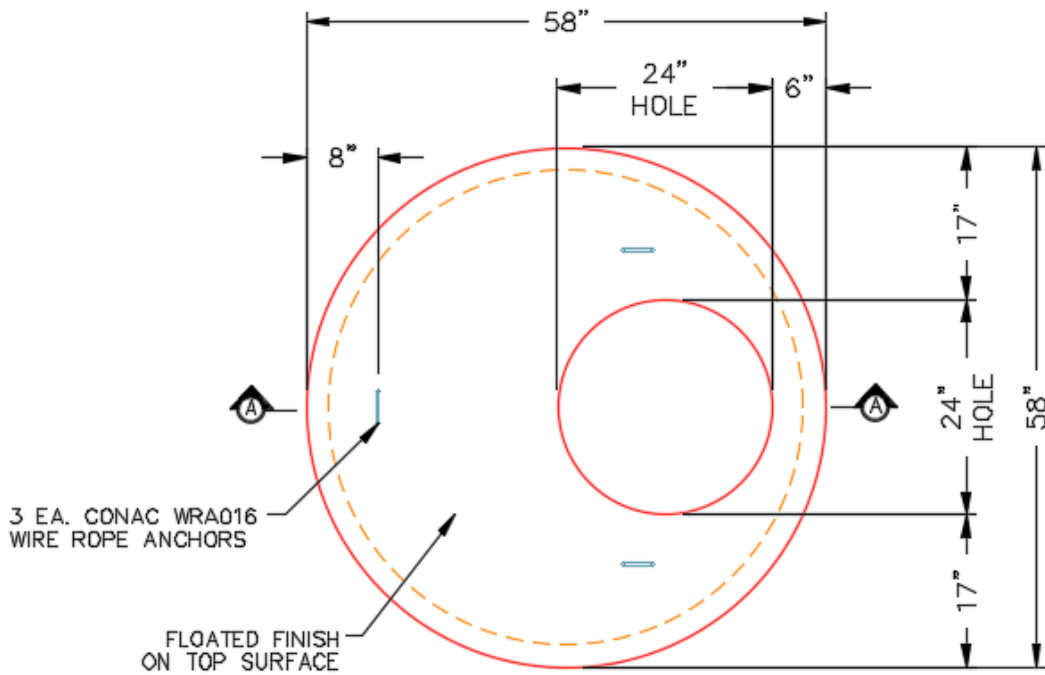
**P2 MH048LD12ECC**

**MH FLAT TOP w/ 24" ECC Hole F/G**

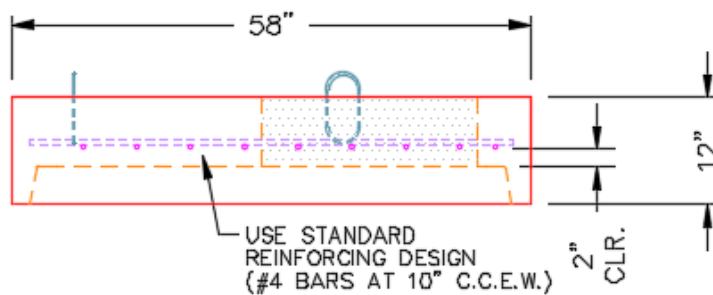
- P3) 24" - CASTING HEIGHT - 7"
- P2) 48" - MH FLAT TOP w/ 24" ECC Hole F/G - 12"
- P1) 48" - MH BASE T/n - 18"
- 1) CASTING - HOE MC-315 F/C Sanitary
- 1) 48" - DBL 1"x14.5' Butyl (2x)
- 1) PSX - 12-08 NYLO
- 5) PSX - 8QRS-S NYLO
- 1) MH Step ML-10-TDS-NCR - 10"

	0 lb
	1561 lb
	2434 lb
	258 lb
	0 lb
	8 lb
	32 lb
	0 lb
Structure Total:	4293 lb

- Structure Notes:**
1. PER ASTM C478 SPECIFICATIONS.
  2. CONCRETE = 4,000 PSI AT 28 DAYS.
  3. REINFORCING PER ASTM A615 (GRADE 60).  
 - CONE (As .12)  
 - RISER/WALLS (As .12)  
 - FLOOR (As .31) #5 BARS AT 12" C.C.E.W.
  4. HOE MC-315 SANITARY PROVIDED BY ICAST.



**PLAN VIEW**



**SECTION A-A**

Coating (Int):  
 Coating (Ext):

Seam Up: Flat  
 Seam Dn: Groove

Wall Thickness: 5"

Height (Ext): 12"

Weight (Net): 1561 lb  
 Volume (Net): 0.42cu.yd