

Job Name: 25-2666 Residential Subdivision
Job Location: Hawesville, Ky
Contractor: Winwater Hartford KY Co.

PC: A.Chambers
 TECH: C.Russ
 Plant: 100



Structure ID: **SSMH A3**

Spec: Sanitary
 Type: SAN.MH
 Size: 48"

Rim: 530.65'
 Invert: 520.06'
 Rim to Invert: 10.59'

Sump: 2"
 Floor (Top): 519.893'
 Floor Height: 6"

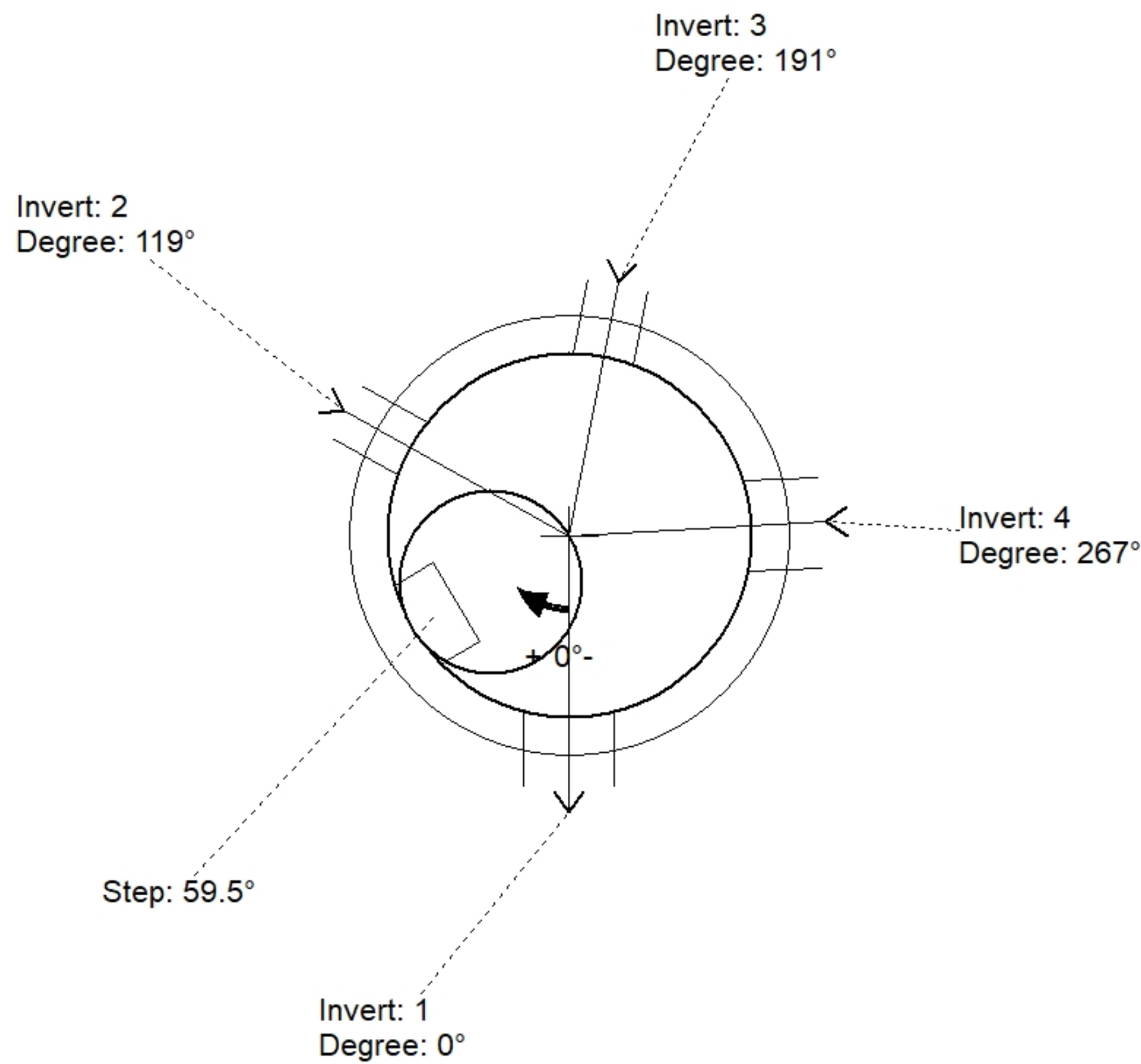
Floor (Bot): 519.393'
 Overall Height: 11.083'
 Slack: 2.08"

Structure Notes:

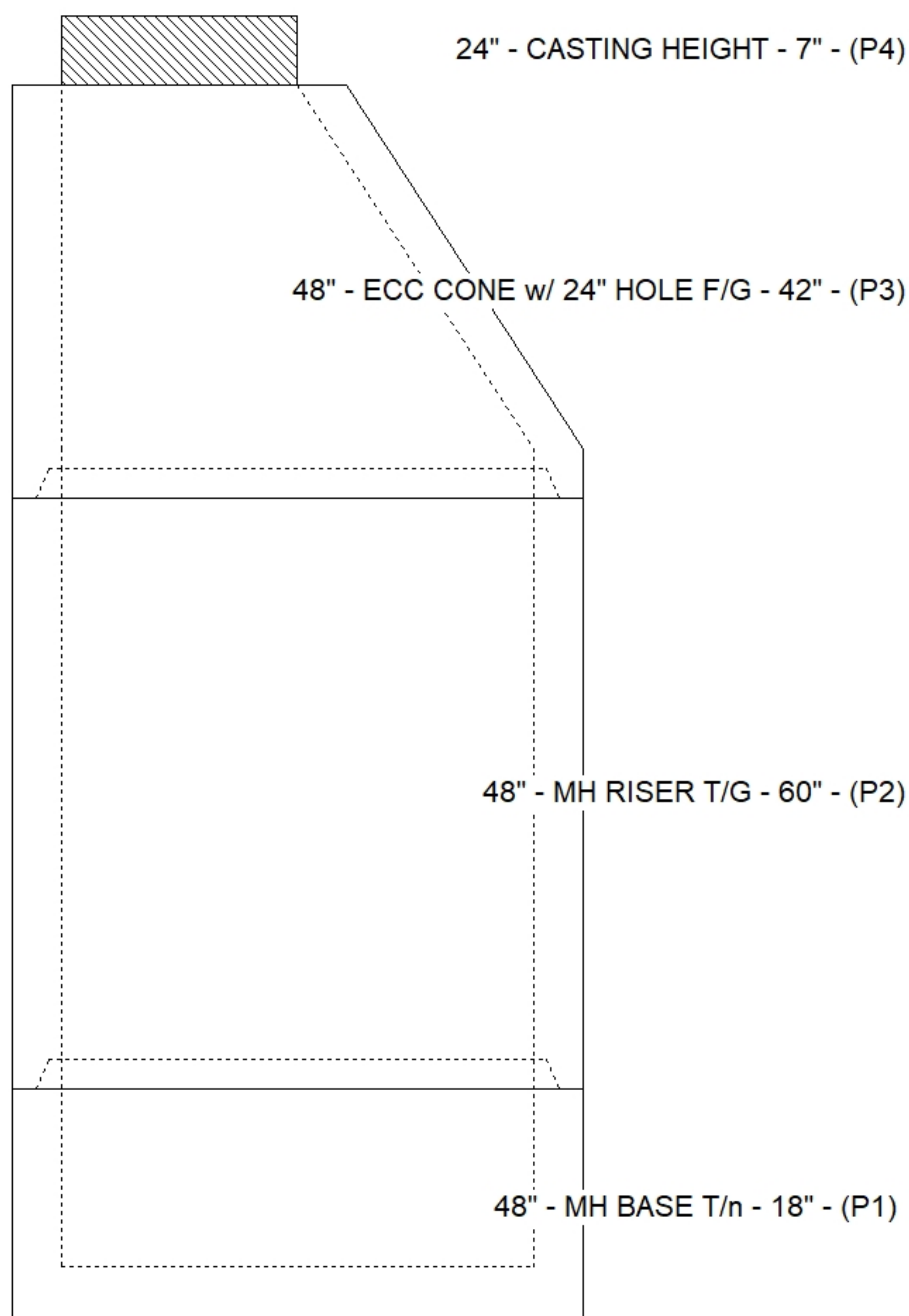
- PER ASTM C478 SPECIFICATIONS.
- CONCRETE = 4,000 PSI AT 28 DAYS.
- REINFORCING PER ASTM A615 (GRADE 60).
 - CONE (As .12)
 - RISER/WALLS (As .12)
 - FLOOR (As .31) #5 BARS AT 12" C.C.E.W.
- HOE MC-315 SANITARY CASTING PROVIDED BY ICAST.
- VERIFY SERVICE LINE PIPE SIZES. ASSUMED 6" SDR35.

STRUCTURE SUMMARY:

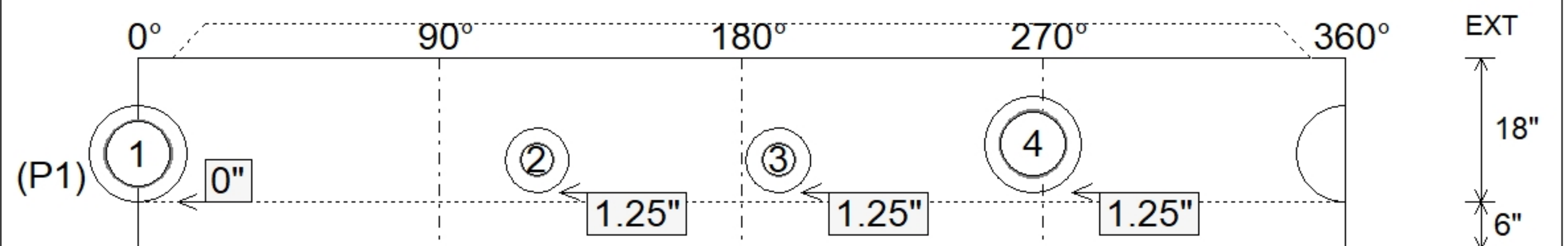
P4) 24" - CASTING HEIGHT - 7"	0 lb
P3) 48" - ECC CONE w/ 24" HOLE F/G - 42"	3200 lb
P2) 48" - MH RISER T/G - 60"	4192 lb
P1) 48" - MH BASE T/n - 18"	2450 lb
1) CASTING - HOE MC-315 F/C Sanitary	258 lb
2) 48" - DBL 1"x14.5' Butyl (2x)	0 lb
2) PSX - 12-08 NYLO	16 lb
2) PSX - 8QRS-S NYLO	13 lb
10) MH Step ML-10-TDS-NCR - 10"	0 lb
Structure Total:	10128 lb



Position	Elev	Angle	Pipe	Pipe OD	Hole	Connector	Up (")	Ref
Rim	530.65'							
Reducer								
Invert 1	520.06'	0°	8" PVC SDR35	8.5"	12"	PSX 12-08 NYLO	0"	P1
Invert 2	520.16'	119°	4" PVC SDR35	4.25"	8"	PSX 8QRS-S NYLO	1.25"	P1
Invert 3	520.16'	191°	4" PVC SDR35	4.25"	8"	PSX 8QRS-S NYLO	1.25"	P1
Invert 4	520.16'	267°	8" PVC SDR35	8.5"	12"	PSX 12-08 NYLO	1.25"	P1
Invert 5								
Invert 6								
Invert 7								
Invert 8								



Cast (Int. Dim.) - Interior Dimensions



Submittal Drawing
 12/15/2025 8:24:27 AM

SUBMITTAL
 APPROVED BY: