

Job Name: 25-2666 Residential Subdivision	Plant: 100	Tech: C.Russ	
Job Location: Hawesville, Ky Contractor: Winwater Hartford KY Co.	12/15/2025 8:26:09 AM	PC: A.Chambers	

**Structure ID: SSMH A3**

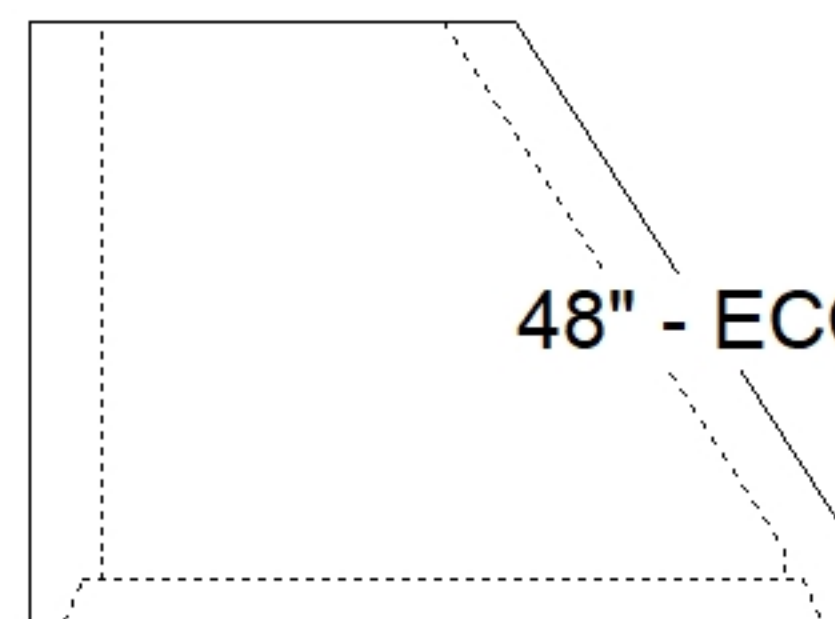
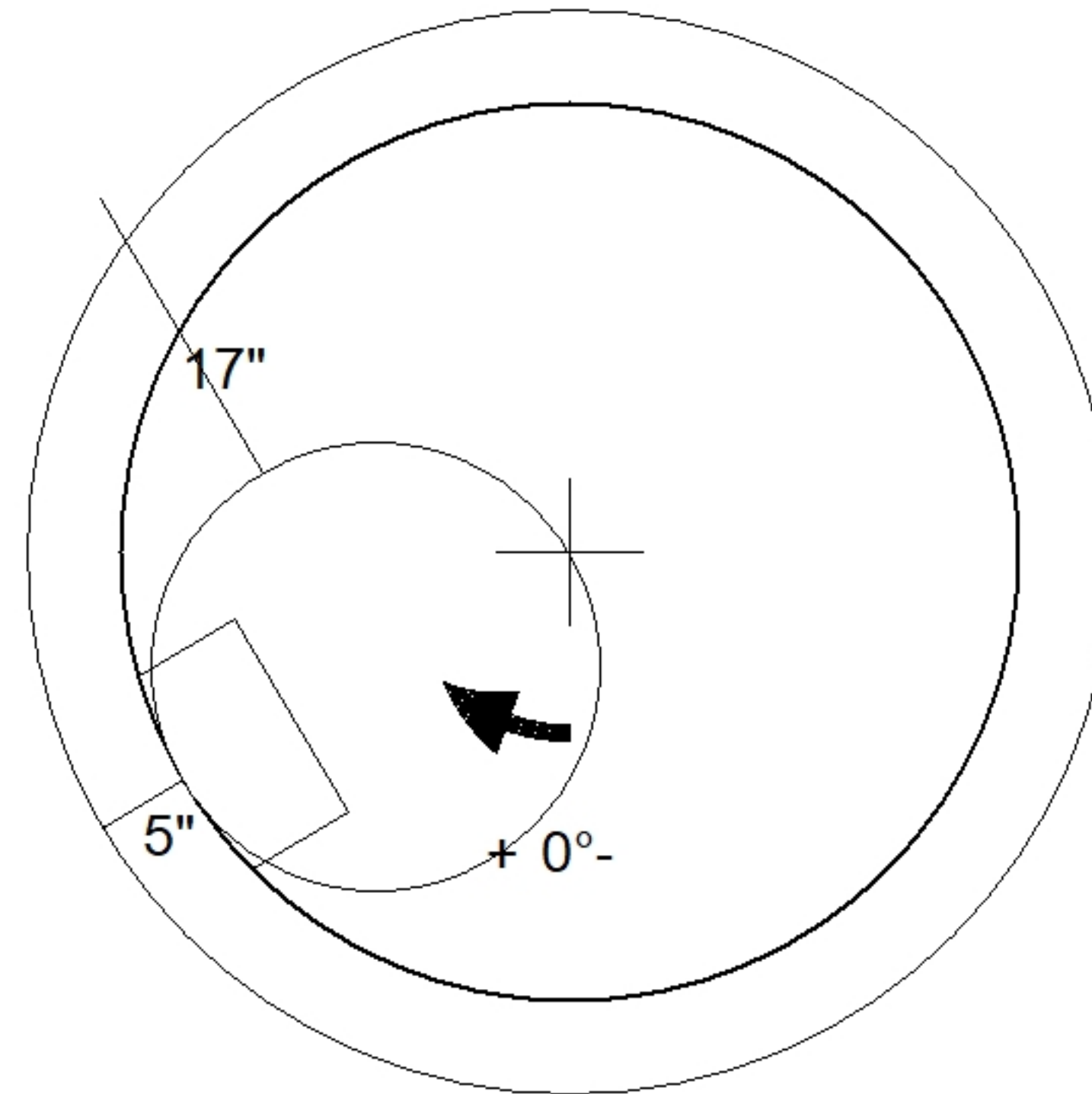
**P3 MH048CN42**

**ECC CONE w/ 24" HOLE F/G**

P4) 24" - CASTING HEIGHT - 7"	0 lb
P3) 48" - ECC CONE w/ 24" HOLE F/G - 42"	3200 lb
P2) 48" - MH RISER T/G - 60"	4192 lb
P1) 48" - MH BASE T/n - 18"	2450 lb
1) CASTING - HOE MC-315 F/C Sanitary	258 lb
2) 48" - DBL 1"x14.5' Butyl (2x)	0 lb
2) PSX - 12-08 NYLO	16 lb
2) PSX - 8QRS-S NYLO	13 lb
10) MH Step ML-10-TDS-NCR - 10"	0 lb
Structure Total:	10128 lb

**Structure Notes:**

1. PER ASTM C478 SPECIFICATIONS.
2. CONCRETE = 4,000 PSI AT 28 DAYS.
3. REINFORCING PER ASTM A615 (GRADE 60).  
- CONE (As .12)  
- RISER/WALLS (As .12)  
- FLOOR (As .31) #5 BARS AT 12" C.C.E.W.
4. HOE MC-315 SANITARY CASTING PROVIDED BY ICAST.
5. VERIFY SERVICE LINE PIPE SIZES. ASSUMED 6" SDR35.



48" - ECC CONE w/ 24" HOLE F/G - 42" - (P3)

Coating (Int): Coating (Ext):	Seam Up: Flat Seam Dn: Groove	Wall Thickness: 5"	Height (Ext): 42"	Weight (Net): 3200 lb Volume (Net): 0.5cu.yd
----------------------------------	----------------------------------	--------------------	-------------------	---