

Job Name: 25-2666 Residential Subdivision	Plant: 100	Tech: C.Russ	
Job Location: Hawesville, Ky Contractor: Winwater Hartford KY Co.	12/15/2025 8:25:39 AM	PC: A.Chambers	

Structure ID: SSMH A3

P2 MH048RS60

MH RISER T/G

- P4) 24" - CASTING HEIGHT - 7"
- P3) 48" - ECC CONE w/ 24" HOLE F/G - 42"
- P2) 48" - MH RISER T/G - 60"
- P1) 48" - MH BASE T/n - 18"
- 1) CASTING - HOE MC-315 F/C Sanitary
- 2) 48" - DBL 1"x14.5' Butyl (2x)
- 2) PSX - 12-08 NYLO
- 2) PSX - 8QRS-S NYLO
- 10) MH Step ML-10-TDS-NCR - 10"

0 lb
3200 lb
4192 lb
2450 lb
258 lb
0 lb
16 lb
13 lb
0 lb

Structure Total: 10128 lb

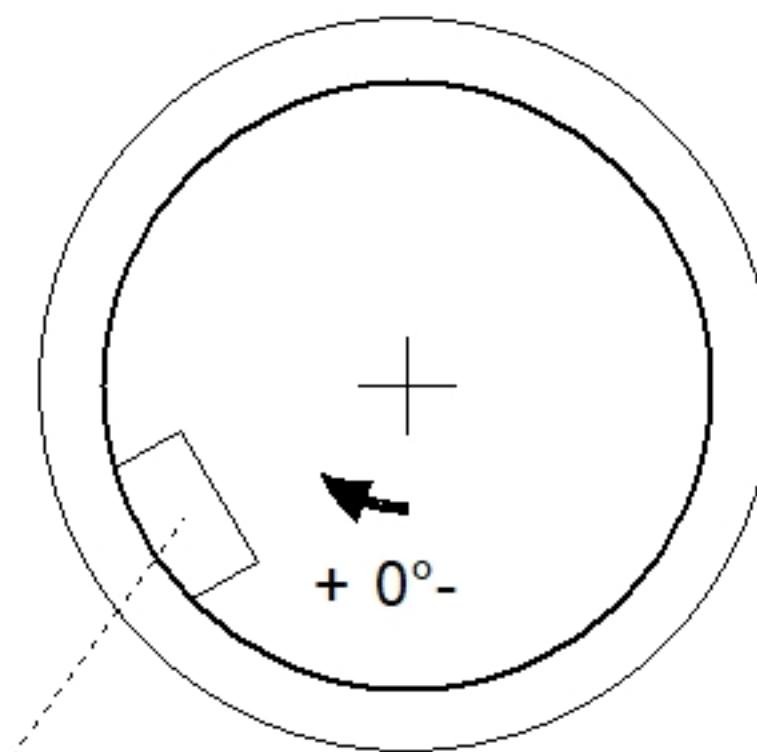
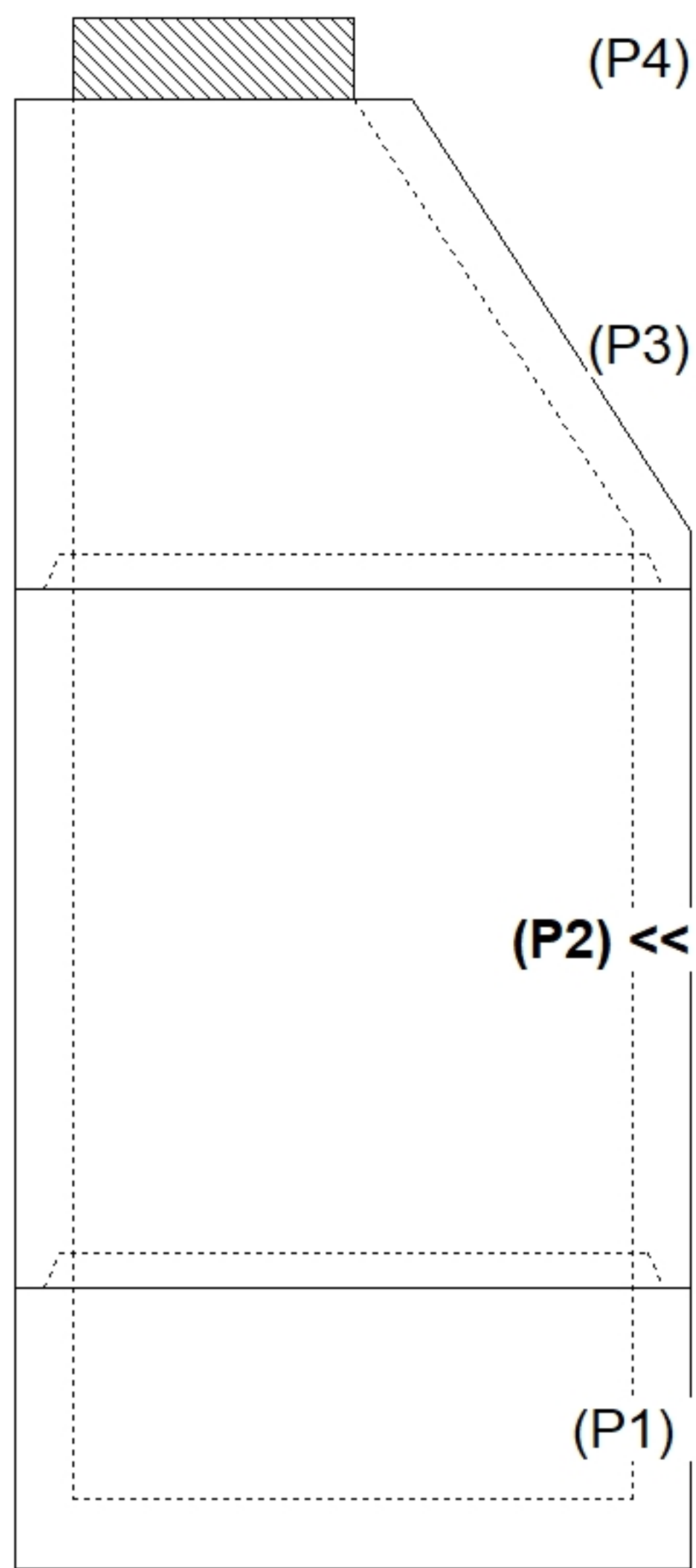
Structure Notes:

1. PER ASTM C478 SPECIFICATIONS.
2. CONCRETE = 4,000 PSI AT 28 DAYS.
3. REINFORCING PER ASTM A615 (GRADE 60).
- CONE (As .12)
- RISER/WALLS (As .12)
- FLOOR (As .31) #5 BARS AT 12" C.C.E.W.
4. HOE MC-315 SANITARY CASTING PROVIDED BY ICAST.
5. VERIFY SERVICE LINE PIPE SIZES. ASSUMED 6" SDR35.

Rim: 530.65' Rim to Invert: 10.59' Slack: 2.08" Sump: 2" Step Position: 59.5°

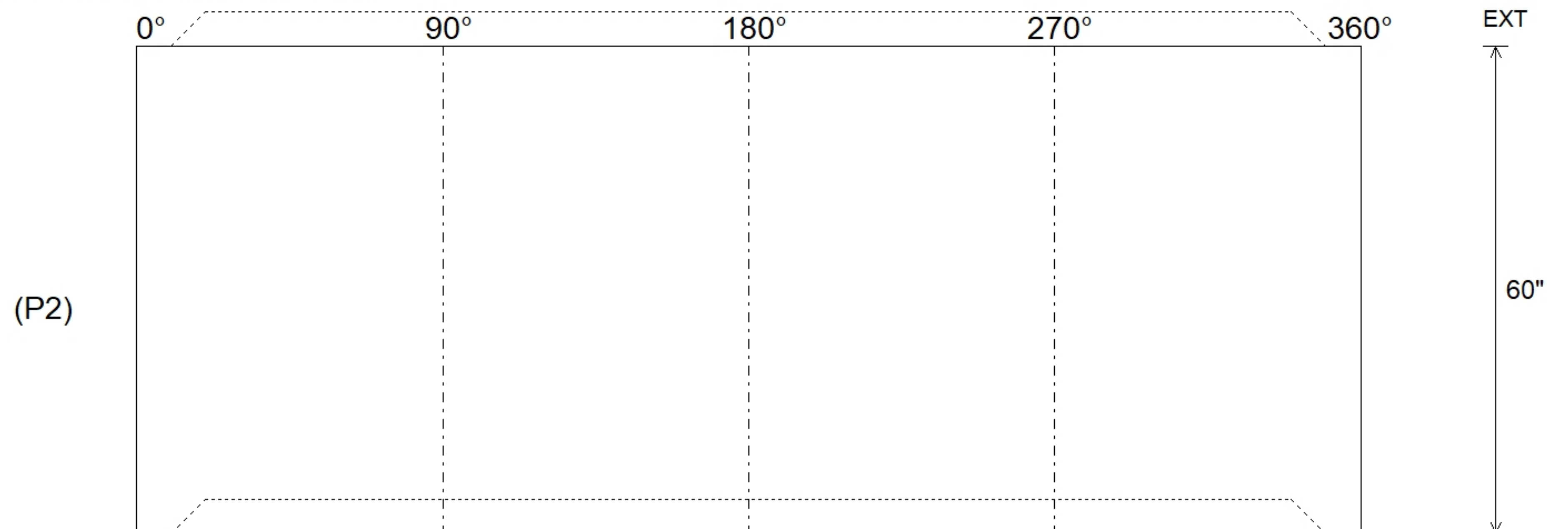
Position	Elev	Angle	Ext. (cw)	Pipe	Pipe OD	Connector	Hole	Horz Size	Up (L)	Offset
Invert 1										
Invert 2										
Invert 3										
Invert 4										
Invert 5										
Invert 6										
Invert 7										
Invert 8										

RIGHT-SIDE UP VIEW (int. dimensions)



Step: 59.5°
Horz: 24.875"

INSIDE WALL DIMENSIONS



Coating (Int): Coating (Ext):	Seam Up: Tongue Seam Dn: Groove	Wall Thickness: 5" Floor Height: 0"	Height (Int): 60" Height (Ext): 60"	Weight (Net): 4192 lb Volume (Net): 1.07cu.yd
----------------------------------	------------------------------------	--	--	--