

Job Name: 25-2666 Residential Subdivision  
 Job Location: Hawesville, Ky  
 Contractor: Winwater Hartford KY Co.

Plant: 100

12/15/2025 8:25:07 AM

Tech: C.Russ

PC: A.Chambers



**Structure ID: SSMH A3**

**P1 MH048BA18**

**MH BASE T/n**

- P4) 24" - CASTING HEIGHT - 7"
- P3) 48" - ECC CONE w/ 24" HOLE F/G - 42"
- P2) 48" - MH RISER T/G - 60"
- P1) 48" - MH BASE T/n - 18"
- 1) CASTING - HOE MC-315 F/C Sanitary
- 2) 48" - DBL 1"x14.5' Butyl (2x)
- 2) PSX - 12-08 NYLO
- 2) PSX - 8QRS-S NYLO
- 10) MH Step ML-10-TDS-NCR - 10"

0 lb  
 3200 lb  
 4192 lb  
 2450 lb  
 258 lb  
 0 lb  
 16 lb  
 13 lb  
 0 lb

Structure Total: 10128 lb

**Structure Notes:**

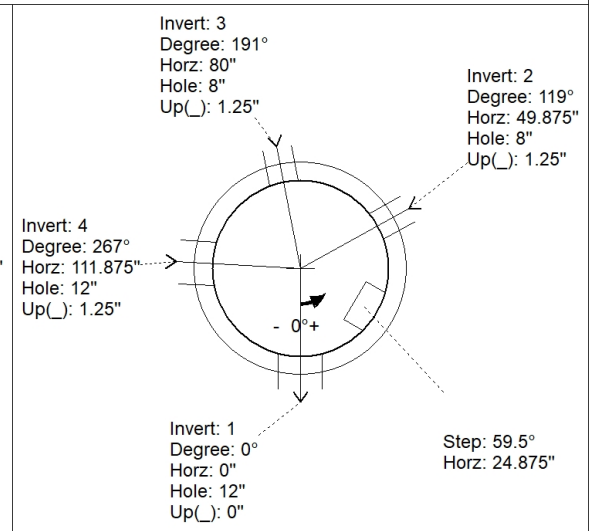
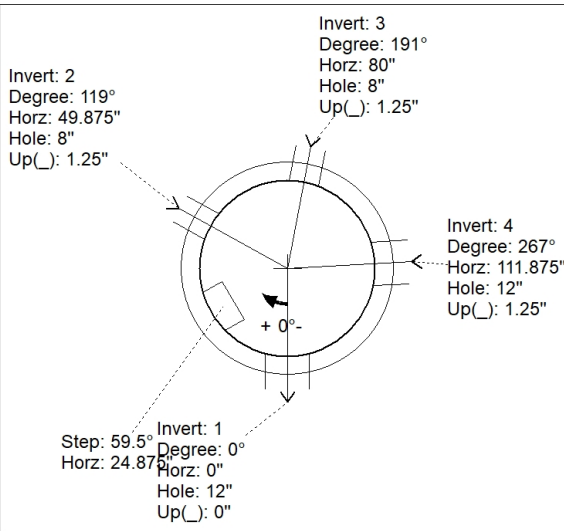
1. PER ASTM C478 SPECIFICATIONS.
2. CONCRETE = 4,000 PSI AT 28 DAYS.
3. REINFORCING PER ASTM A615 (GRADE 60).  
 - CONE (As .12)  
 - RISER/WALLS (As .12)  
 - FLOOR (As .31) #5 BARS AT 12" C.C.E.W.
4. HOE MC-315 SANITARY CASTING PROVIDED BY ICAST.
5. VERIFY SERVICE LINE PIPE SIZES. ASSUMED 6" SDR35.

Rim: 530.65' Rim to Invert: 10.59' Slack: 2.08" Sump: 2" Step Position: 59.5°

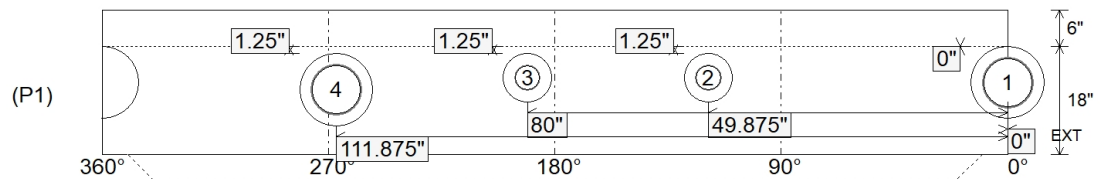
Position	Elev	Angle	Ext. (cw)	Pipe	Pipe OD	Connector	Hole	Horz Size	Up ( )	Offset
Invert 1	520.06'	0°	0"	8" PVC SDR35	8.5"	PSX 12-08 NYLO	12"	12.129"	0"	0"
Invert 2	520.16'	119°	60.25"	4" PVC SDR35	4.25"	PSX 8QRS-S NYLO	8"	8.038"	1.25"	0"
Invert 3	520.16'	191°	96.625"	4" PVC SDR35	4.25"	PSX 8QRS-S NYLO	8"	8.038"	1.25"	0"
Invert 4	520.16'	267°	135.125"	8" PVC SDR35	8.5"	PSX 12-08 NYLO	12"	12.129"	1.25"	0"
Invert 5										
Invert 6										
Invert 7										
Invert 8										

**RIGHT-SIDE UP VIEW (int. dimensions)**

**UPSIDE-DOWN VIEW (int. dimensions)**



**INSIDE WALL DIMENSIONS**



Coating (Int):  
 Coating (Ext):

Seam Up: Tongue  
 Seam Dn: n/a

Wall Thickness: 5"  
 Floor Height: 6"

Height (Int): 18"  
 Height (Ext): 24"

Weight (Net): 2450 lb  
 Volume (Net): 0.63cu.yd

Job Name: 25-2666 Residential Subdivision  
 Job Location: Hawesville, Ky  
 Contractor: Winwater Hartford KY Co.

Plant: 100

12/15/2025 8:25:07 AM

Tech: C.Russ

PC: A.Chambers



**Structure ID: SSMH A3**

**P1A MH048BA18**

**MH BASE T/n**

- P4) 24" - CASTING HEIGHT - 7"
- P3) 48" - ECC CONE w/ 24" HOLE F/G - 42"
- P2) 48" - MH RISER T/G - 60"
- P1) 48" - MH BASE T/n - 18"
- 1) CASTING - HOE MC-315 F/C Sanitary
- 2) 48" - DBL 1"x14.5' Butyl (2x)
- 2) PSX - 12-08 NYLO
- 2) PSX - 8QRS-S NYLO
- 10) MH Step ML-10-TDS-NCR - 10"

0 lb  
 3200 lb  
 4192 lb  
 2450 lb  
 258 lb  
 0 lb  
 16 lb  
 13 lb  
 0 lb  
 -----  
 Structure Total: 10128 lb

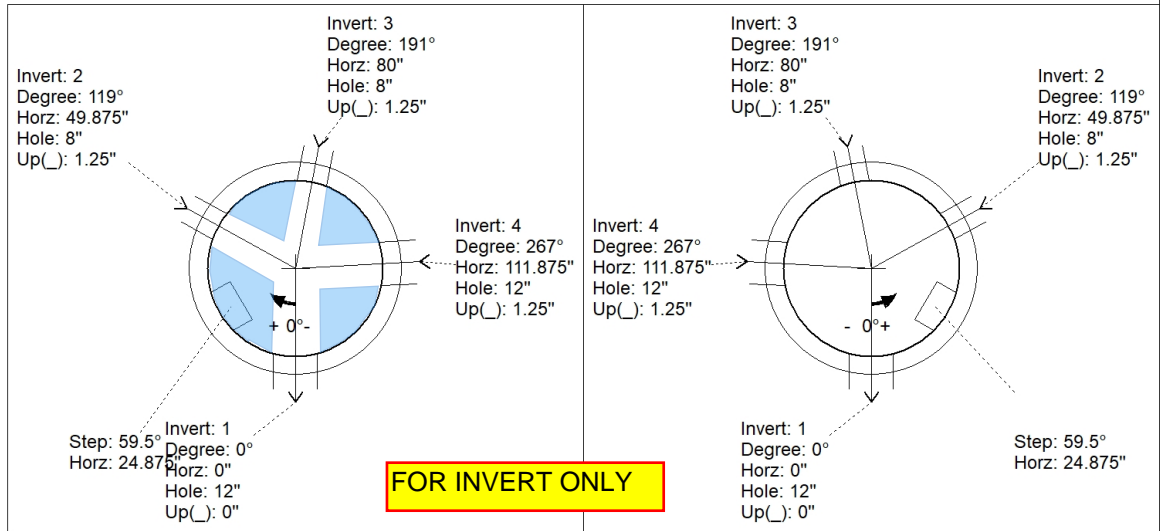
- Structure Notes:**
1. PER ASTM C478 SPECIFICATIONS.
  2. CONCRETE = 4,000 PSI AT 28 DAYS.
  3. REINFORCING PER ASTM A615 (GRADE 60).  
 - CONE (As .12)  
 - RISER/WALLS (As .12)  
 - FLOOR (As .31) #5 BARS AT 12" C.C.E.W.
  4. HOE MC-315 SANITARY CASTING PROVIDED BY ICAST.
  5. VERIFY SERVICE LINE PIPE SIZES. ASSUMED 6" SDR35.

Rim: 530.65' Rim to Invert: 10.59' Slack: 2.08" Sump: 2" Step Position: 59.5°

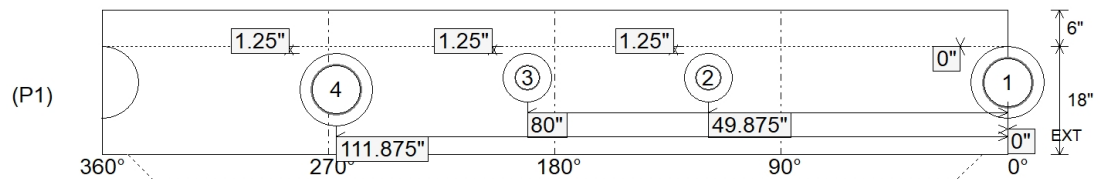
Position	Elev	Angle	Ext. (cw)	Pipe	Pipe OD	Connector	Hole	Horz Size	Up ( )	Offset
Invert 1	520.06'	0°	0"	8" PVC SDR35	8.5"	PSX 12-08 NYLO	12"	12.129"	0"	0"
Invert 2	520.16'	119°	60.25"	4" PVC SDR35	4.25"	PSX 8QRS-S NYLO	8"	8.038"	1.25"	0"
Invert 3	520.16'	191°	96.625"	4" PVC SDR35	4.25"	PSX 8QRS-S NYLO	8"	8.038"	1.25"	0"
Invert 4	520.16'	267°	135.125"	8" PVC SDR35	8.5"	PSX 12-08 NYLO	12"	12.129"	1.25"	0"
Invert 5										
Invert 6										
Invert 7										
Invert 8										

RIGHT-SIDE UP VIEW (int. dimensions)

UPSIDE-DOWN VIEW (int. dimenions)



INSIDE WALL DIMENSIONS



Coating (Int):  
 Coating (Ext):

Seam Up: Tongue  
 Seam Dn: n/a

Wall Thickness: 5"  
 Floor Height: 6"

Height (Int): 18"  
 Height (Ext): 24"

Weight (Net): 2450 lb  
 Volume (Net): 0.63cu.yd