

Job Name: 25-2666 Residential Subdivision
 Job Location: Hawesville, Ky
 Contractor: Winwater Hartford KY Co.

Plant: 100

12/15/2025 8:25:00 AM

Tech: C.Russ

PC: A.Chambers



Structure ID: CBI AA2

P1 MH048BAVF

MH BASE Custom Ht F/n

- P3) 24" x 36" - CASTING HEIGHT - 6"
- P2) 48" - MH FLAT TOP w/24"x36" Hole F/F - 7"
- P1) 48" - MH BASE Custom Ht F/n - 38"
- 1) CASTING - HOE 525 LV SET (F/G/H)
- 1) 48" - SGL 1"x14.5' Butyl (2x)
- 2) Hole - 30
- 3) MH Step ML-10-TDS-NCR - 10"

	0 lb
	1044 lb
	3353 lb
	442 lb
	0 lb
	0 lb
	0 lb
Structure Total:	4839 lb

Structure Notes:

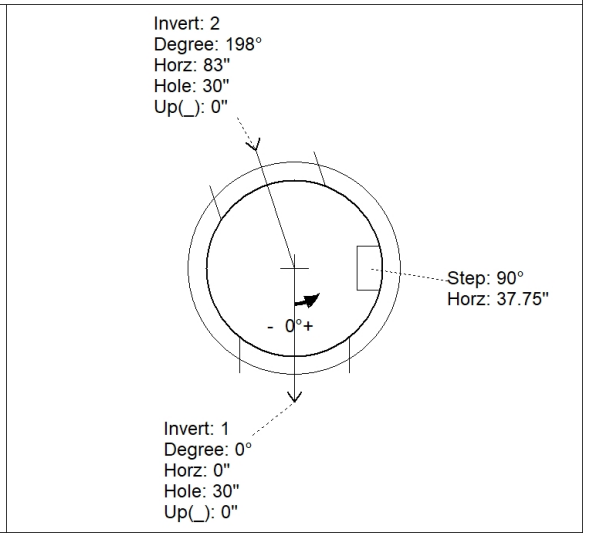
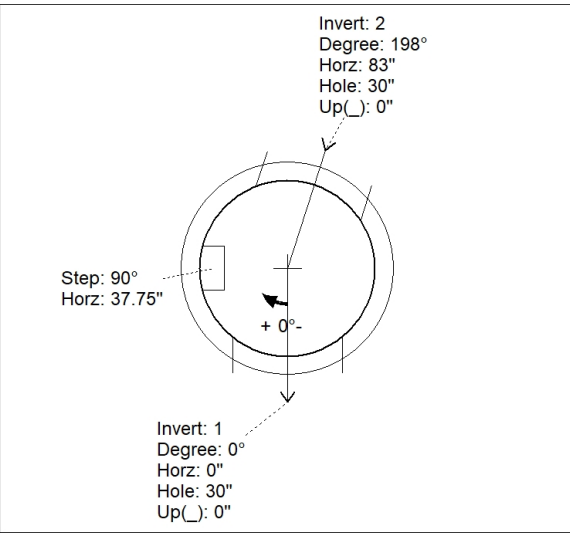
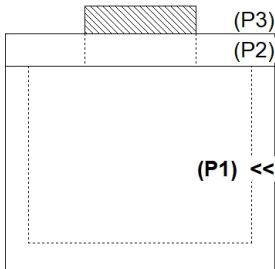
1. PER ASTM C478 SPECIFICATIONS.
2. CONCRETE = 4,000 PSI AT 28 DAYS.
3. REINFORCING PER ASTM A615 (GRADE 60).
 - TOP SLAB (As .62) #5 BARS AT 6" C.C.E.W..
 - RISER/WALLS (As .12)
 - FLOOR (As .31) #5 BARS AT 12" C.C.E.W.
4. HOE 525 PROVIDED BY ICAST

Rim: 515.32' Rim to Invert: 4.1' Slack: 0.1' Sump: 1.9' Step Position: 90°

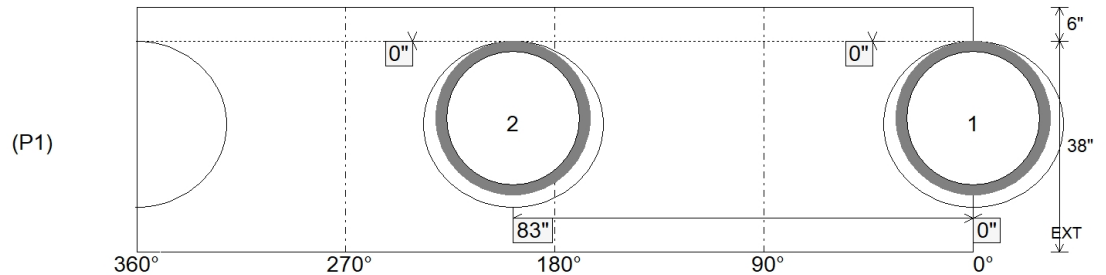
Position	Elev	Angle	Ext. (cw)	Pipe	Pipe OD	Connector	Hole	Horz Size	Up ()	Offset
Invert 1	511.22'	0°	0"	24" HDPE	27.8"	Hole 30	30"	32.406"	0"	0"
Invert 2	511.22'	198°	100.25"	24" HDPE	27.8"	Hole 30	30"	32.406"	0"	0"
Invert 3										
Invert 4										
Invert 5										
Invert 6										
Invert 7										
Invert 8										

RIGHT-SIDE UP VIEW (int. dimensions)

UPSIDE-DOWN VIEW (int. dimenions)



INSIDE WALL DIMENSIONS



Coating (Int):
 Coating (Ext):

Seam Up: Flat
 Seam Dn: n/a

Wall Thickness: 5"
 Floor Height: 6"

Height (Int): 38"
 Height (Ext): 44"

Weight (Net): 3353 lb
 Volume (Net): 0.86cu.yd

Job Name: 25-2666 Residential Subdivision
 Job Location: Hawesville, Ky
 Contractor: Winwater Hartford KY Co.

Plant: 100

12/15/2025 8:26:07 AM

Tech: C.Russ

PC: A.Chambers



Structure ID: CBI AA2

P2 MH048LD07-24X36RECT

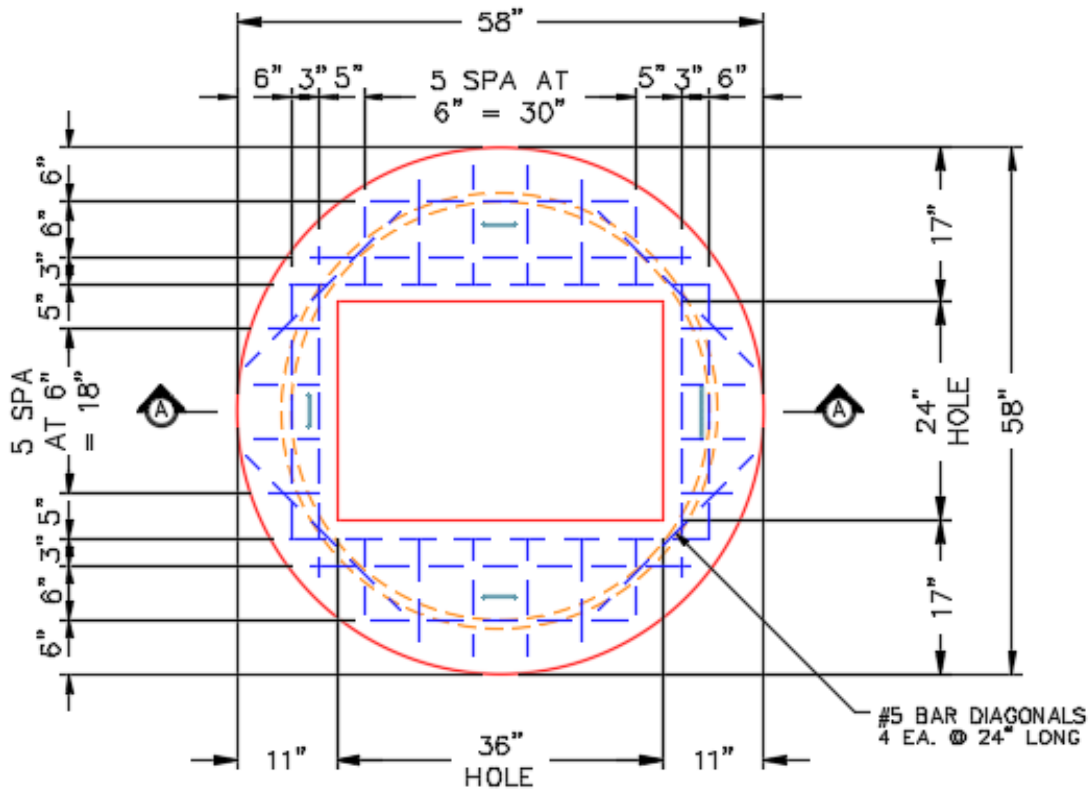
MH FLAT TOP w/24"x36" Hole F/F

- P3) 24" x 36" - CASTING HEIGHT - 6"
- P2) 48" - MH FLAT TOP w/24"x36" Hole F/F - 7"
- P1) 48" - MH BASE Custom Ht F/n - 38"
- 1) CASTING - HOE 525 LV SET (F/G/H)
- 1) 48" - SGL 1"x14.5' Butyl (2x)
- 2) Hole - 30"
- 3) MH Step ML-10-TDS-NCR - 10"

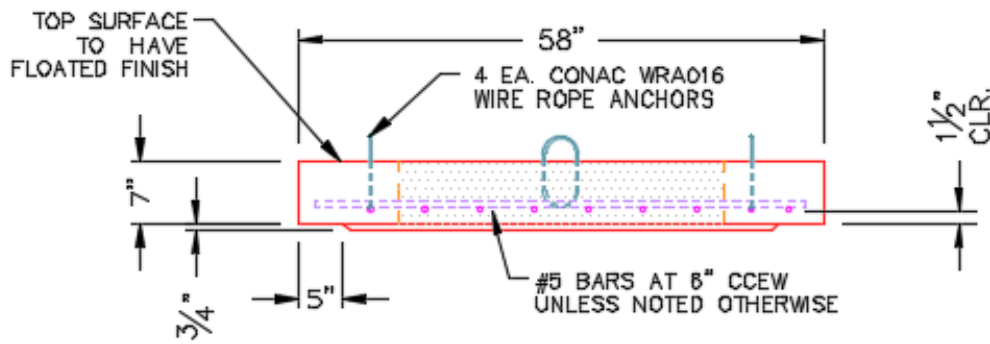
	0 lb
	1044 lb
	3353 lb
	442 lb
	0 lb
	0 lb
	0 lb
Structure Total:	4839 lb

Structure Notes:

1. PER ASTM C478 SPECIFICATIONS.
2. CONCRETE = 4,000 PSI AT 28 DAYS.
3. REINFORCING PER ASTM A615 (GRADE 60).
 - TOP SLAB (As .62) #5 BARS AT 6" C.C.E.W..
 - RISER/WALLS (As .12)
 - FLOOR (As .31) #5 BARS AT 12" C.C.E.W.
4. HOE 525 PROVIDED BY ICAST



PLAN VIEW



SECTION AA

Coating (Int):
 Coating (Ext):

Seam Up: Flat
 Seam Dn: Flat

Wall Thickness: 5"

Height (Ext): 7"

Weight (Net): 1044 lb
 Volume (Net): 0.27cu.yd

Job Name: 25-2666 Residential Subdivision
 Job Location: Hawesville, Ky
 Contractor: Winwater Hartford KY Co.

Plant: 100

12/15/2025 8:25:02 AM

Tech: C.Russ

PC: A.Chambers



Structure ID: CBI AA3

P1 MH048BA42

MH BASE Custom Ht T/n

- P3) 24" x 36" - CASTING HEIGHT - 6"
- P2) 48" - MH FLAT TOP w/24"x36" Hole F/G - 12"
- P1) 48" - MH BASE Custom Ht T/n - 42"
- 1) CASTING - HOE 525 LV SET (F/G/H)
- 1) 48" - SGL 1"x14.5' Butyl (2x)
- 2) Hole - 30
- 3) MH Step ML-10-TDS-NCR - 10"

0 lb
 1300 lb
 3632 lb
 442 lb
 0 lb
 0 lb
 0 lb

 Structure Total: 5374 lb

Structure Notes:

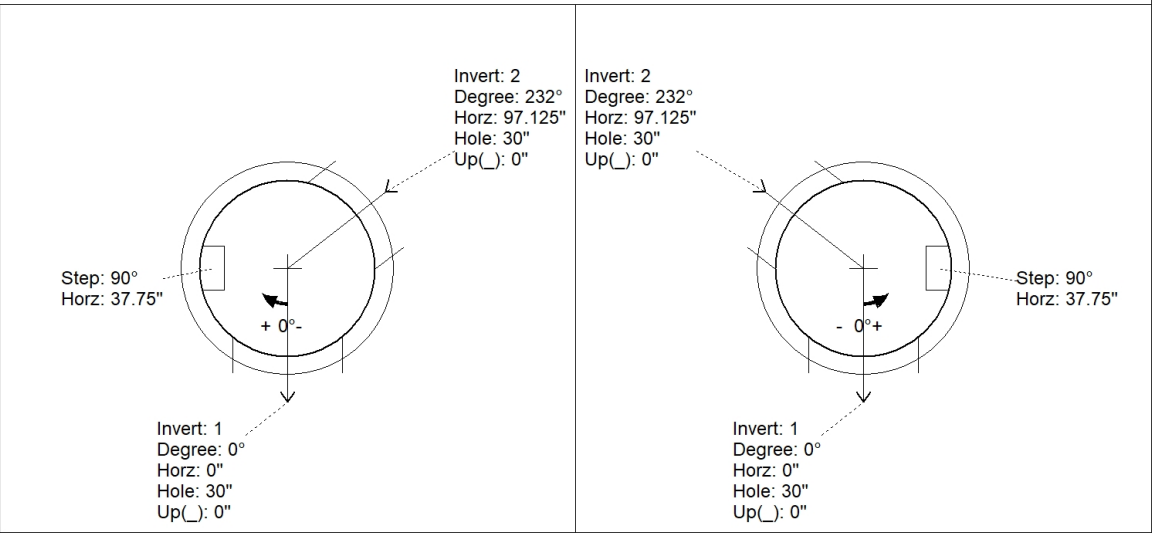
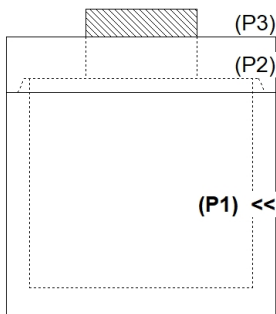
1. PER ASTM C478 SPECIFICATIONS.
2. CONCRETE = 4,000 PSI AT 28 DAYS.
3. REINFORCING PER ASTM A615 (GRADE 60).
 - TOP SLAB (As .62) #5 BARS AT 6" C.C.E.W..
 - RISER/WALLS (As .12)
 - FLOOR (As .31) #5 BARS AT 12" C.C.E.W.
4. HOE 525 PROVIDED BY ICAST

Rim: 517.43' Rim to Invert: 4.9' Slack: 0.7" Sump: 1.9" Step Position: 90°

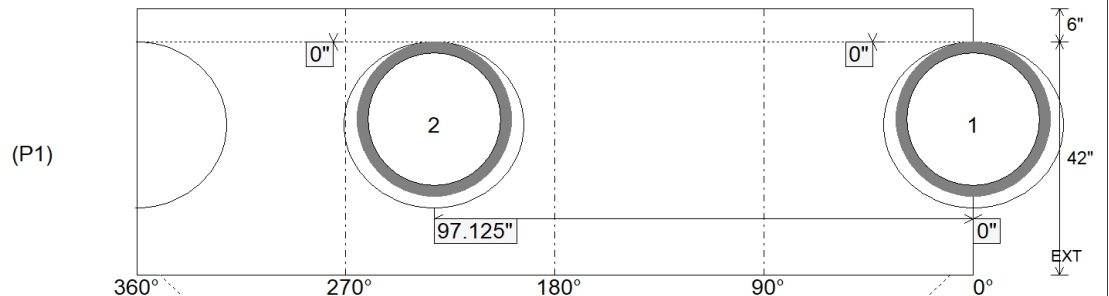
Position	Elev	Angle	Ext. (cw)	Pipe	Pipe OD	Connector	Hole	Horz Size	Up ()	Offset
Invert 1	512.53'	0°	0"	24" HDPE	27.8"	Hole 30	30"	32.406"	0"	0"
Invert 2	512.53'	232°	117.375"	24" HDPE	27.8"	Hole 30	30"	32.406"	0"	0"
Invert 3										
Invert 4										
Invert 5										
Invert 6										
Invert 7										
Invert 8										

RIGHT-SIDE UP VIEW (int. dimensions)

UPSIDE-DOWN VIEW (int. dimenions)



INSIDE WALL DIMENSIONS



Coating (Int):
 Coating (Ext):

Seam Up: Tongue
 Seam Dn: n/a

Wall Thickness: 5"
 Floor Height: 6"

Height (Int): 42"
 Height (Ext): 48"

Weight (Net): 3632 lb
 Volume (Net): 0.93cu.yd

Job Name: 25-2666 Residential Subdivision
 Job Location: Hawesville, Ky
 Contractor: Winwater Hartford KY Co.

Plant: 100

12/15/2025 8:26:07 AM

Tech: C.Russ

PC: A.Chambers



Structure ID: CBI AA3

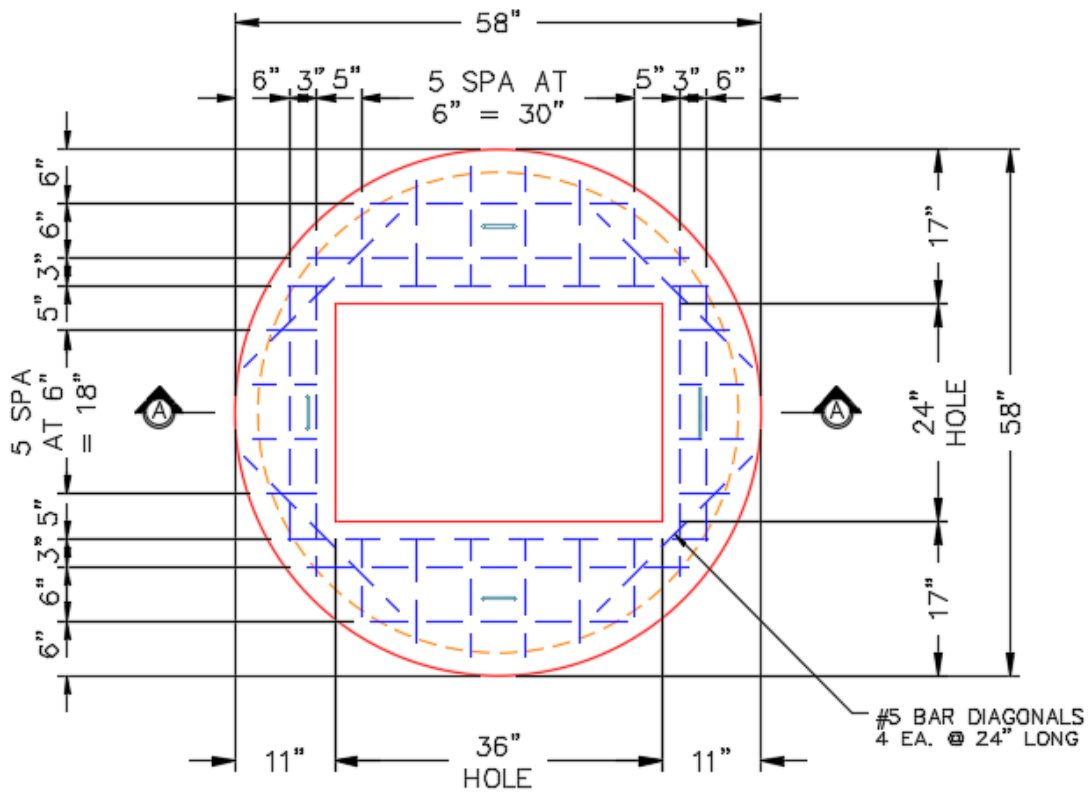
P2 MH048LD12-24X36RECT

MH FLAT TOP w/24"x36" Hole F/G

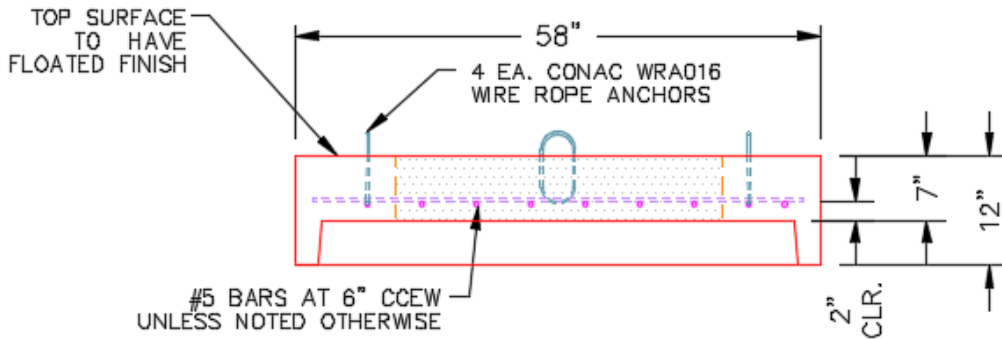
- P3) 24" x 36" - CASTING HEIGHT - 6"
- P2) 48" - MH FLAT TOP w/24"x36" Hole F/G - 12"
- P1) 48" - MH BASE Custom Ht T/n - 42"
- 1) CASTING - HOE 525 LV SET (F/G/H)
- 1) 48" - SGL 1"x14.5' Butyl (2x)
- 2) Hole - 30"
- 3) MH Step ML-10-TDS-NCR - 10"

	0 lb
	1300 lb
	3632 lb
	442 lb
	0 lb
	0 lb
	0 lb
Structure Total:	5374 lb

- Structure Notes:**
1. PER ASTM C478 SPECIFICATIONS.
 2. CONCRETE = 4,000 PSI AT 28 DAYS.
 3. REINFORCING PER ASTM A615 (GRADE 60).
 - TOP SLAB (As .62) #5 BARS AT 6" C.C.E.W..
 - RISER/WALLS (As .12)
 - FLOOR (As .31) #5 BARS AT 12" C.C.E.W.
 4. HOE 525 PROVIDED BY ICAST



PLAN VIEW



SECTION A-A

Coating (Int):
 Coating (Ext):

Seam Up: Flat
 Seam Dn: Groove

Wall Thickness: 5"

Height (Ext): 12"

Weight (Net): 1300 lb
 Volume (Net): 0.46cu.yd

Job Name: 25-2666 Residential Subdivision
 Job Location: Hawesville, Ky
 Contractor: Winwater Hartford KY Co.

Plant: 100

12/15/2025 8:25:02 AM

Tech: C.Russ

PC: A.Chambers



Structure ID: CBI AA4

P1 MH048BA60

MH BASE Custom Ht T/n

- P3) 24" x 36" - CASTING HEIGHT - 6"
- P2) 48" - MH FLAT TOP w/24"x36" Hole F/G - 12"
- P1) 48" - MH BASE Custom Ht T/n - 60"
- 1) CASTING - HOE 525 LV SET (F/G/H)
- 1) 48" - SGL 1"x14.5' Butyl (2x)
- 2) Hole - 30
- 5) MH Step ML-10-TDS-NCR - 10"

	0 lb
	1300 lb
	4890 lb
	442 lb
	0 lb
	0 lb
	0 lb
Structure Total:	6632 lb

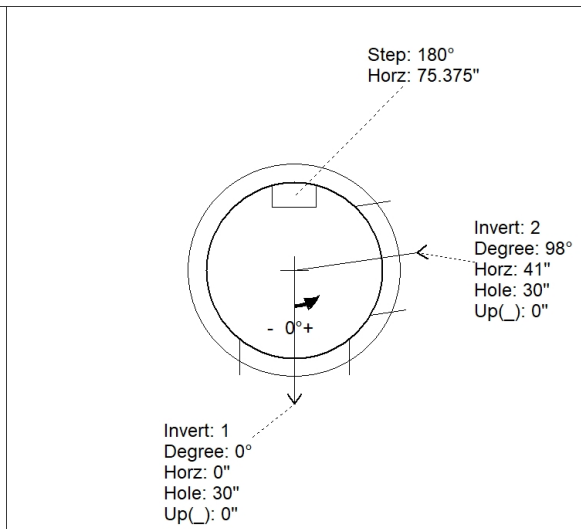
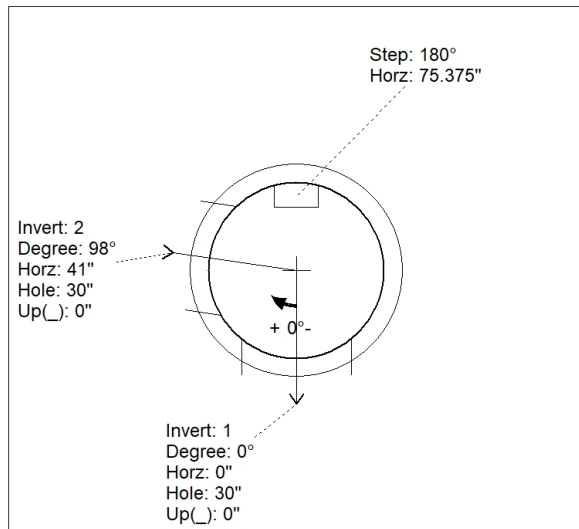
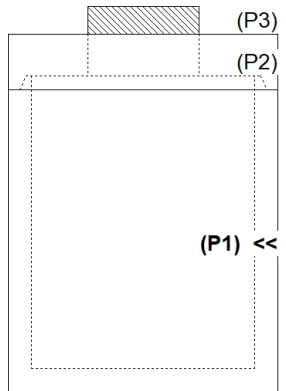
- Structure Notes:**
1. PER ASTM C478 SPECIFICATIONS.
 2. CONCRETE = 4,000 PSI AT 28 DAYS.
 3. REINFORCING PER ASTM A615 (GRADE 60).
 - TOP SLAB (As .62) #5 BARS AT 6" C.C.E.W.
 - RISER/WALLS (As .12)
 - FLOOR (As .31) #5 BARS AT 12" C.C.E.W.
 4. HOE 525 PROVIDED BY ICAST

Rim: 519.69' Rim to Invert: 6.35' Slack: 0.1" Sump: 1.9" Step Position: 180°

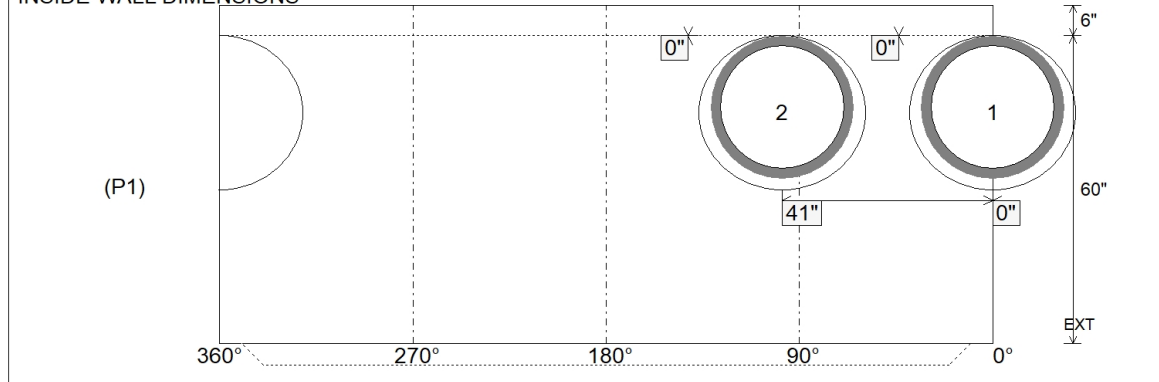
Position	Elev	Angle	Ext. (cw)	Pipe	Pipe OD	Connector	Hole	Horz Size	Up ()	Offset
Invert 1	513.34'	0°	0"	24" HDPE	27.8"	Hole 30	30"	32.406"	0"	0"
Invert 2	513.34'	98°	49.625"	24" HDPE	27.8"	Hole 30	30"	32.406"	0"	0"
Invert 3										
Invert 4										
Invert 5										
Invert 6										
Invert 7										
Invert 8										

RIGHT-SIDE UP VIEW (int. dimensions)

UPSIDE-DOWN VIEW (int. dimensions)



INSIDE WALL DIMENSIONS



Coating (Int): Coating (Ext):	Seam Up: Tongue Seam Dn: n/a	Wall Thickness: 5" Floor Height: 6"	Height (Int): 60" Height (Ext): 66"	Weight (Net): 4890 lb Volume (Net): 1.25cu.yd
----------------------------------	---------------------------------	--	--	--

Job Name: 25-2666 Residential Subdivision
 Job Location: Hawesville, Ky
 Contractor: Winwater Hartford KY Co.

Plant: 100

12/15/2025 8:26:07 AM

Tech: C.Russ

PC: A.Chambers



Structure ID: CBI AA4

P2 MH048LD12-24X36RECT

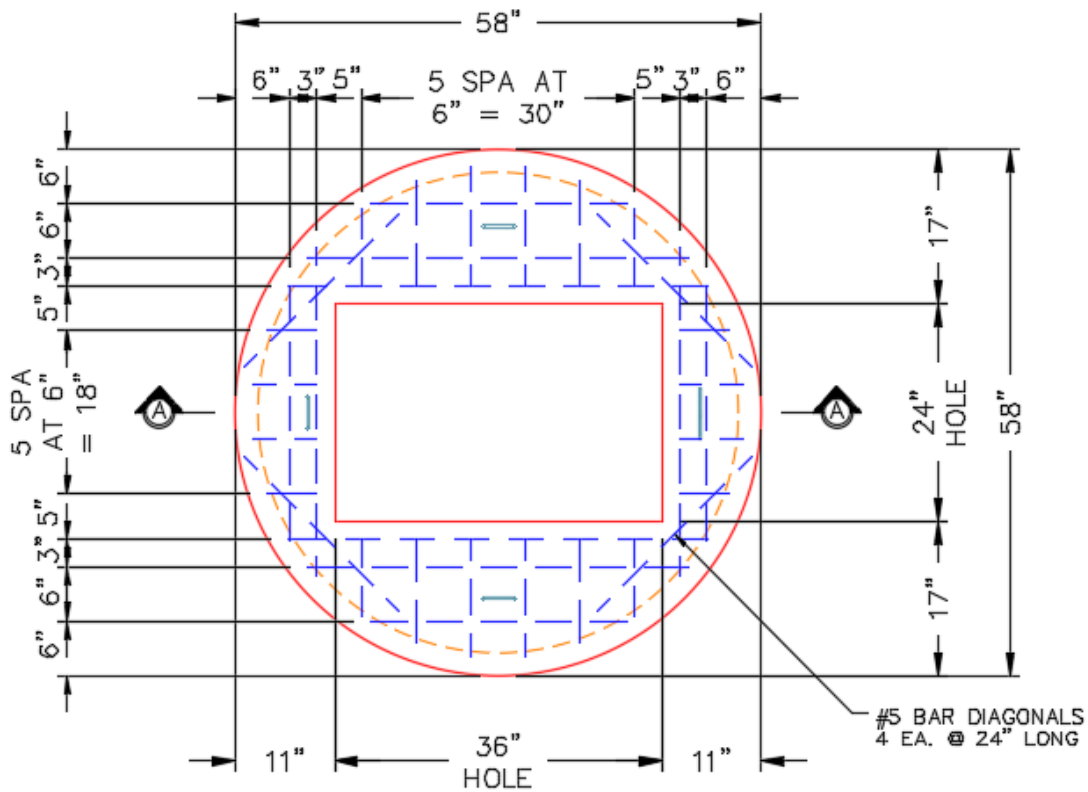
MH FLAT TOP w/24"x36" Hole F/G

- P3) 24" x 36" - CASTING HEIGHT - 6"
- P2) 48" - MH FLAT TOP w/24"x36" Hole F/G - 12"
- P1) 48" - MH BASE Custom Ht T/n - 60"
- 1) CASTING - HOE 525 LV SET (F/G/H)
- 1) 48" - SGL 1"x14.5' Butyl (2x)
- 2) Hole - 30
- 5) MH Step ML-10-TDS-NCR - 10"

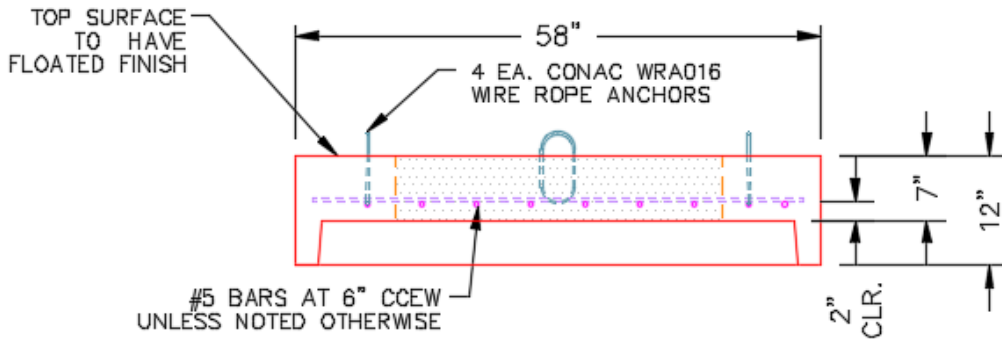
	0 lb
	1300 lb
	4890 lb
	442 lb
	0 lb
	0 lb
	0 lb
Structure Total:	6632 lb

Structure Notes:

1. PER ASTM C478 SPECIFICATIONS.
2. CONCRETE = 4,000 PSI AT 28 DAYS.
3. REINFORCING PER ASTM A615 (GRADE 60).
 - TOP SLAB (As .62) #5 BARS AT 6" C.C.E.W..
 - RISER/WALLS (As .12)
- FLOOR (As .31) #5 BARS AT 12" C.C.E.W.
4. HOE 525 PROVIDED BY ICAST



PLAN VIEW



SECTION A-A

Coating (Int):
 Coating (Ext):

Seam Up: Flat
 Seam Dn: Groove

Wall Thickness: 5"

Height (Ext): 12"

Weight (Net): 1300 lb
 Volume (Net): 0.46cu.yd

Job Name: 25-2666 Residential Subdivision
 Job Location: Hawesville, Ky
 Contractor: Winwater Hartford KY Co.

Plant: 100

12/15/2025 8:25:03 AM

Tech: C.Russ

PC: A.Chambers



Structure ID: CBI AB2

P1 BX2436-08BVF

BOX BASE 8inW, 8inF, Variable Ht F/n

- P2) 24" x 36" - CASTING HEIGHT - 6"
- P1) 24" x 36" - BOX BASE 8inW, 8inF, Variable Ht F/n - 26"
- 1) CASTING - HOE 525 LV SET (F/G/H)
- 1) 24" x 36" - SGL 1"x14.5' Butyl
- 1) Hole - 18
- 1) Hole - 14

0 lb
 3775 lb
 442 lb
 0 lb
 0 lb
 0 lb
 0 lb
 Structure Total: 4217 lb

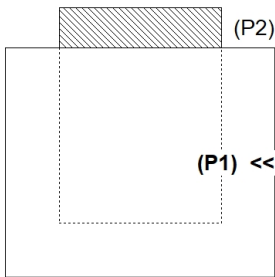
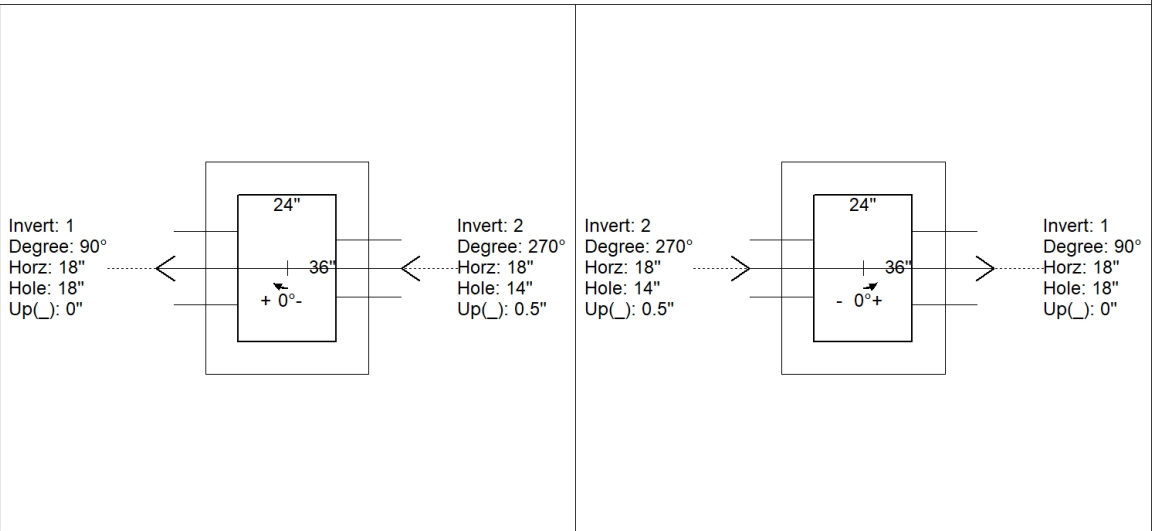
- Structure Notes:**
1. PER ASTM C913 SPECIFICATIONS.
 2. CONCRETE = 4,000 PSI AT 28 DAYS.
 3. NO INVERT CHANNEL.
 4. REINFORCING PER ASTM A615 (GRADE 60).
 - TOP SLAB (As .62) #5 BARS AT 6" C.C.E.W.
 - WALLS (As .12) #5 BARS AT 12" C.C.E.W.
 - FLOOR (As .12) #5 BARS AT 12" C.C.E.W.
 5. HOE 525 PROVIDED BY ICAST

Rim: 526.59' Rim to Invert: 2.6' Slack: 0.45" Sump: 1.25" Step Position: 0°

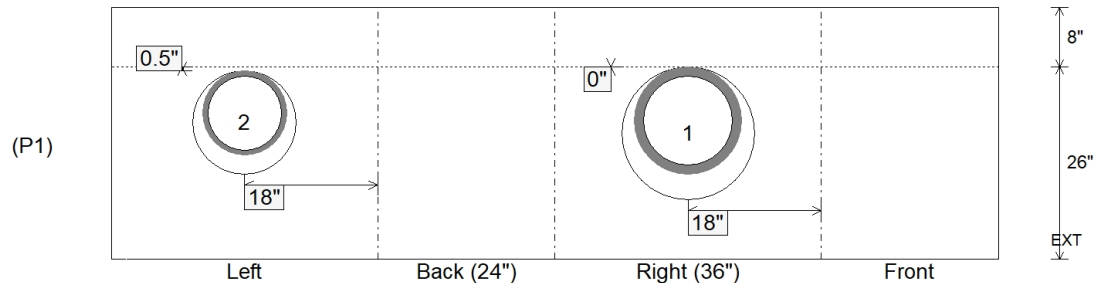
Position	Elev	Angle	Ext. (cw)	Pipe	Pipe OD	Connector	Hole	Horz Size	Up ()	Offset
Invert 1	523.99'	90°	26"	12" HDPE	14.5"	Hole 18	18"	18"	0"	0"
Invert 2	523.99'	270°	26"	10" HDPE	11.4"	Hole 14	14"	14"	0.5"	0"
Invert 3										
Invert 4										
Invert 5										
Invert 6										
Invert 7										
Invert 8										

RIGHT-SIDE UP VIEW (int. dimensions)

UPSIDE-DOWN VIEW (int. dimenions)



INSIDE WALL DIMENSIONS



Coating (Int):
 Coating (Ext):

Seam Up: Flat
 Seam Dn: n/a

Wall Thickness: 8"
 Floor Height: 8"

Height (Int): 26"
 Height (Ext): 34"

Weight (Net): 3775 lb
 Volume (Net): 0.96cu.yd

Job Name: 25-2666 Residential Subdivision
 Job Location: Hawesville, Ky
 Contractor: Winwater Hartford KY Co.

Plant: 100

12/15/2025 8:25:04 AM

Tech: C.Russ

PC: A.Chambers



Structure ID: CBI AB3

P1 BX2436-08BVF

BOX BASE 8inW, 8inF, Variable Ht F/n

- P2) 24" x 36" - CASTING HEIGHT - 6"
- P1) 24" x 36" - BOX BASE 8inW, 8inF, Variable Ht F/n - 22"
- 1) CASTING - HOE 525 LV SET (F/G/H)
- 1) 24" x 36" - SGL 1"x14.5' Butyl
- 1) Hole - 14

0 lb
 3538 lb
 442 lb
 0 lb
 0 lb

 Structure Total: 3980 lb

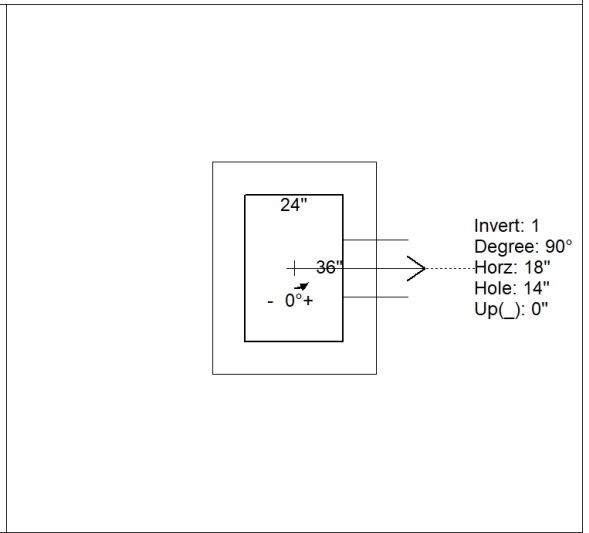
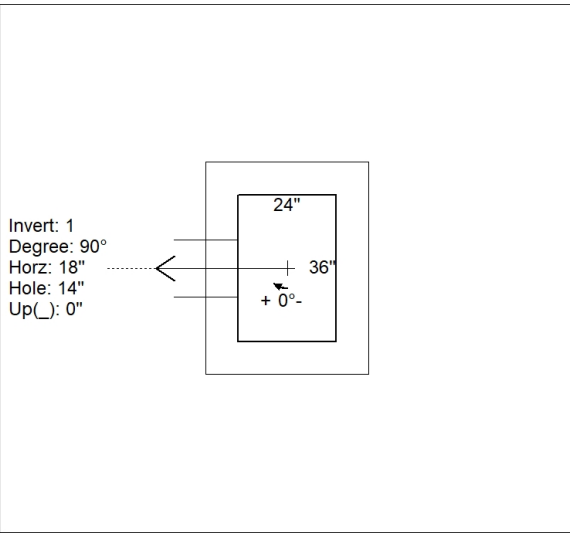
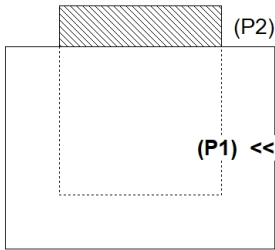
- Structure Notes:
1. PER ASTM C913 SPECIFICATIONS.
 2. CONCRETE = 4,000 PSI AT 28 DAYS.
 3. NO INVERT CHANNEL.
 4. REINFORCING PER ASTM A615 (GRADE 60).
 - TOP SLAB (As .62) #5 BARS AT 6" C.C.E.W.
 - WALLS (As .12) #5 BARS AT 12" C.C.E.W.
 - FLOOR (As .12) #5 BARS AT 12" C.C.E.W.
 5. HOE 525 PROVIDED BY ICAST

Rim: 526.59' Rim to Invert: 2.33' Slack: 0.66" Sump: 0.7" Step Position: 0°

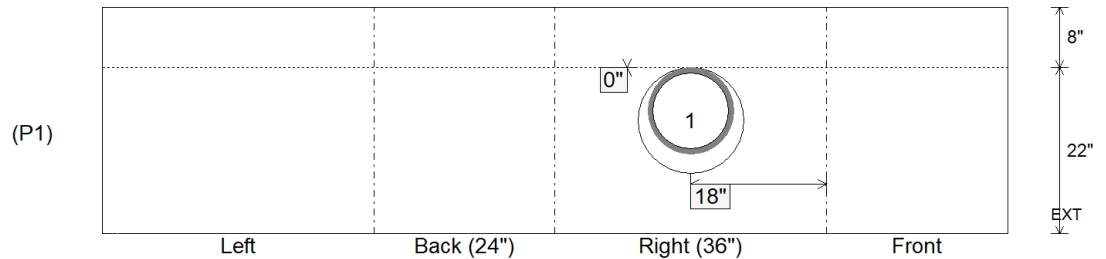
Position	Elev	Angle	Ext. (cw)	Pipe	Pipe OD	Connector	Hole	Horz Size	Up ()	Offset
Invert 1	524.26'	90°	26"	10" HDPE	11.4"	Hole 14	14"	14"	0"	0"
Invert 2										
Invert 3										
Invert 4										
Invert 5										
Invert 6										
Invert 7										
Invert 8										

RIGHT-SIDE UP VIEW (int. dimensions)

UPSIDE-DOWN VIEW (int. dimenions)



INSIDE WALL DIMENSIONS



Coating (Int):
 Coating (Ext):

Seam Up: Flat
 Seam Dn: n/a

Wall Thickness: 8"
 Floor Height: 8"

Height (Int): 22"
 Height (Ext): 30"

Weight (Net): 3538 lb
 Volume (Net): 0.9cu.yd

Job Name: 25-2666 Residential Subdivision
 Job Location: Hawesville, Ky
 Contractor: Winwater Hartford KY Co.

Plant: 100

12/15/2025 8:25:04 AM

Tech: C.Russ

PC: A.Chambers



Structure ID: CBI AC2

P1 BX2436-08BVF

BOX BASE 8inW, 8inF, Variable Ht F/n

- P2) 24" x 36" - CASTING HEIGHT - 6"
- P1) 24" x 36" - BOX BASE 8inW, 8inF, Variable Ht F/n - 24"
- 1) CASTING - HOE 525 LV SET (F/G/H)
- 1) 24" x 36" - SGL 1"x14.5' Butyl
- 1) Hole - 18
- 1) Hole - 14

0 lb
 3571 lb
 442 lb
 0 lb
 0 lb
 0 lb
 0 lb
 Structure Total: 4013 lb

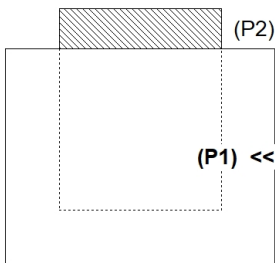
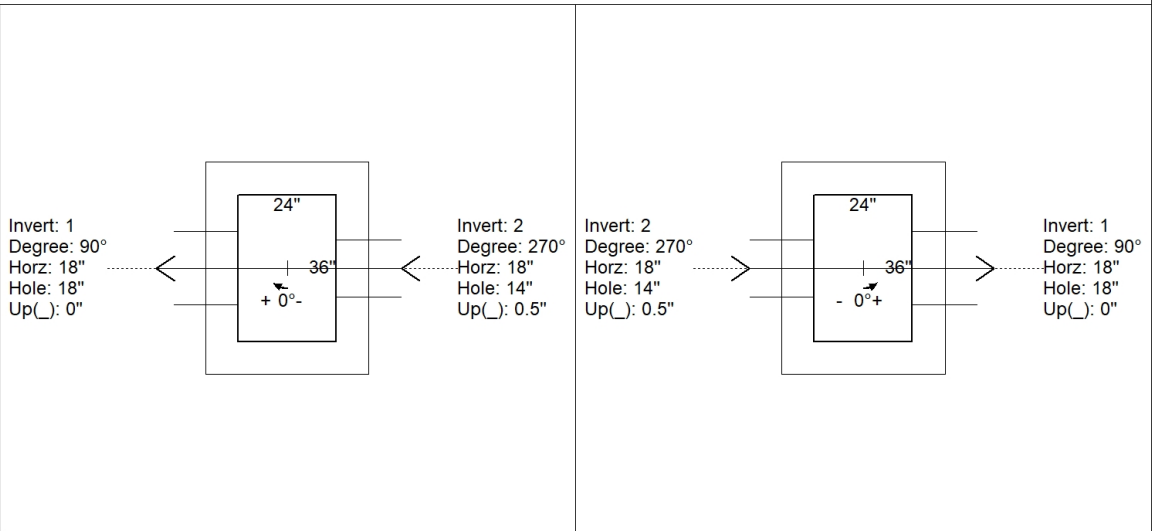
- Structure Notes:**
1. PER ASTM C913 SPECIFICATIONS.
 2. CONCRETE = 4,000 PSI AT 28 DAYS.
 3. NO INVERT CHANNEL.
 4. REINFORCING PER ASTM A615 (GRADE 60).
 - TOP SLAB (As .62) #5 BARS AT 6" C.C.E.W.
 - WALLS (As .12) #5 BARS AT 12" C.C.E.W.
 - FLOOR (As .12) #5 BARS AT 12" C.C.E.W.
 5. HOE 525 PROVIDED BY ICAST

Rim: 522.36' Rim to Invert: 2.42' Slack: 0.29" Sump: 1.25" Step Position: 0°

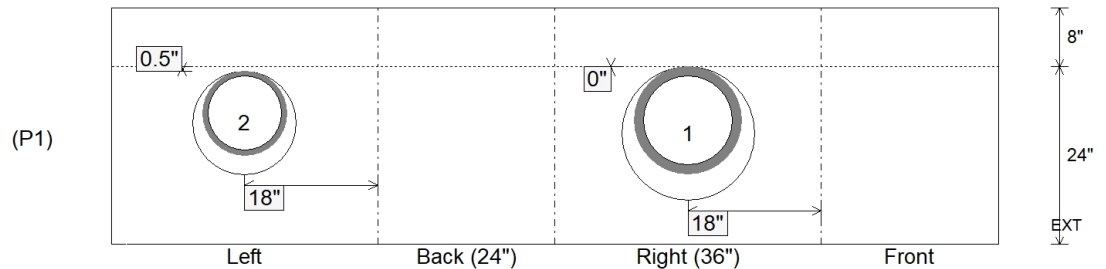
Position	Elev	Angle	Ext. (cw)	Pipe	Pipe OD	Connector	Hole	Horz Size	Up ()	Offset
Invert 1	519.94'	90°	26"	12" HDPE	14.5"	Hole 18	18"	18"	0"	0"
Invert 2	519.94'	270°	26"	10" HDPE	11.4"	Hole 14	14"	14"	0.5"	0"
Invert 3										
Invert 4										
Invert 5										
Invert 6										
Invert 7										
Invert 8										

RIGHT-SIDE UP VIEW (int. dimensions)

UPSIDE-DOWN VIEW (int. dimenions)



INSIDE WALL DIMENSIONS



Coating (Int): Coating (Ext):	Seam Up: Flat Seam Dn: n/a	Wall Thickness: 8" Floor Height: 8"	Height (Int): 24" Height (Ext): 32"	Weight (Net): 3571 lb Volume (Net): 0.91cu.yd
----------------------------------	-------------------------------	--	--	--

Job Name: 25-2666 Residential Subdivision
 Job Location: Hawesville, Ky
 Contractor: Winwater Hartford KY Co.

Plant: 100

12/15/2025 8:25:05 AM

Tech: C.Russ

PC: A.Chambers



Structure ID: CBI AC3

P1 BX2436-08BVF

BOX BASE 8inW, 8inF, Variable Ht F/n

- P2) 24" x 36" - CASTING HEIGHT - 6"
- P1) 24" x 36" - BOX BASE 8inW, 8inF, Variable Ht F/n - 22"
- 1) CASTING - HOE 525 LV SET (F/G/H)
- 1) 24" x 36" - SGL 1"x14.5' Butyl
- 1) Hole - 14

0 lb
 3527 lb
 442 lb
 0 lb
 0 lb

 Structure Total: 3969 lb

Structure Notes:

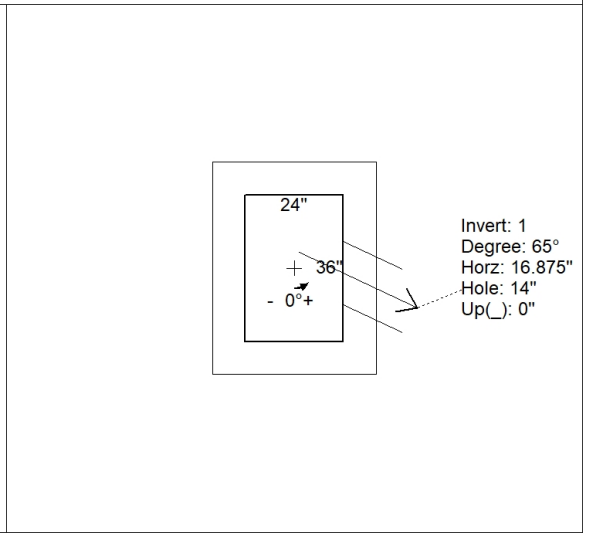
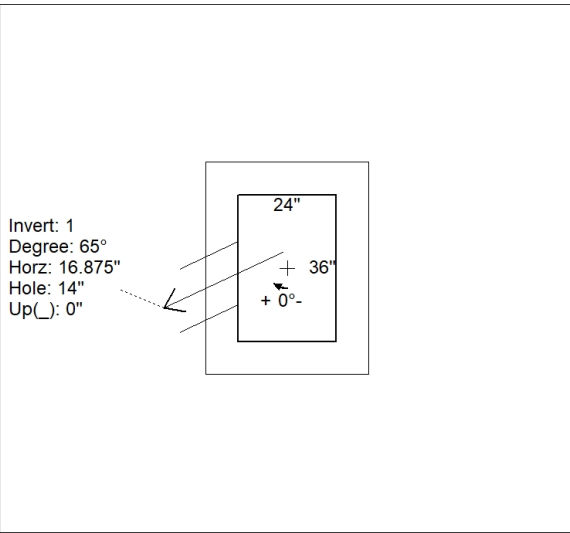
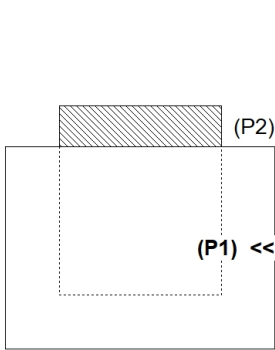
1. PER ASTM C913 SPECIFICATIONS.
2. CONCRETE = 4,000 PSI AT 28 DAYS.
3. NO INVERT CHANNEL.
4. REINFORCING PER ASTM A615 (GRADE 60).
 - TOP SLAB (As .62) #5 BARS AT 6" C.C.E.W.
 - WALLS (As .12) #5 BARS AT 12" C.C.E.W.
 - FLOOR (As .12) #5 BARS AT 12" C.C.E.W.
5. HOE 525 PROVIDED BY ICAST

Rim: 523.11' Rim to Invert: 2.34' Slack: 0.78" Sump: 0.7" Step Position: 0°

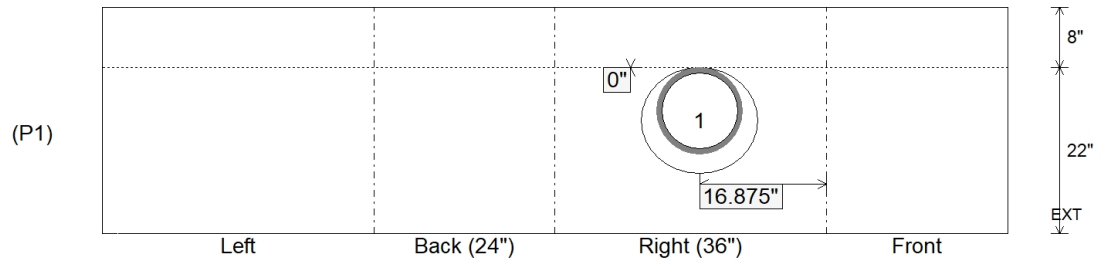
Position	Elev	Angle	Ext. (cw)	Pipe	Pipe OD	Connector	Hole	Horz Size	Up ()	Offset
Invert 1	520.77'	65°	21.125"	10" HDPE	11.4"	Hole 14	14"	15.447"	0"	4"
Invert 2										
Invert 3										
Invert 4										
Invert 5										
Invert 6										
Invert 7										
Invert 8										

RIGHT-SIDE UP VIEW (int. dimensions)

UPSIDE-DOWN VIEW (int. dimenions)



INSIDE WALL DIMENSIONS



Coating (Int):
 Coating (Ext):

Seam Up: Flat
 Seam Dn: n/a

Wall Thickness: 8"
 Floor Height: 8"

Height (Int): 22"
 Height (Ext): 30"

Weight (Net): 3527 lb
 Volume (Net): 0.9cu.yd

Job Name: 25-2666 Residential Subdivision
 Job Location: Hawesville, Ky
 Contractor: Winwater Hartford KY Co.

Plant: 100

12/15/2025 8:25:05 AM

Tech: C.Russ

PC: A.Chambers



Structure ID: CBI BA2

P1 BX2436-08BVF

BOX BASE 8inW, 8inF, Variable Ht F/n

- P2) 24" x 36" - CASTING HEIGHT - 6"
- P1) 24" x 36" - BOX BASE 8inW, 8inF, Variable Ht F/n - 26"
- 1) CASTING - HOE 525 LV SET (F/G/H)
- 1) 24" x 36" - SGL 1"x14.5' Butyl
- 1) Hole - 20
- 1) Hole - 16

0 lb
 3690 lb
 442 lb
 0 lb
 0 lb
 0 lb
 0 lb

 Structure Total: 4132 lb

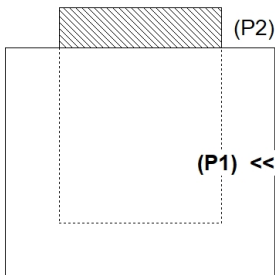
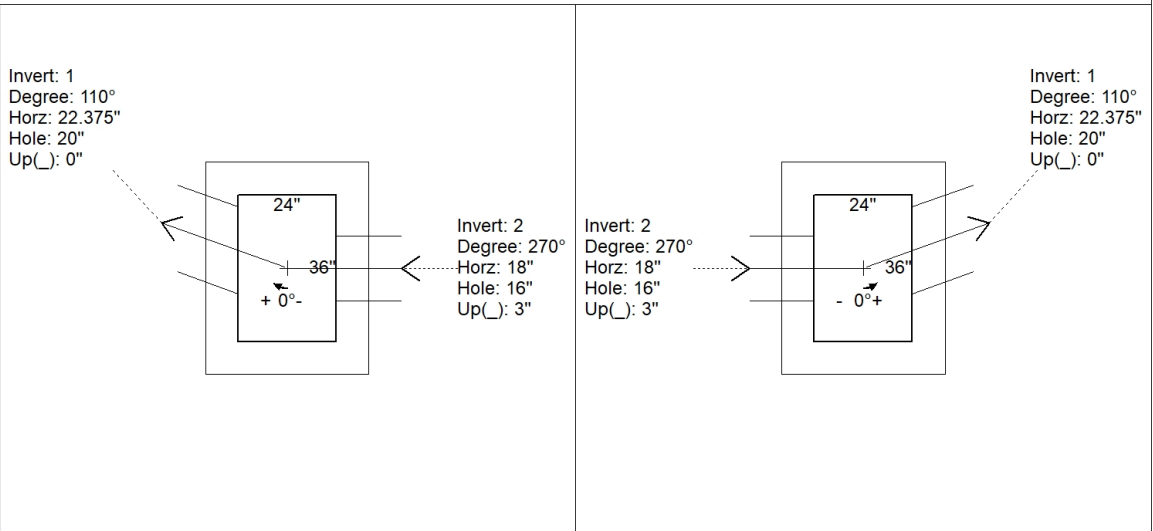
- Structure Notes:**
1. PER ASTM C913 SPECIFICATIONS.
 2. CONCRETE = 4,000 PSI AT 28 DAYS.
 3. NO INVERT CHANNEL.
 4. REINFORCING PER ASTM A615 (GRADE 60).
 - TOP SLAB (As .62) #5 BARS AT 6" C.C.E.W.
 - WALLS (As .12) #5 BARS AT 12" C.C.E.W.
 - FLOOR (As .12) #5 BARS AT 12" C.C.E.W.
 5. HOE 525 PROVIDED BY ICAST

Rim: 530.63' Rim to Invert: 2.59' Slack: 0.38" Sump: 1.3" Step Position: 0°

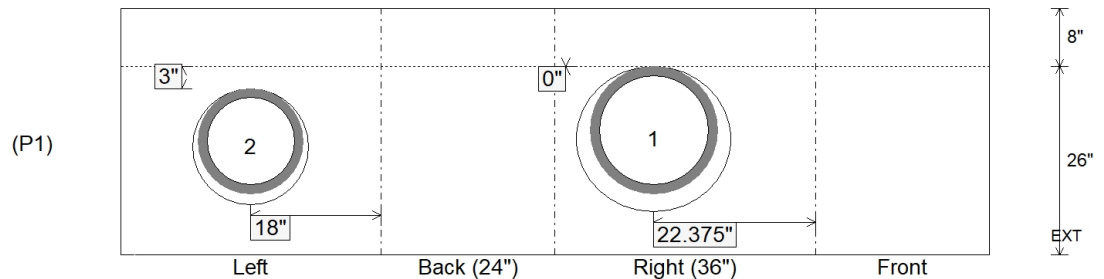
Position	Elev	Angle	Ext. (cw)	Pipe	Pipe OD	Connector	Hole	Horz Size	Up ()	Offset
Invert 1	528.04'	110°	33.25"	15" HDPE	17.6"	Hole 20	20"	21.284"	0"	0"
Invert 2	528.29'	270°	26"	12" HDPE	14.5"	Hole 16	16"	16"	3"	0"
Invert 3										
Invert 4										
Invert 5										
Invert 6										
Invert 7										
Invert 8										

RIGHT-SIDE UP VIEW (int. dimensions)

UPSIDE-DOWN VIEW (int. dimenions)



INSIDE WALL DIMENSIONS



Coating (Int):
 Coating (Ext):

Seam Up: Flat
 Seam Dn: n/a

Wall Thickness: 8"
 Floor Height: 8"

Height (Int): 26"
 Height (Ext): 34"

Weight (Net): 3690 lb
 Volume (Net): 0.94cu.yd

Job Name: 25-2666 Residential Subdivision
 Job Location: Hawesville, Ky
 Contractor: Winwater Hartford KY Co.

Plant: 100
 12/15/2025 8:25:06 AM

Tech: C.Russ
 PC: A.Chambers



Structure ID: CBI BA3

P1 BX2436-08BVF

BOX BASE 8inW, 8inF, Variable Ht F/n

- P2) 24" x 36" - CASTING HEIGHT - 6"
- P1) 24" x 36" - BOX BASE 8inW, 8inF, Variable Ht F/n - 20"
- 1) CASTING - HOE 525 LV SET (F/G/H)
- 1) 24" x 36" - SGL 1"x14.5' Butyl
- 2) Hole - 16

0 lb
 3158 lb
 442 lb
 0 lb
 0 lb

 Structure Total: 3600 lb

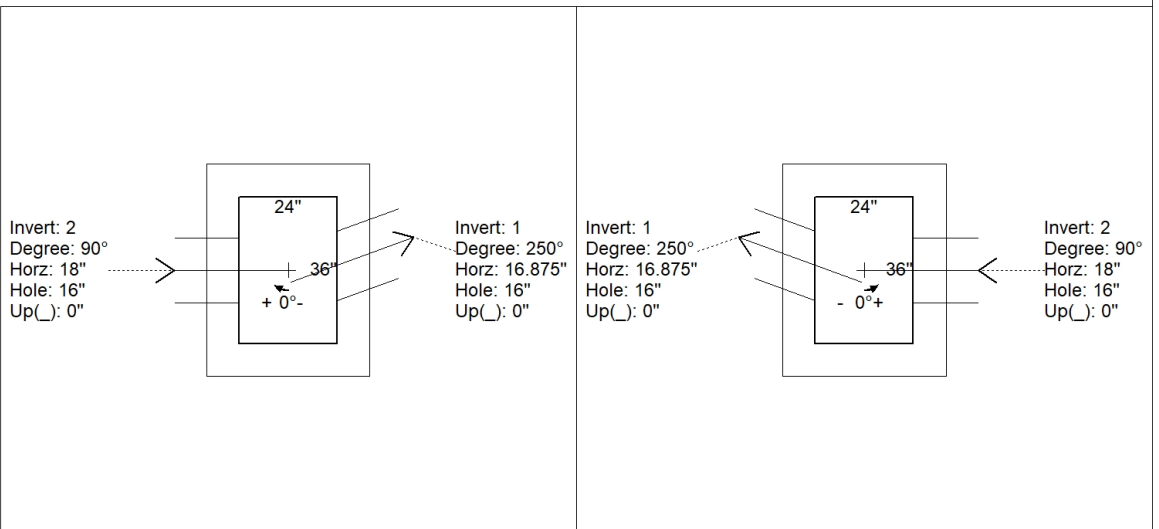
- Structure Notes:
1. PER ASTM C913 SPECIFICATIONS.
 2. CONCRETE = 4,000 PSI AT 28 DAYS.
 3. NO INVERT CHANNEL.
 4. REINFORCING PER ASTM A615 (GRADE 60).
 - TOP SLAB (As .62) #5 BARS AT 6" C.C.E.W.
 - WALLS (As .12) #5 BARS AT 12" C.C.E.W.
 - FLOOR (As .12) #5 BARS AT 12" C.C.E.W.
 5. HOE 525 PROVIDED BY ICAST

Rim: 530.63' Rim to Invert: 2.2' Slack: 1.65" Sump: 1.25" Step Position: 0°

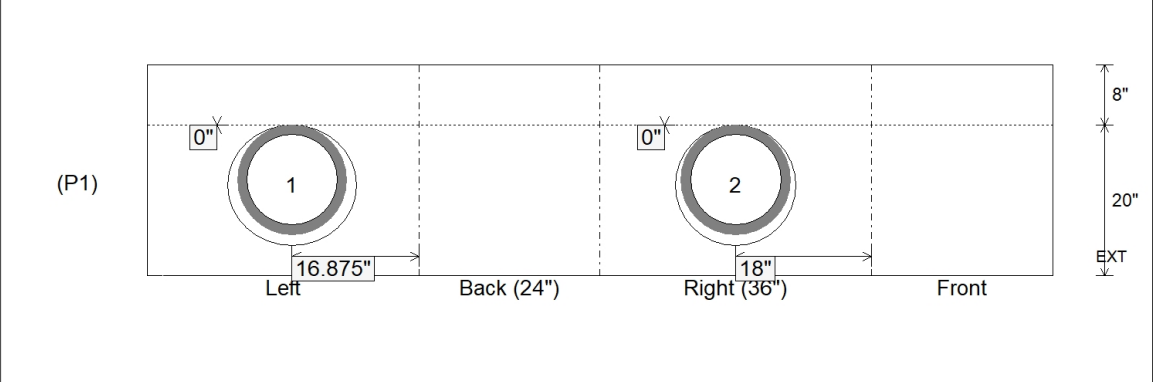
Position	Elev	Angle	Ext. (cw)	Pipe	Pipe OD	Connector	Hole	Horz Size	Up ()	Offset
Invert 1	528.43'	250°	21.875"	12" HDPE	14.5"	Hole 16	16"	17.027"	0"	3"
Invert 2	528.43'	90°	26"	12" HDPE	14.5"	Hole 16	16"	16"	0"	0"
Invert 3										
Invert 4										
Invert 5										
Invert 6										
Invert 7										
Invert 8										

RIGHT-SIDE UP VIEW (int. dimensions)

UPSIDE-DOWN VIEW (int. dimenions)



INSIDE WALL DIMENSIONS



Coating (Int): Coating (Ext):	Seam Up: Flat Seam Dn: n/a	Wall Thickness: 8" Floor Height: 8"	Height (Int): 20" Height (Ext): 28"	Weight (Net): 3158 lb Volume (Net): 0.81cu.yd
----------------------------------	-------------------------------	--	--	--

Job Name: 25-2666 Residential Subdivision
 Job Location: Hawesville, Ky
 Contractor: Winwater Hartford KY Co.

Plant: 100

12/15/2025 8:25:02 AM

Tech: C.Russ

PC: A.Chambers



Structure ID: DBI AA5

P1 MH048BA54

MH BASE Custom Ht T/n

- P4) 24" x 36" - CASTING HEIGHT - 4"
- P3) 24" x 36" - GRADE RING F/F - 3"
- P2) 48" - MH FLAT TOP w/24"x36" Hole F/G - 12"
- P1) 48" - MH BASE Custom Ht T/n - 54"
- 1) 48" - SGL 1"x14.5' Butyl (2x)
- 2) Hole - 30
- 4) MH Step ML-10-TDS-NCR - 10"

0 lb
 306 lb
 1300 lb
 4471 lb
 0 lb
 0 lb
 0 lb

 Structure Total: 6077 lb

Structure Notes:
 1. PER ASTM C478 SPECIFICATIONS.
 2. CONCRETE = 4,000 PSI AT 28 DAYS.
 3. REINFORCING PER ASTM A615 (GRADE 60).
 - TOP SLAB (As .62) #5 BARS AT 6" C.C.E.W..
 - RISER/WALLS (As .12)
 - FLOOR (As .31) #5 BARS AT 12" C.C.E.W.
 4. HOE 518 PROVIDED BY ICAST
 5. VERIFY THE REQUIRED TYPE & SIZE. SUBMITTED

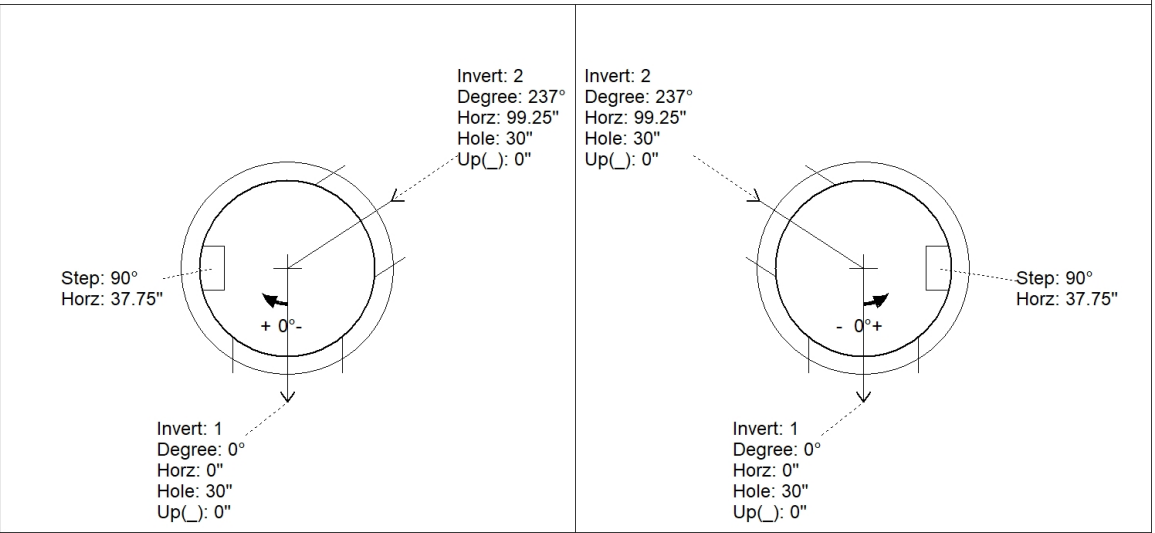
AS A 24"X36" CASTING TO ACCOMODATE THE PIPE SKEWS & EXISTING INLET ELEVATION.

Rim: 520.5' Rim to Invert: 6' Slack: 0.9" Sump: 1.9" Step Position: 90°

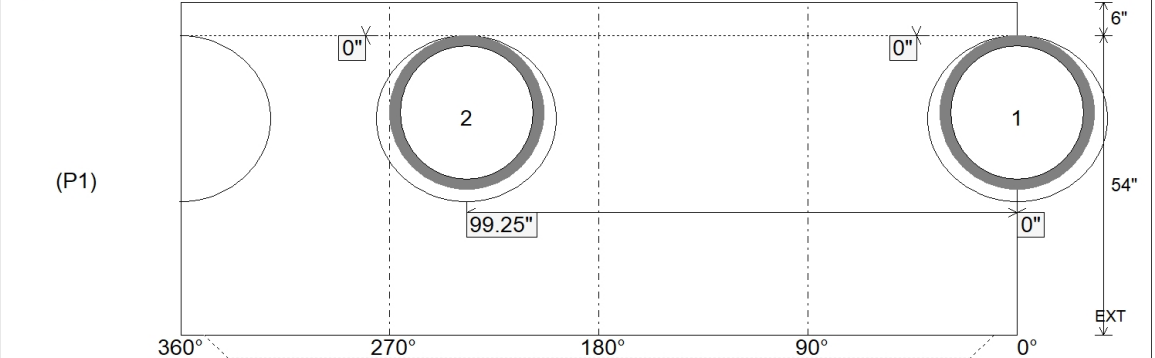
Position	Elev	Angle	Ext. (cw)	Pipe	Pipe OD	Connector	Hole	Horz Size	Up ()	Offset
Invert 1	514.5'	0°	0"	24" HDPE	27.8"	Hole 30	30"	32.406"	0"	0"
Invert 2	514.5'	237°	120"	24" HDPE	27.8"	Hole 30	30"	32.406"	0"	0"
Invert 3										
Invert 4										
Invert 5										
Invert 6										
Invert 7										
Invert 8										

RIGHT-SIDE UP VIEW (int. dimensions)

UPSIDE-DOWN VIEW (int. dimenions)



INSIDE WALL DIMENSIONS



Coating (Int): Coating (Ext):	Seam Up: Tongue Seam Dn: n/a	Wall Thickness: 5" Floor Height: 6"	Height (Int): 54" Height (Ext): 60"	Weight (Net): 4471 lb Volume (Net): 1.14cu.yd
----------------------------------	---------------------------------	--	--	--

Job Name: 25-2666 Residential Subdivision
 Job Location: Hawesville, Ky
 Contractor: Winwater Hartford KY Co.

Plant: 100

12/15/2025 8:26:08 AM

Tech: C.Russ

PC: A.Chambers



Structure ID: DBI AA5

P2 MH048LD12-24X36RECT

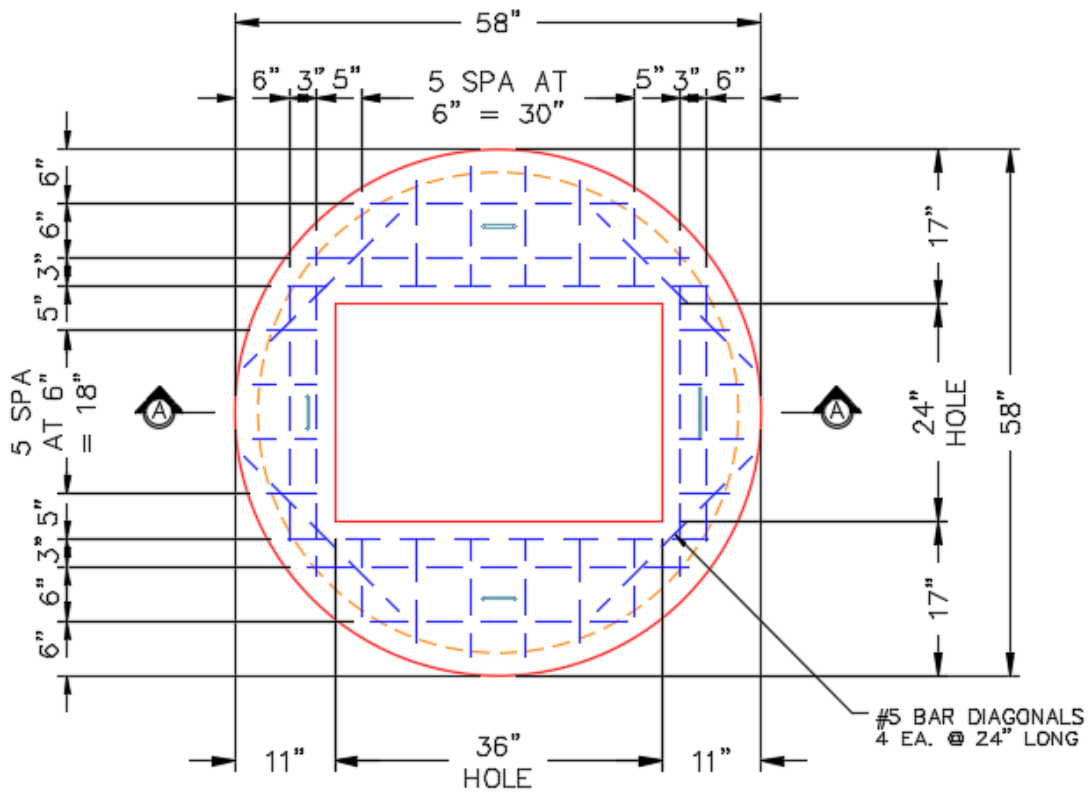
MH FLAT TOP w/24"x36" Hole F/G

- P4) 24" x 36" - CASTING HEIGHT - 4"
- P3) 24" x 36" - GRADE RING F/F - 3"
- P2) 48" - MH FLAT TOP w/24"x36" Hole F/G - 12"
- P1) 48" - MH BASE Custom Ht T/n - 54"
- 1) 48" - SGL 1"x14.5' Butyl (2x)
- 2) Hole - 30"
- 4) MH Step ML-10-TDS-NCR - 10"

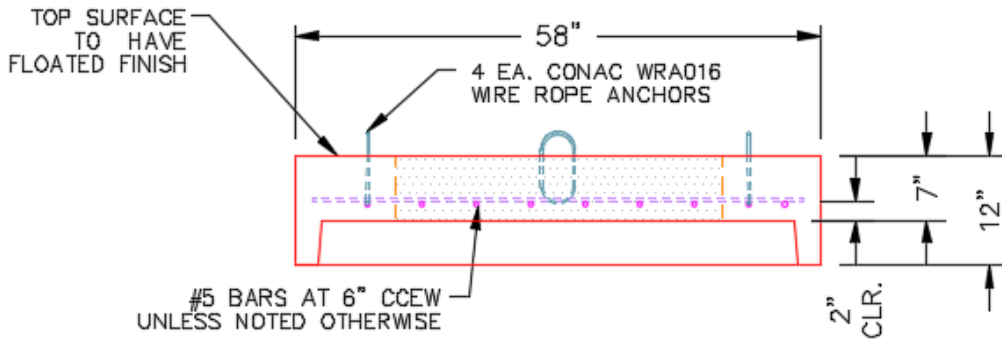
	0 lb
	306 lb
	1300 lb
	4471 lb
	0 lb
	0 lb
	0 lb
Structure Total:	6077 lb

Structure Notes:

1. PER ASTM C478 SPECIFICATIONS.
 2. CONCRETE = 4,000 PSI AT 28 DAYS.
 3. REINFORCING PER ASTM A615 (GRADE 60).
 - TOP SLAB (As .62) #5 BARS AT 6" C.C.E.W..
 - RISER/WALLS (As .12)
 - FLOOR (As .31) #5 BARS AT 12" C.C.E.W.
 4. HOE 518 PROVIDED BY ICAST
 5. VERIFY THE REQUIRED TYPE & SIZE. SUBMITTED
- AS A 24"x36" CASTING TO ACCOMODATE THE PIPE SKEWS & EXISTING INLET ELEVATION.



PLAN VIEW



SECTION A-A

Coating (Int):
 Coating (Ext):

Seam Up: Flat
 Seam Dn: Groove

Wall Thickness: 5"

Height (Ext): 12"

Weight (Net): 1300 lb
 Volume (Net): 0.46cu.yd

Job Name: 25-2666 Residential Subdivision
 Job Location: Hawesville, Ky
 Contractor: Winwater Hartford KY Co.

Plant: 100

12/15/2025 8:26:08 AM

Tech: C.Russ

PC: A.Chambers



Structure ID: DBI AA5

P3 GR24x36x8x3

GRADE RING F/F

- P4) 24" x 36" - CASTING HEIGHT - 4"
- P3) 24" x 36" - GRADE RING F/F - 3"
- P2) 48" - MH FLAT TOP w/24"x36" Hole F/G - 12"
- P1) 48" - MH BASE Custom Ht T/n - 54"
- 1) 48" - SGL 1"x14.5' Butyl (2x)
- 2) Hole - 30
- 4) MH Step ML-10-TDS-NCR - 10"

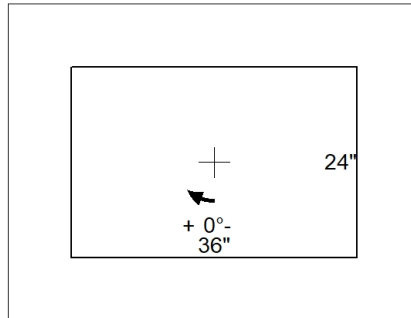
0 lb
 306 lb
 1300 lb
 4471 lb
 0 lb
 0 lb
 0 lb

 6077 lb

Structure Total:

Structure Notes:

1. PER ASTM C478 SPECIFICATIONS.
 2. CONCRETE = 4,000 PSI AT 28 DAYS.
 3. REINFORCING PER ASTM A615 (GRADE 60).
 - TOP SLAB (As .62) #5 BARS AT 6" C.C.E.W..
 - RISER/WALLS (As .12)
 - FLOOR (As .31) #5 BARS AT 12" C.C.E.W.
 4. HOE 518 PROVIDED BY ICAST
 5. VERIFY THE REQUIRED TYPE & SIZE. SUBMITTED
- AS A 24"X36" CASTING TO ACCOMODATE THE PIPE SKEWS & EXISTING INLET ELEVATION.



Coating (Int):
 Coating (Ext):

Seam Up: Flat
 Seam Dn: Flat

Wall Thickness: 8"

Height (Ext): 3"

Weight (Net): 306 lb
 Volume (Net): 0.08cu.yd

Job Name: 25-2666 Residential Subdivision
 Job Location: Hawesville, Ky
 Contractor: Winwater Hartford KY Co.

Plant: 100

12/15/2025 8:25:03 AM

Tech: C.Russ

PC: A.Chambers



Structure ID: DBI AA6

P1 BX3636-08BA36

BOX BASE 8inW, 8inF T/n

- P3) 36" x 36" - CASTING HEIGHT - 3"
- P2) 36" x 36" - BOX RISER 8inW, Variable Ht F/G - 44"
- P1) 36" x 36" - BOX BASE 8inW, 8inF T/n - 36"
- 1) CASTING - HOE 595 F/G
- 2) 36" x 36" - SGL 1"x14.5' Butyl (2x)
- 1) Hole - 30
- 1) DOGHOUSE INVRTD - 24"x26"
- 7) MH Step ML-10-TDS-NCR - 10"

0 lb
 4762 lb
 5521 lb
 376 lb
 0 lb
 0 lb
 0 lb
 0 lb

 Structure Total: 10658 lb

Structure Notes:

1. PER ASTM C478 SPECIFICATIONS.
2. CONCRETE = 4,000 PSI AT 28 DAYS.
3. REINFORCING PER ASTM A615 (GRADE 60).
 - TOP SLAB (As .62) #5 BARS AT 6" C.C.E.W..
 - RISER/WALLS (As .12)
 - FLOOR (As .31) #5 BARS AT 12" C.C.E.W.
4. CAST IN HOE 595 PROVIDED BY ICAST.
5. VERIFY THE REQUIRED TYPE & SIZE. SUBMITTED

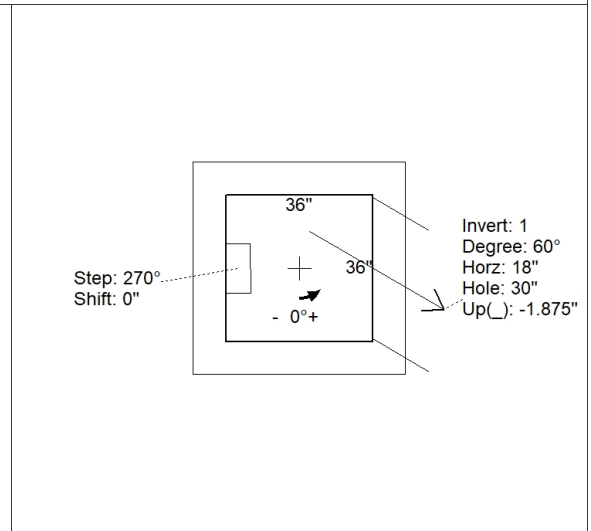
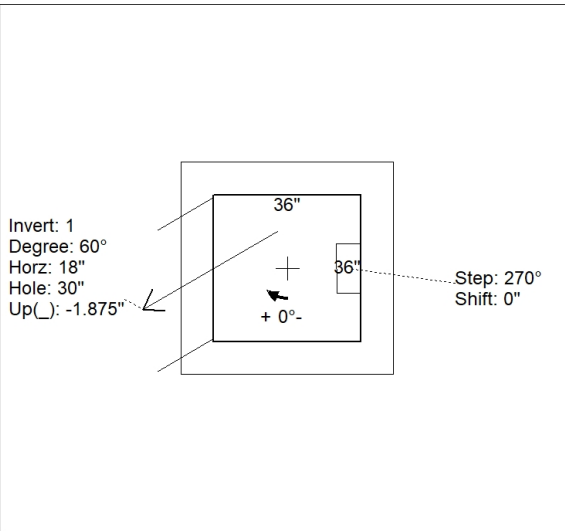
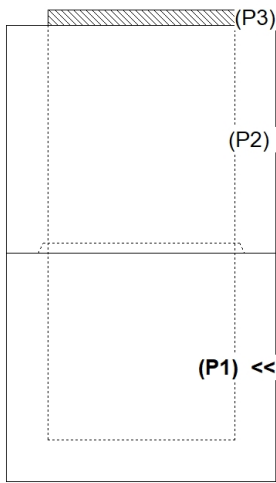
AS A 36"x36" CASTING TO ACCOMODATE THE PIPE SKEWS & EXISTING INLET ELEVATION.

Rim: 523.34' Rim to Invert: 6.94' Slack: 0.28" Sump: 0" Step Position: 270°

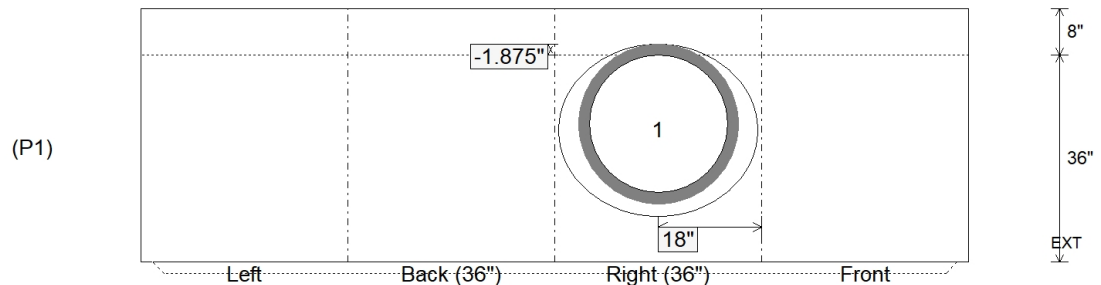
Position	Elev	Angle	Ext. (cw)	Pipe	Pipe OD	Connector	Hole	Horz Size	Up ()	Offset
Invert 1	516.4'	60°	21.375"	24" HDPE	27.8"	Hole 30	30"	34.641"	-1.875"	9"
Invert 2										
Invert 3										
Invert 4										
Invert 5										
Invert 6										
Invert 7										
Invert 8										

RIGHT-SIDE UP VIEW (int. dimensions)

UPSIDE-DOWN VIEW (int. dimenions)



INSIDE WALL DIMENSIONS



Coating (Int):
 Coating (Ext):

Seam Up: Tongue
 Seam Dn: n/a

Wall Thickness: 8"
 Floor Height: 8"

Height (Int): 36"
 Height (Ext): 44"

Weight (Net): 5521 lb
 Volume (Net): 1.41cu.yd

Job Name: 25-2666 Residential Subdivision
 Job Location: Hawesville, Ky
 Contractor: Winwater Hartford KY Co.

Plant: 100

12/15/2025 8:25:39 AM

Tech: C.Russ

PC: A.Chambers



Structure ID: DBI AA6

P2 BX363608R-VF

BOX RISER 8inW, Variable Ht F/G

- P3) 36" x 36" - CASTING HEIGHT - 3"
- P2) 36" x 36" - BOX RISER 8inW, Variable Ht F/G - 44"
- P1) 36" x 36" - BOX BASE 8inW, 8inF T/n - 36"
- 1) CASTING - HOE 595 F/G
- 2) 36" x 36" - SGL 1"x14.5' Butyl (2x)
- 1) Hole - 30
- 1) DOGHOUSE INVRTD - 24"x26"
- 7) MH Step ML-10-TDS-NCR - 10"

0 lb
 4762 lb
 5521 lb
 376 lb
 0 lb
 0 lb
 0 lb
 0 lb
 0 lb
 Structure Total: 10658 lb

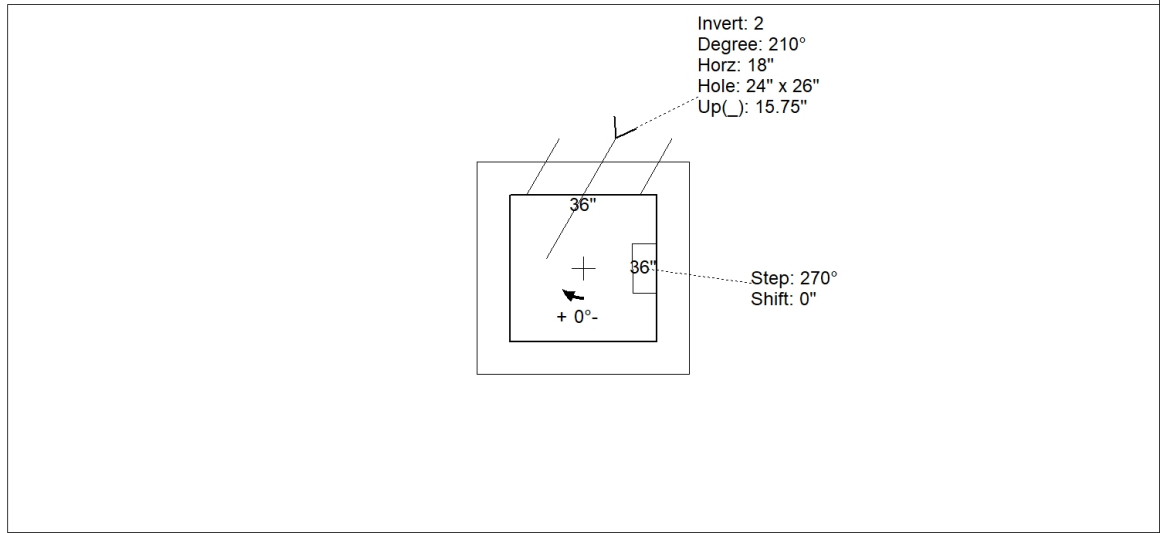
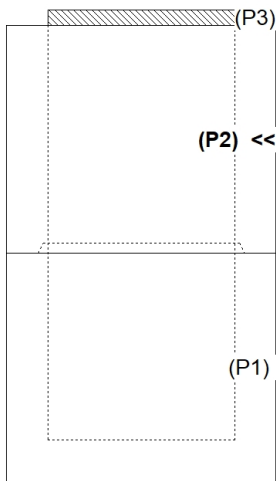
- Structure Notes:**
1. PER ASTM C478 SPECIFICATIONS.
 2. CONCRETE = 4,000 PSI AT 28 DAYS.
 3. REINFORCING PER ASTM A615 (GRADE 60).
 - TOP SLAB (As .62) #5 BARS AT 6" C.C.E.W..
 - RISER/WALLS (As .12)
 - FLOOR (As .31) #5 BARS AT 12" C.C.E.W.
 4. CAST IN HOE 595 PROVIDED BY ICAST.
 5. VERIFY THE REQUIRED TYPE & SIZE. SUBMITTED

AS A 36"x36" CASTING TO ACCOMODATE THE PIPE SKEWS & EXISTING INLET ELEVATION.

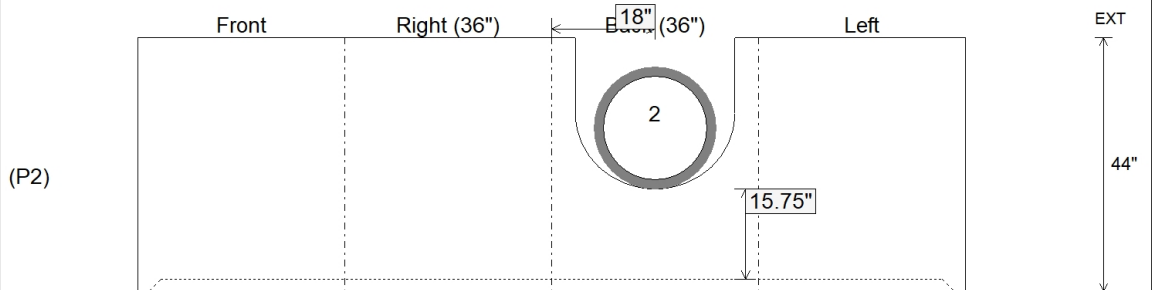
Rim: 523.34' Rim to Invert: 6.94' Slack: 0.28" Sump: 0" Step Position: 270°

Position	Elev	Angle	Ext. (cw)	Pipe	Pipe OD	Connector	Hole	Horz Size	Up ()	Offset
Invert 1										
Invert 2	521.01'	210°	30.625"	18" HDPE	21.2"	DOGHOUSE INVRTD 24"x26"	24" x 26"	27.713"	15.75"	-9"
Invert 3										
Invert 4										
Invert 5										
Invert 6										
Invert 7										
Invert 8										

RIGHT-SIDE UP VIEW (int. dimensions)



INSIDE WALL DIMENSIONS



Coating (Int): Coating (Ext):	Seam Up: Flat Seam Dn: Groove	Wall Thickness: 8" Floor Height: 0"	Height (Int): 44" Height (Ext): 44"	Weight (Net): 4762 lb Volume (Net): 1.22cu.yd
----------------------------------	----------------------------------	--	--	--

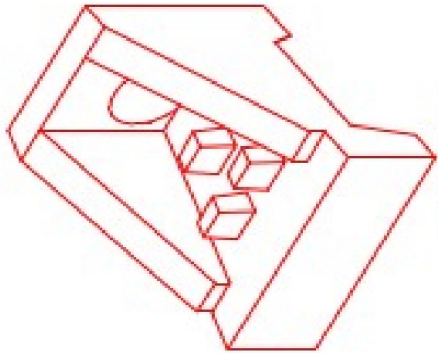


Structure ID: HW AA1

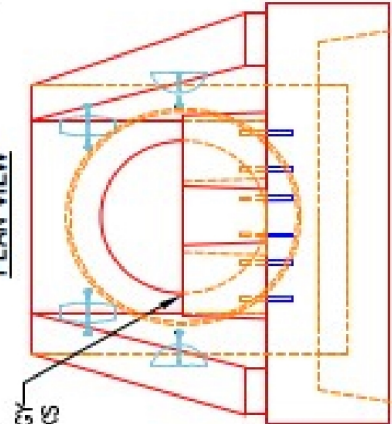
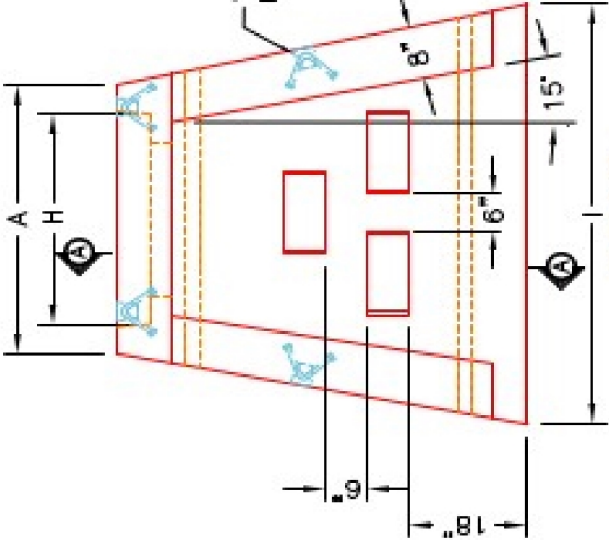
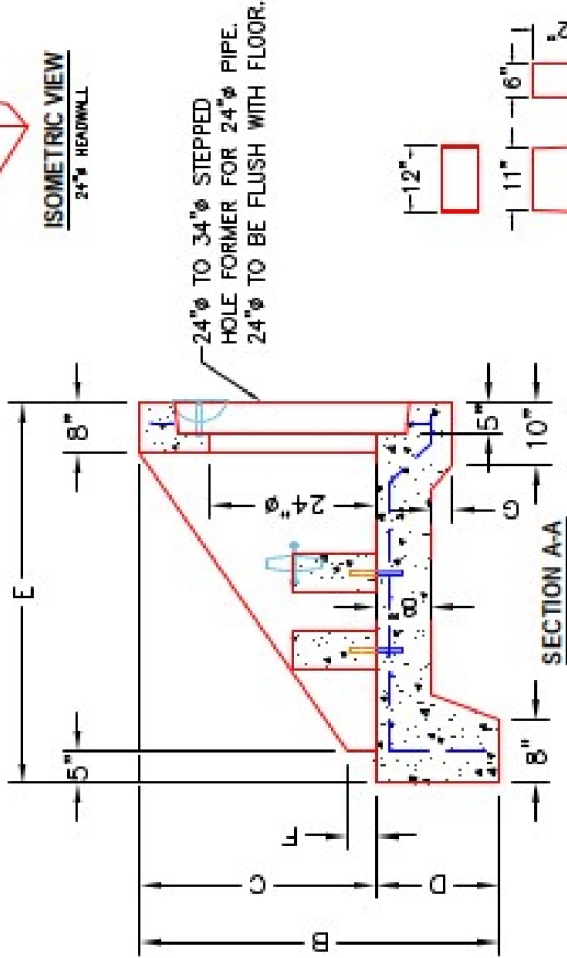
P1 HWSF24D

24" - SLOPED & FLARED HEADWALL w/DISS F/F

DIMENSIONS											
PIPE Ø	A	B	C	D	E	F	G	H	I	WEIGHT	DISSIPATORS
24"	3'-0"	4'-4"	2'-10"	1'-6"	5'-0"	4'	3'F	2'-10"	6'-0"	5,127 LBS.	3 EA.



"A-ANCHOR" LIFTING SYSTEM FOR PLANT & FIELD HANDLING.



- NOTES:**
1. CONCRETE: 4500 PSI @ 28 DAYS.
 2. REINFORCING: #4 BAR, @ 12" C/C E.L.E.-GRADE 60, (WITH 2" CONCRETE COVER MINIMUM)
 3. REINFORCING BARS TO BE TACK WELDED OR TIED.
 4. DRAWING TO BE USED IN CONJUNCTION WITH KYTC STD. DRAWING R01H-030-03 AND THE STANDARD SPECIFICATIONS FOR ROAD AND BRIDGE CONSTRUCTION.
 5. CHAMFER ON ALL EXPOSED EDGES.

PRODUCTION WORK ORDER		PRODUCT I.D.: HWSF24D	DESCRIPTION: KYTC 24"Ø SLOPED & FLARED HEADWALL W/DISSIPATORS
QUALITY CONTROL CHECKLIST		PRODUCT VIEW: RIGHT SIDE UP	CUSTOMER: STOCK
<input type="checkbox"/> ALL DIMENSIONS CORRECT. <input type="checkbox"/> LIFTERS INSTALLED. <input type="checkbox"/> STEPPED HF CORRECT SIZE. <input type="checkbox"/> REINFORCING CORRECT. <input type="checkbox"/> DISSIPATOR BLOCK INSTALLED. <input type="checkbox"/> EDGES CHAMFERED. <input type="checkbox"/> ALL PATCHWORK ACCEPTABLE.		PLANT: BEAVER DAM, KY.	PROJECT: STOCK INVENTORY
		WEIGHT: 5,127 LBS.	STRUCTURE I.D.: N/A
		TOP SECTION JOINT: N/A	QUOTE/SALES ORDER NO: N/A
		BASE SECTION JOINT: N/A	CHECK: J.H. ROSS, PE
		QC CHECK INITIALS:	DATE: 09/09/22
			SCALE: NTS
			PG. 1 of 1





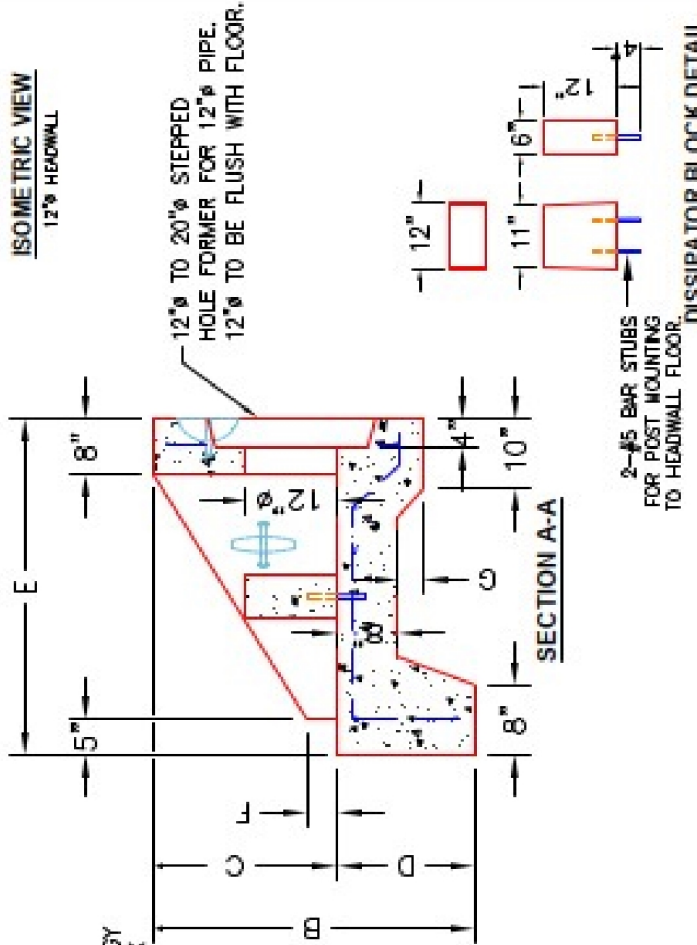
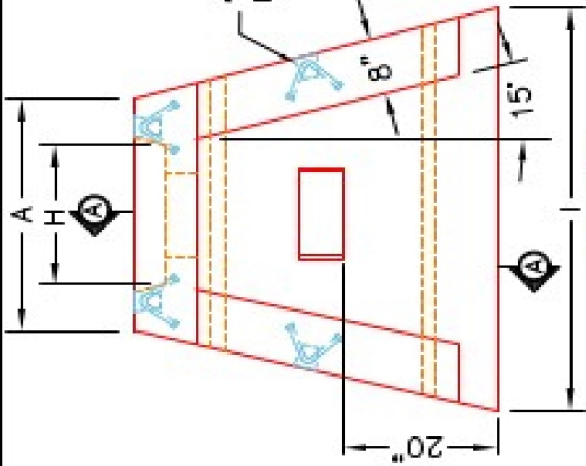
Structure ID: HW AB1

P1 HWSF12D

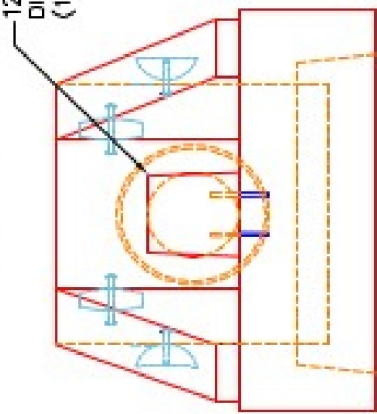
12" - SLOPED & FLARED HEADWALL w/DISS F/F

DIMENSIONS											
PIPE #	A	B	C	D	E	F	G	H	I	WEIGHT	DISSIPATORS
12"	2'-9"	3'-6"	2'-0"	1'-6"	4'-0"	3"	2'-0"	1'-6"	4'-9"	3,161 LBS.	1 EA.

"A"-ANCHOR LIFTING SYSTEM FOR PLANT & FIELD HANDLING.



12"X12"X6" ENERGY DISSIPATOR BLOCK (1 EA.).



- NOTES:**
1. CONCRETE: 4500 PSI @ 28 DAYS.
 2. REINFORCING: #4 BAR @ 12" C/C E.W.-GRADE 60, (WITH 2" CONCRETE COVER MINIMUM)
 3. REINFORCING BARS TO BE TACK WELDED OR TIED.
 4. DRAWING TO BE USED IN CONJUNCTION WITH KYTC STD. DRAWING R04-020-03 AND THE STANDARD SPECIFICATIONS FOR ROAD AND BRIDGE CONSTRUCTION.
 5. 1/4" CHAMFER ON ALL EXPOSED EDGES.

PRODUCTION WORK ORDER		PRODUCT I.D.: HWSF12D	DESCRIPTION: KYTC 12" SLOPED & FLARED HEADWALL W/DISSIPATORS
QUALITY CONTROL CHECKLIST <input type="checkbox"/> ALL DIMENSIONS CORRECT. <input type="checkbox"/> LIFTERS INSTALLED. <input type="checkbox"/> STEPPED HF CORRECT SIZE. <input type="checkbox"/> REINFORCING CORRECT. <input type="checkbox"/> DISSIPATOR BLOCK INSTALLED. <input type="checkbox"/> EDGES CHAMFERED. <input type="checkbox"/> ALL PATCHWORK ACCEPTABLE.		PRODUCT VIEW: RIGHT SIDE UP PLANT: BEAVER DAM, KY. WEIGHT: 3,161 LBS. TOP SECTION JOINT: N/A BASE SECTION JOINT: N/A QC CHECK INITIALS:	CUSTOMER: STOCK PROJECT: STOCK INVENTORY STRUCTURE ID.: N/A QUOTE/SALES ORDER NO: N/A CHECK: J.H. ROSS, PE DATE: 09/06/22 SCALE: NTS PG. 1 of 1





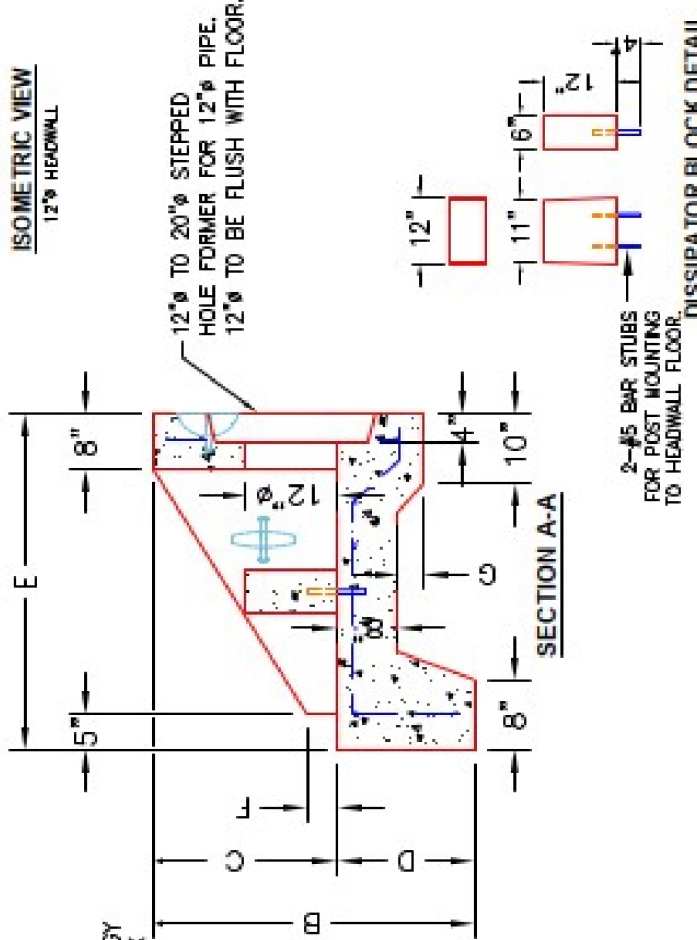
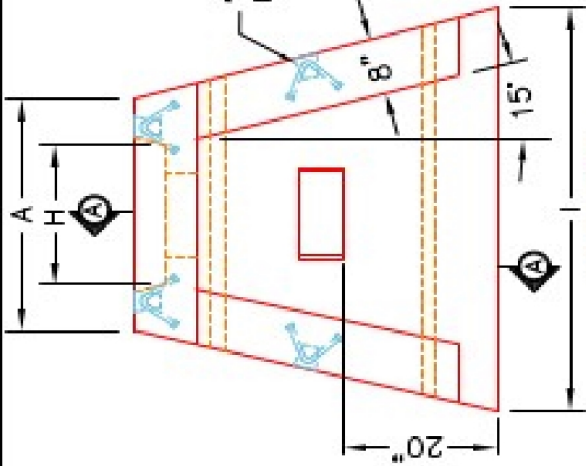
Structure ID: HW AC1

P1 HWSF12D

12" - SLOPED & FLARED HEADWALL w/DISS F/F

DIMENSIONS											
PIPE #	A	B	C	D	E	F	G	H	I	WEIGHT	DISSIPATORS
12"	2'-9"	3'-6"	2'-0"	1'-6"	4'-0"	3"	2'-0"	1'-6"	4'-9"	3,161 LBS.	1 EA.

"A"-ANCHOR LIFTING SYSTEM FOR PLANT & FIELD HANDLING.



- NOTES:**
1. CONCRETE: 4500 PSI @ 28 DAYS.
 2. REINFORCING: #4 BAR @ 12" C/C E.W.-GRADE 60, (WITH 2" CONCRETE COVER MINIMUM)
 3. REINFORCING BARS TO BE TACK WELDED OR TIED.
 4. DRAWING TO BE USED IN CONJUNCTION WITH KYTC STD. DRAWING R04-020-03 AND THE STANDARD SPECIFICATIONS FOR ROAD AND BRIDGE CONSTRUCTION.
 5. 1/2" CHAMFER ON ALL EXPOSED EDGES.

PRODUCTION WORK ORDER		PRODUCT I.D.:	HWSF12D
QUALITY CONTROL CHECKLIST <input type="checkbox"/> ALL DIMENSIONS CORRECT. <input type="checkbox"/> LIFTERS INSTALLED. <input type="checkbox"/> STEPPED HF CORRECT SIZE. <input type="checkbox"/> REINFORCING CORRECT. <input type="checkbox"/> DISSIPATOR BLOCK INSTALLED. <input type="checkbox"/> EDGES CHAMFERED. <input type="checkbox"/> ALL PATCHWORK ACCEPTABLE.		DESCRIPTION:	KYTC 12" SLOPED & FLARED HEADWALL W/DISSIPATORS
		CUSTOMER:	STOCK
		PROJECT:	STOCK INVENTORY
		STRUCTURE ID.:	N/A
		QUOTE/SALES ORDER NO.:	N/A
		CHECK:	J.H. ROSS, PE
		DRAWING:	N. RICHARDS
		DATE:	09/06/22
		SCALE:	NTS
		PG. 1 of 1	



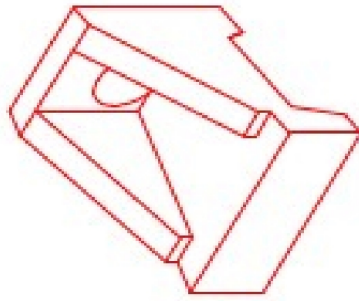


Structure ID: HW BA1

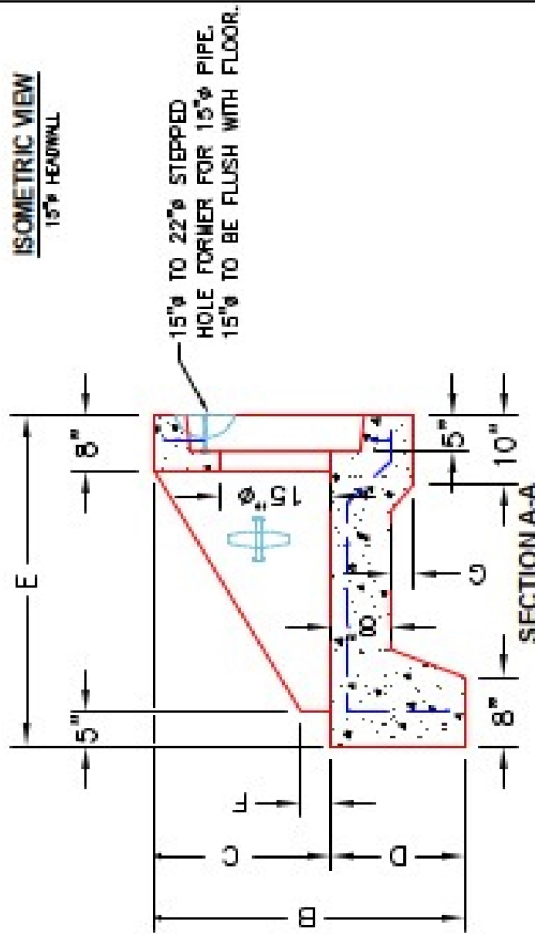
P1 HWSF15

15" - SLOPED & FLARED HEADWALL F/F

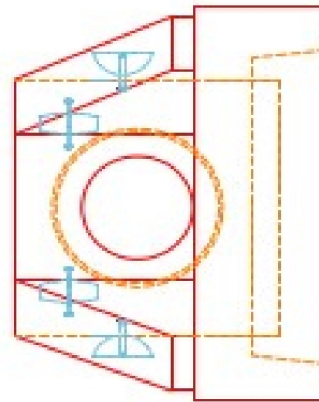
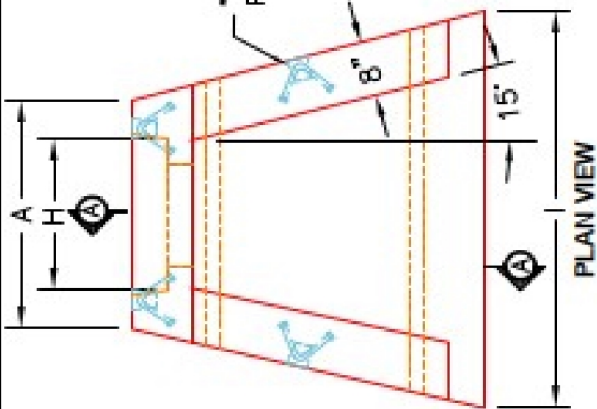
DIMENSIONS										
PPE Ø	A	B	C	D	E	F	G	H	I	WEIGHT
15"	2'-0"	3'-0"	2'-0"	1'-0"	4'-0"	3"	2"	2'-0"	4'-0"	3,181 LBS.



ISOMETRIC VIEW
15" HEADWALL



"A-ANCHOR" LIFTING SYSTEM FOR PLANT & FIELD HANDLING.



NOTES:

1. CONCRETE: 4500 PSI @ 28 DAYS.
2. REINFORCING: #4 BAR @ 12" C/C E.W.-GRADE @D, (WITH 2" CONCRETE COVER MINIMUM)
3. REINFORCING BARS TO BE TACK WELDED OR TIED.
4. DRAWING TO BE USED IN CONJUNCTION WITH KYTC STD. DRAWING R01H-020-03 AND THE STANDARD SPECIFICATIONS FOR ROAD AND BRIDGE CONSTRUCTION.
5. CHAMFER ON ALL EXPOSED EDGES.

PRODUCTION WORK ORDER

QUALITY CONTROL CHECKLIST
<input type="checkbox"/> ALL DIMENSIONS CORRECT.
<input type="checkbox"/> LIFTERS INSTALLED.
<input type="checkbox"/> STEPPED HF CORRECT SIZE.
<input type="checkbox"/> REINFORCING CORRECT.
<input type="checkbox"/> DISSIPATOR BLOCK INSTALLED
<input type="checkbox"/> EDGES CHAMFERED.
<input type="checkbox"/> ALL PATCHWORK ACCEPTABLE.



PRODUCT I.D.: HWSF15	DESCRIPTION: KYTC 15" SLOPED & FLARED HEADWALL
PRODUCT VIEW: RIGHT SIDE UP	CUSTOMER: STOCK
PLANT: BEAVER DAM, KY.	PROJECT: STOCK INVENTORY
WEIGHT: 3,181 LBS.	STRUCTURE D.I.: N/A
TOP SECTION JOINT: N/A	QUOTE/SALES ORDER NO: N/A
BASE SECTION JOINT: N/A	CHECK: J.H. ROSS, PE
QC CHECK INITIALS:	DRAWING: N. RICHARDS
	DATE: 09/15/22
	SCALE: NTS
	PG. 1 of 1

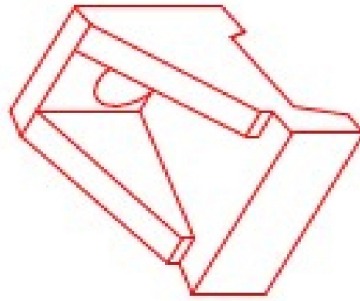


Structure ID: HW BA4

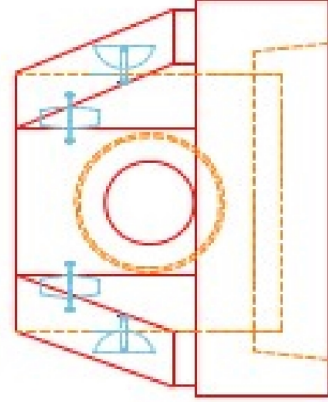
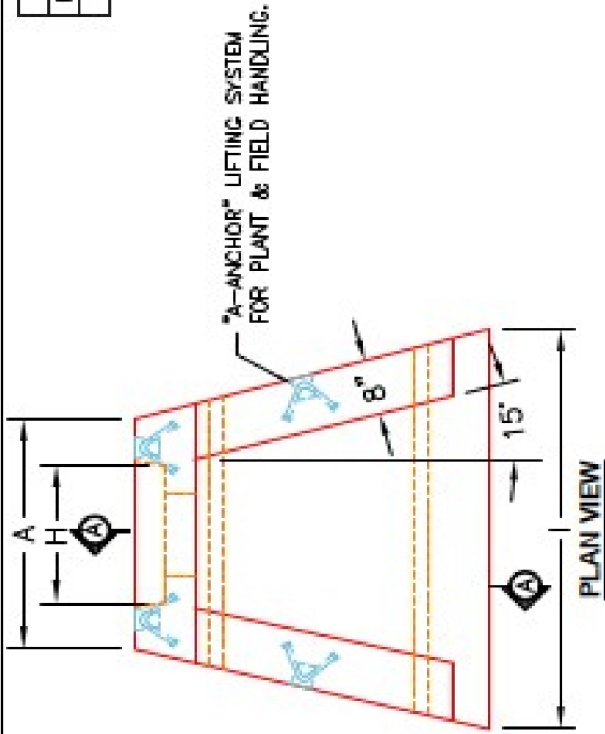
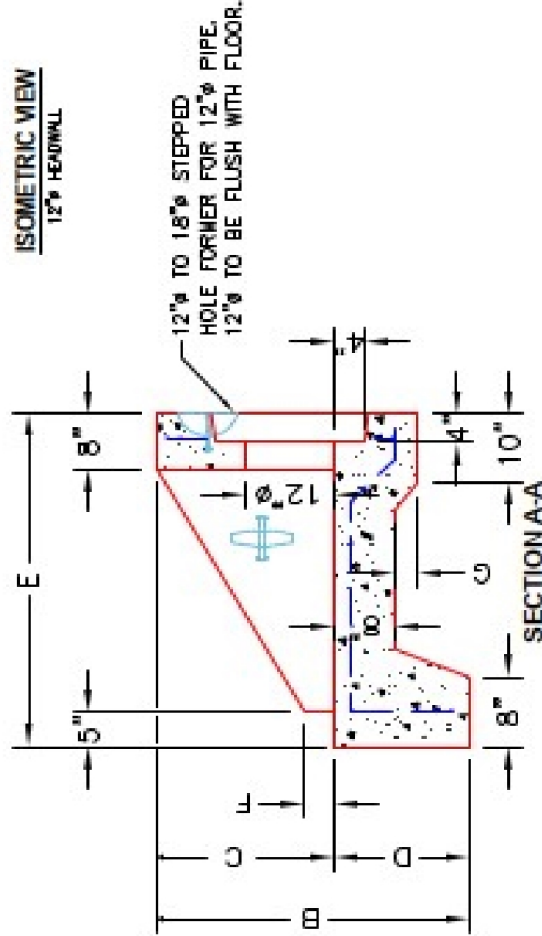
P1 HWSF12

12" - SLOPED & FLARED HEADWALL F/F

DIMENSIONS										
PPE Ø	A	B	C	D	E	F	G	H	I	WEIGHT
12"	2'-0"	3'-6"	2'-0"	1'-0"	4'-0"	3"	2"	1'-0"	4'-0"	3,161 LBS.



ISOMETRIC VIEW
12" HEADWALL



FRONT ELEVATION

- NOTES:**
1. CONCRETE: 4500 PSI @ 28 DAYS.
 2. REINFORCING: #4 BAR @ 12" C/C E/W - GRADE 60, (WITH 3" CONCRETE COVER MINIMUM)
 3. REINFORCING BARS TO BE TACK WELDED OR TIED.
 4. DRAWING TO BE USED IN CONJUNCTION WITH KYTC STD. DRAWING RDH-020-03 AND THE STANDARD SPECIFICATIONS FOR ROAD AND BRIDGE CONSTRUCTION.
 5. **CHAMFER ON ALL EXPOSED EDGES.**

PRODUCTION WORK ORDER	
PRODUCT I.D.: HWSF12	DESCRIPTION: KYTC 12" SLOPED & FLARED HEADWALL
PRODUCT VIEW: RIGHT SIDE UP	CUSTOMER: STOCK
PLANT: BEAVER DAM, KY.	PROJECT: STOCK INVENTORY
WEIGHT: 3,161 LBS.	STRUCTURE D.I.: N/A
TOP SECTION JOINT: N/A	QUOTE/SALES ORDER NO: N/A
BASE SECTION JOINT: N/A	CHECK: J.H. ROSS, PE DRAWING: N. RICHARDS
QC CHECK INITIALS:	DATE: 08/15/22 SCALE: NTS PG. 1 of 1



THIS DRAWING IS THE PROPERTY OF INFRASTRUCTURE PRECAST, INC. ANY USE OR DUPLICATION OF THIS DRAWING WITHOUT PRIOR AUTHORIZATION IS STRICTLY PROHIBITED.

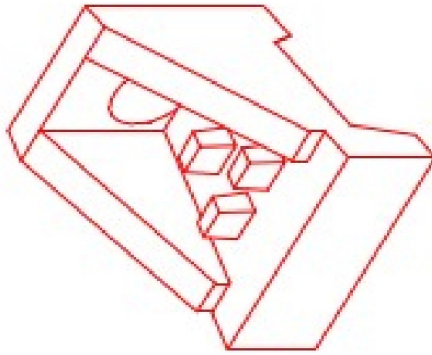


Structure ID: HW BASIN A (495.63)

P1 HWSF24D

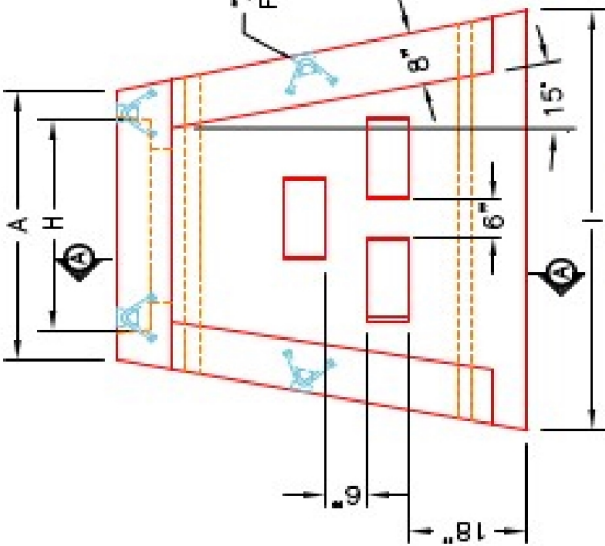
24" - SLOPED & FLARED HEADWALL w/DISS F/F

DIMENSIONS											
PIPE Ø	A	B	C	D	E	F	G	H	I	WEIGHT	DISSIPATORS
24"	3'-0"	4'-4"	2'-10"	1'-6"	5'-0"	4'	3'F	2'-10"	6'-0"	5,127 LBS.	3 EA.



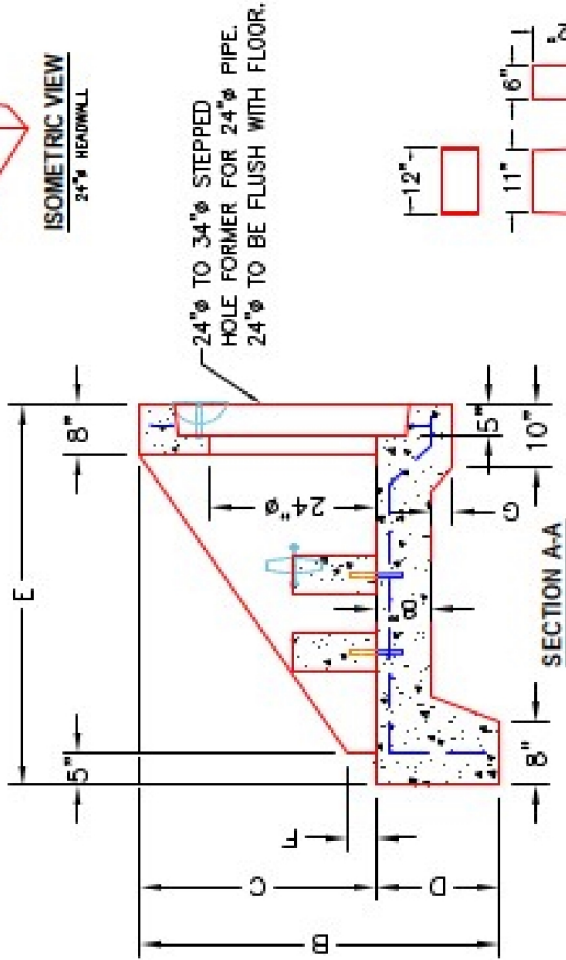
ISOMETRIC VIEW
24" HEADWALL

"A-ANCHOR" LIFTING SYSTEM FOR PLANT & FIELD HANDLING.



PLAN VIEW

12"x12"x6" ENERGY DISSIPATOR BLOCKS (3 EA.)



SECTION A-A

24"Ø TO 34"Ø STEPPED HOLE FORMER FOR 24"Ø PIPE. 24"Ø TO BE FLUSH WITH FLOOR.

2-#5 BAR STUBS FOR POST MOUNTING TO HEADWALL FLOOR.

DISSIPATOR BLOCK DETAIL

FRONT ELEVATION

1. CONCRETE: 4500 PSI @ 28 DAYS.
2. REINFORCING: #4 BAR, @ 12" C/C E.L.E.-GRADE 60, (WITH 2" CONCRETE COVER MINIMUM)
3. REINFORCING BARS TO BE TACK WELDED OR TIED.
4. DRAWING TO BE USED IN CONJUNCTION WITH KYTC STD. DRAWING R01H-030-03 AND THE STANDARD SPECIFICATIONS FOR ROAD AND BRIDGE CONSTRUCTION.
5. CHAMFER ON ALL EXPOSED EDGES.

PRODUCTION WORK ORDER

QUALITY CONTROL CHECKLIST	PRODUCT I.D.: HWSF24D	DESCRIPTION: KYTC 24" SLOPED & FLARED HEADWALL W/DISSIPATORS
<input type="checkbox"/> ALL DIMENSIONS CORRECT.	PRODUCT VIEW: RIGHT SIDE UP	CUSTOMER: STOCK
<input type="checkbox"/> LIFTERS INSTALLED.	PLANT: BEAVER DAM, KY.	PROJECT: STOCK INVENTORY
<input type="checkbox"/> STEPPED HF CORRECT SIZE.	WEIGHT: 5,127 LBS.	STRUCTURE I.D.: N/A
<input type="checkbox"/> REINFORCING CORRECT.	TOP SECTION JOINT: N/A	QUOTE/SALES ORDER NO: N/A
<input type="checkbox"/> DISSIPATOR BLOCK INSTALLED.	BASE SECTION JOINT: N/A	CHECK: J.H. ROSS, PE
<input type="checkbox"/> EDGES CHAMFERED.	QC CHECK INITIALS:	DRAWING: N. RICHARDS
<input type="checkbox"/> ALL PATCHWORK ACCEPTABLE.		DATE: 09/09/22
		SCALE: NTS
		PG. 1 of 1



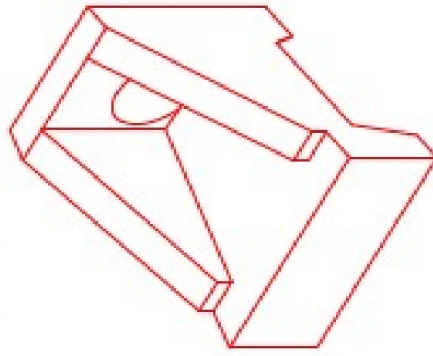


Structure ID: HW BASIN A (496.72)

P1 HWSF24

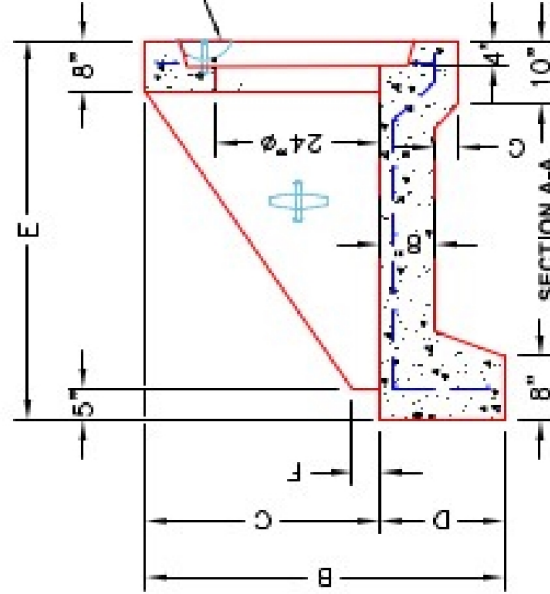
24" - SLOPED & FLARED HEADWALL F/F

DIMENSIONS										
PIPE Ø	A	B	C	D	E	F	G	H	I	WEIGHT
24"	3'-6"	4'-4"	2'-10"	1'-6"	5'-0"	4"	3"	2'-10"	6'-0"	4,956 LBS.



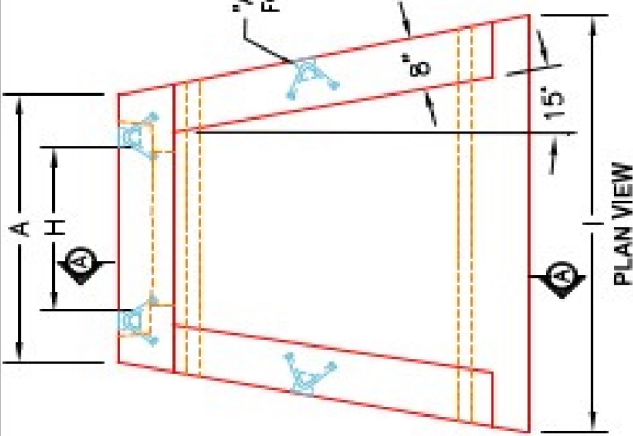
ISOMETRIC VIEW
24" HEADWALL

24" Ø TO 34" Ø STEPPED HOLE FORMER FOR 24" Ø PIPE. 24" Ø TO BE FLUSH WITH FLOOR.

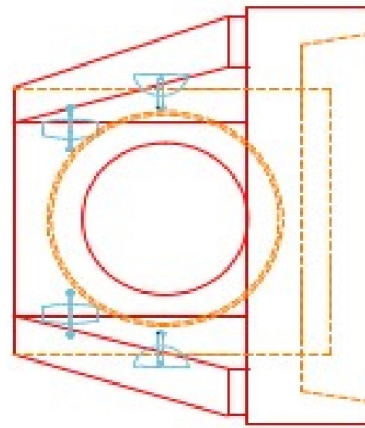


FRONT ELEVATION

"A-ANCHOR" LIFTING SYSTEM FOR PLANT & FIELD HANDLING.



PLAN VIEW



NOTES:

1. CONCRETE: 4500 PSI @ 28 DAYS.
2. REINFORCING: #4 BAR @ 12" C/C E.W. - GRADE 60, (WITH 3" CONCRETE COVER MINIMUM)
3. REINFORCING BARS TO BE TACK WELDED OR TIED.
4. DRAWING TO BE USED IN CONJUNCTION WITH KYTC STD. DRAWING R04-020-03 AND THE STANDARD SPECIFICATIONS FOR ROAD AND BRIDGE CONSTRUCTION.
5. CHAMFER ON ALL EXPOSED EDGES.

PRODUCTION WORK ORDER		PRODUCT I.D.: HWSF24	
QUALITY CONTROL CHECKLIST <input type="checkbox"/> ALL DIMENSIONS CORRECT. <input type="checkbox"/> LIFTERS INSTALLED. <input type="checkbox"/> STEPPED HF CORRECT SIZE. <input type="checkbox"/> REINFORCING CORRECT. <input type="checkbox"/> DISSIPATOR BLOCK INSTALLED. <input type="checkbox"/> EDGES CHAMFERED. <input type="checkbox"/> ALL PATCHWORK ACCEPTABLE.		DESCRIPTION: KYTC 24" Ø SLOPED & FLARED HEADWALL CUSTOMER: STOCK PROJECT: STOCK INVENTORY STRUCTURE ID.: N/A QUOTE/SALES ORDER NO: N/A CHECK: J.H. ROSS, PE DATE: REV. 4/22/24 SCALE: NTS PG. 1 of 1	PLANT: BEAVER DAM, KY. WEIGHT: 4,956 LBS. TOP SECTION JOINT: N/A BASE SECTION JOINT: N/A QC CHECK INITIALS:



Job Name: 25-2666 Residential Subdivision
 Job Location: Hawesville, Ky
 Contractor: Winwater Hartford KY Co.

Plant: 100

12/15/2025 8:25:06 AM

Tech: C.Russ

PC: A.Chambers



Structure ID: SSMH A2

P1 MH048BA30

MH BASE T/n

- P3) 24" - CASTING HEIGHT - 7"
- P2) 48" - MH FLAT TOP w/ 24" ECC Hole F/G - 12"
- P1) 48" - MH BASE T/n - 30"
- 1) CASTING - HOE MC-315 F/C Sanitary
- 1) 48" - DBL 1"x14.5' Butyl (2x)
- 2) PSX - 12-08 NYLO
- 1) PSX - 8QRS-S NYLO
- 2) MH Step ML-10-TDS-NCR - 10"

0 lb
 1561 lb
 3309 lb
 258 lb
 0 lb
 16 lb
 6 lb
 0 lb

 Structure Total: 5151 lb

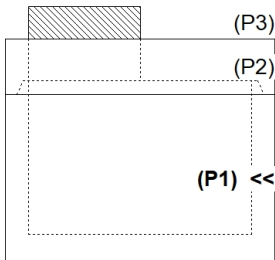
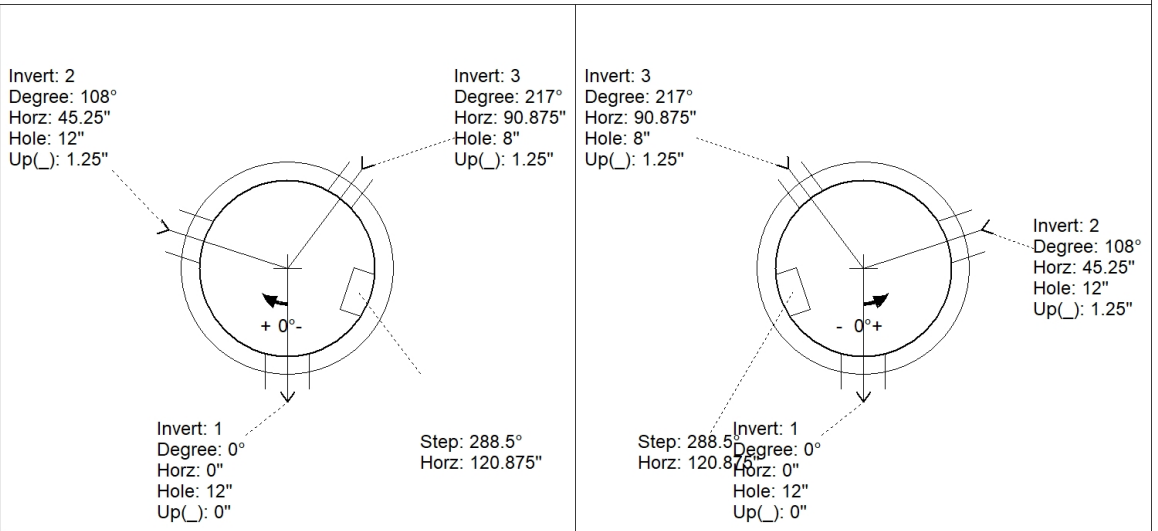
- Structure Notes:**
1. PER ASTM C478 SPECIFICATIONS.
 2. CONCRETE = 4,000 PSI AT 28 DAYS.
 3. REINFORCING PER ASTM A615 (GRADE 60).
 - CONE (As .12)
 - RISER/WALLS (As .12)
 - FLOOR (As .31) #5 BARS AT 12" C.C.E.W.
 4. HOE MC-315 SANITARY CASTING PROVIDED BY ICAST.
 5. VERIFY SERVICE LINE PIPE SIZE. ASSUMED 6" SDR35.

Rim: 523.34' Rim to Invert: 4.09' Slack: 2.08" Sump: 2" Step Position: 288.5°

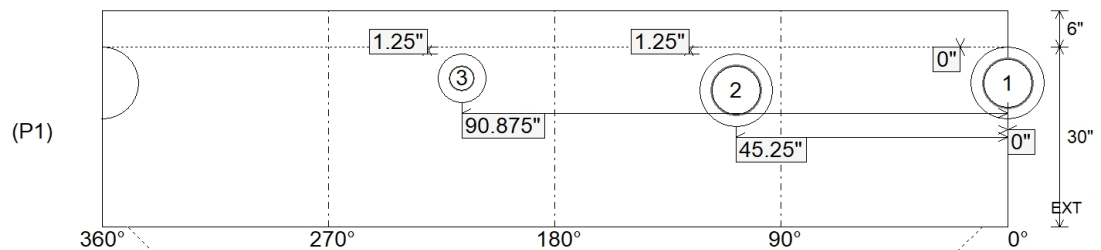
Position	Elev	Angle	Ext. (cw)	Pipe	Pipe OD	Connector	Hole	Horz Size	Up ()	Offset
Invert 1	519.25'	0°	0"	8" PVC SDR35	8.5"	PSX 12-08 NYLO	12"	12.129"	0"	0"
Invert 2	519.35'	108°	54.625"	8" PVC SDR35	8.5"	PSX 12-08 NYLO	12"	12.129"	1.25"	0"
Invert 3	519.35'	217°	109.875"	4" PVC SDR35	4.25"	PSX 8QRS-S NYLO	8"	8.038"	1.25"	0"
Invert 4										
Invert 5										
Invert 6										
Invert 7										
Invert 8										

RIGHT-SIDE UP VIEW (int. dimensions)

UPSIDE-DOWN VIEW (int. dimenions)



INSIDE WALL DIMENSIONS



Coating (Int):
 Coating (Ext):

Seam Up: Tongue
 Seam Dn: n/a

Wall Thickness: 5"
 Floor Height: 6"

Height (Int): 30"
 Height (Ext): 36"

Weight (Net): 3309 lb
 Volume (Net): 0.84cu.yd

Job Name: 25-2666 Residential Subdivision
 Job Location: Hawesville, Ky
 Contractor: Winwater Hartford KY Co.

Plant: 100

12/15/2025 8:25:06 AM

Tech: C.Russ

PC: A.Chambers



Structure ID: SSMH A2

P1A MH048BA30

MH BASE T/n

- P3) 24" - CASTING HEIGHT - 7"
- P2) 48" - MH FLAT TOP w/ 24" ECC Hole F/G - 12"
- P1) 48" - MH BASE T/n - 30"
- 1) CASTING - HOE MC-315 F/C Sanitary
- 1) 48" - DBL 1"x14.5' Butyl (2x)
- 2) PSX - 12-08 NYLO
- 1) PSX - 8QRS-S NYLO
- 2) MH Step ML-10-TDS-NCR - 10"

0 lb
 1561 lb
 3309 lb
 258 lb
 0 lb
 16 lb
 6 lb
 0 lb

 Structure Total: 5151 lb

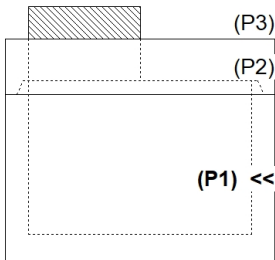
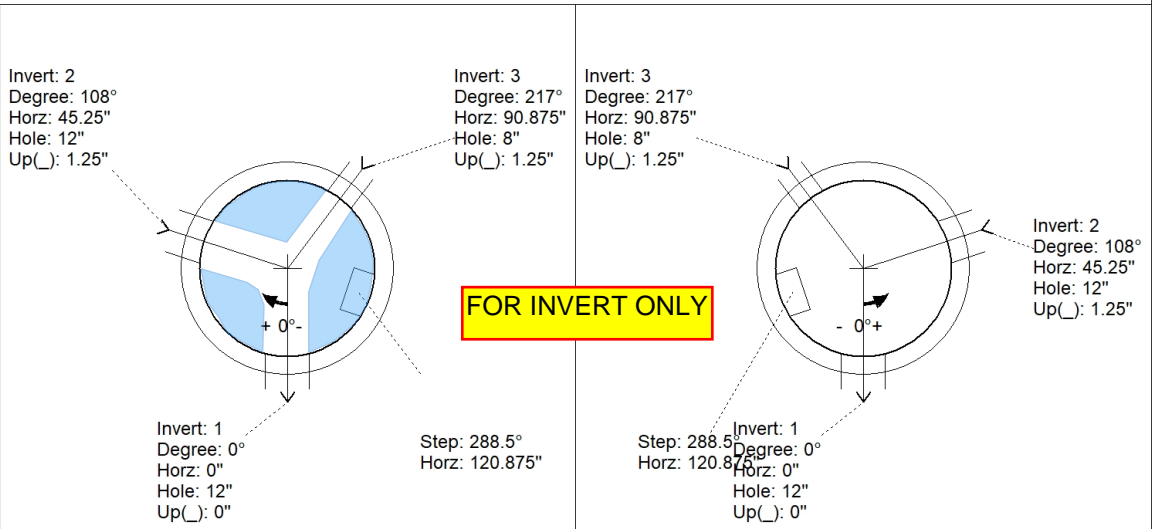
- Structure Notes:**
1. PER ASTM C478 SPECIFICATIONS.
 2. CONCRETE = 4,000 PSI AT 28 DAYS.
 3. REINFORCING PER ASTM A615 (GRADE 60).
 - CONE (As .12)
 - RISER/WALLS (As .12)
 - FLOOR (As .31) #5 BARS AT 12" C.C.E.W.
 4. HOE MC-315 SANITARY CASTING PROVIDED BY ICAST.
 5. VERIFY SERVICE LINE PIPE SIZE. ASSUMED 6" SDR35.

Rim: 523.34' Rim to Invert: 4.09' Slack: 2.08" Sump: 2" Step Position: 288.5°

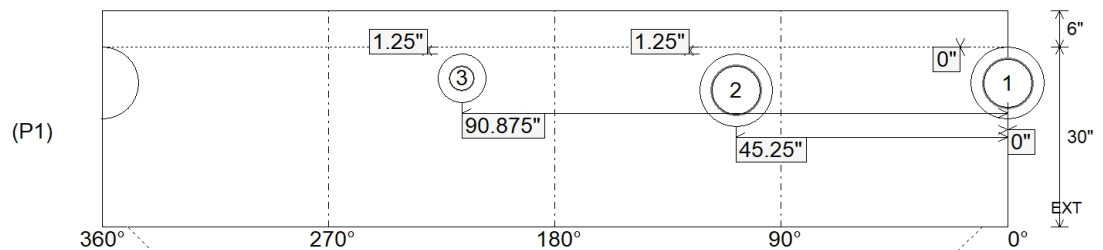
Position	Elev	Angle	Ext. (cw)	Pipe	Pipe OD	Connector	Hole	Horz Size	Up ()	Offset
Invert 1	519.25'	0°	0"	8" PVC SDR35	8.5"	PSX 12-08 NYLO	12"	12.129"	0"	0"
Invert 2	519.35'	108°	54.625"	8" PVC SDR35	8.5"	PSX 12-08 NYLO	12"	12.129"	1.25"	0"
Invert 3	519.35'	217°	109.875"	4" PVC SDR35	4.25"	PSX 8QRS-S NYLO	8"	8.038"	1.25"	0"
Invert 4										
Invert 5										
Invert 6										
Invert 7										
Invert 8										

RIGHT-SIDE UP VIEW (int. dimensions)

UPSIDE-DOWN VIEW (int. dimenions)



INSIDE WALL DIMENSIONS



Coating (Int):
 Coating (Ext):

Seam Up: Tongue
 Seam Dn: n/a

Wall Thickness: 5"
 Floor Height: 6"

Height (Int): 30"
 Height (Ext): 36"

Weight (Net): 3309 lb
 Volume (Net): 0.84cu.yd

Job Name: 25-2666 Residential Subdivision
 Job Location: Hawesville, Ky
 Contractor: Winwater Hartford KY Co.

Plant: 100

12/15/2025 8:26:08 AM

Tech: C.Russ

PC: A.Chambers



Structure ID: SSMH A2

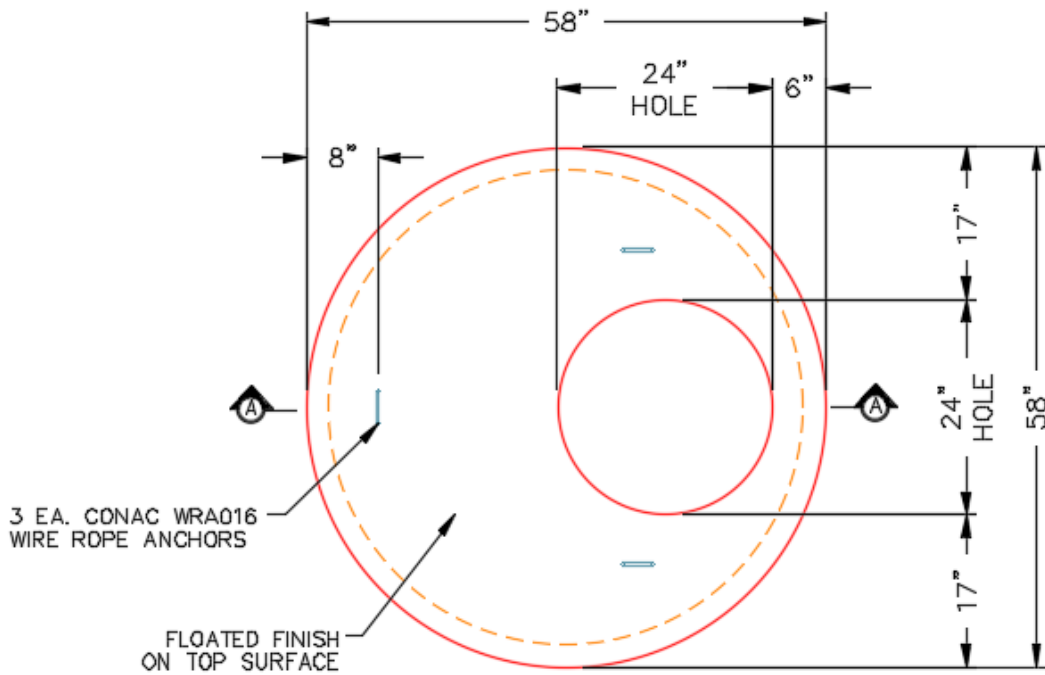
P2 MH048LD12ECC

MH FLAT TOP w/ 24" ECC Hole F/G

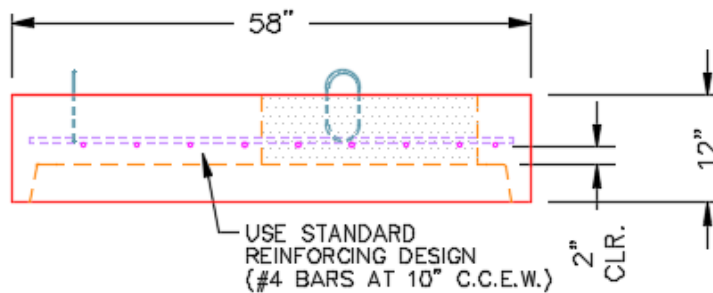
- P3) 24" - CASTING HEIGHT - 7"
- P2) 48" - MH FLAT TOP w/ 24" ECC Hole F/G - 12"
- P1) 48" - MH BASE T/n - 30"
- 1) CASTING - HOE MC-315 F/C Sanitary
- 1) 48" - DBL 1"x14.5' Butyl (2x)
- 2) PSX - 12-08 NYLO
- 1) PSX - 8QRS-S NYLO
- 2) MH Step ML-10-TDS-NCR - 10"

	0 lb
	1561 lb
	3309 lb
	258 lb
	0 lb
	16 lb
	6 lb
	0 lb
Structure Total:	5151 lb

- Structure Notes:**
1. PER ASTM C478 SPECIFICATIONS.
 2. CONCRETE = 4,000 PSI AT 28 DAYS.
 3. REINFORCING PER ASTM A615 (GRADE 60).
 - CONE (As .12)
 - RISER/WALLS (As .12)
 - FLOOR (As .31) #5 BARS AT 12" C.C.E.W.
 4. HOE MC-315 SANITARY CASTING PROVIDED BY ICAST.
 5. VERIFY SERVICE LINE PIPE SIZE. ASSUMED 6" SDR35.



PLAN VIEW



SECTION A-A

Coating (Int):
 Coating (Ext):

Seam Up: Flat
 Seam Dn: Groove

Wall Thickness: 5"

Height (Ext): 12"

Weight (Net): 1561 lb
 Volume (Net): 0.42cu.yd

Job Name: 25-2666 Residential Subdivision
 Job Location: Hawesville, Ky
 Contractor: Winwater Hartford KY Co.

Plant: 100

12/15/2025 8:25:07 AM

Tech: C.Russ

PC: A.Chambers



Structure ID: SSMH A3

P1 MH048BA18

MH BASE T/n

- P4) 24" - CASTING HEIGHT - 7"
- P3) 48" - ECC CONE w/ 24" HOLE F/G - 42"
- P2) 48" - MH RISER T/G - 60"
- P1) 48" - MH BASE T/n - 18"
- 1) CASTING - HOE MC-315 F/C Sanitary
- 2) 48" - DBL 1"x14.5' Butyl (2x)
- 2) PSX - 12-08 NYLO
- 2) PSX - 8QRS-S NYLO
- 10) MH Step ML-10-TDS-NCR - 10"

- 0 lb
- 3200 lb
- 4192 lb
- 2450 lb
- 258 lb
- 0 lb
- 16 lb
- 13 lb
- 0 lb

Structure Total: 10128 lb

Structure Notes:

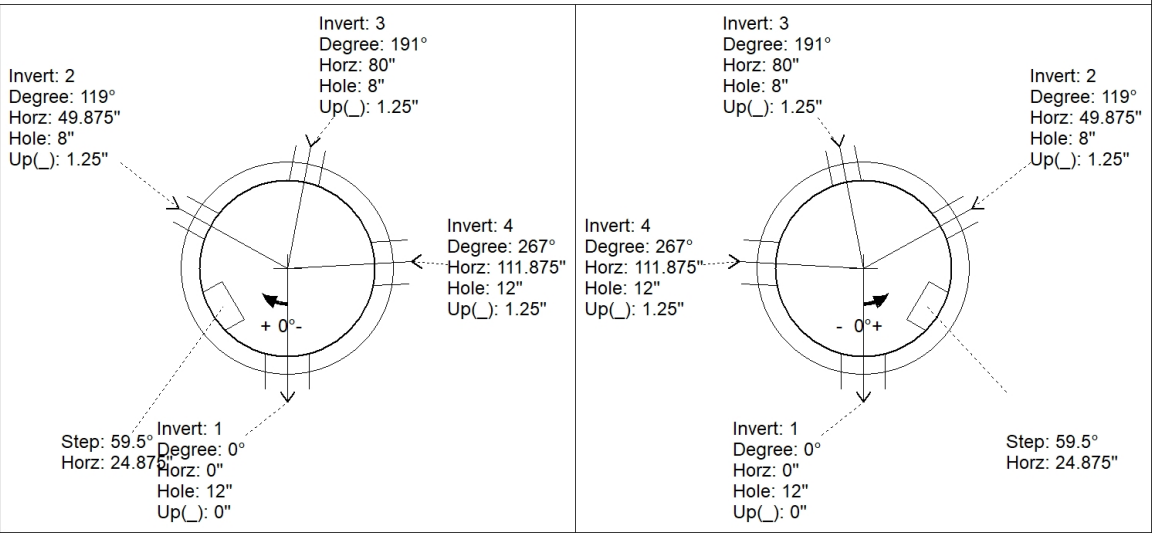
1. PER ASTM C478 SPECIFICATIONS.
2. CONCRETE = 4,000 PSI AT 28 DAYS.
3. REINFORCING PER ASTM A615 (GRADE 60).
 - CONE (As .12)
 - RISER/WALLS (As .12)
 - FLOOR (As .31) #5 BARS AT 12" C.C.E.W.
4. HOE MC-315 SANITARY CASTING PROVIDED BY ICAST.
5. VERIFY SERVICE LINE PIPE SIZES. ASSUMED 6" SDR35.

Rim: 530.65' Rim to Invert: 10.59' Slack: 2.08" Sump: 2" Step Position: 59.5°

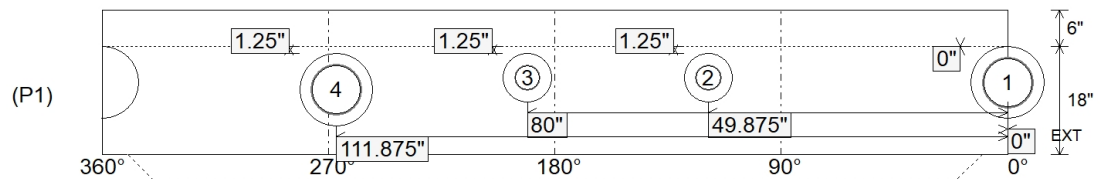
Position	Elev	Angle	Ext. (cw)	Pipe	Pipe OD	Connector	Hole	Horz Size	Up ()	Offset
Invert 1	520.06'	0°	0"	8" PVC SDR35	8.5"	PSX 12-08 NYLO	12"	12.129"	0"	0"
Invert 2	520.16'	119°	60.25"	4" PVC SDR35	4.25"	PSX 8QRS-S NYLO	8"	8.038"	1.25"	0"
Invert 3	520.16'	191°	96.625"	4" PVC SDR35	4.25"	PSX 8QRS-S NYLO	8"	8.038"	1.25"	0"
Invert 4	520.16'	267°	135.125"	8" PVC SDR35	8.5"	PSX 12-08 NYLO	12"	12.129"	1.25"	0"
Invert 5										
Invert 6										
Invert 7										
Invert 8										

RIGHT-SIDE UP VIEW (int. dimensions)

UPSIDE-DOWN VIEW (int. dimensions)



INSIDE WALL DIMENSIONS



Coating (Int):
 Coating (Ext):

Seam Up: Tongue
 Seam Dn: n/a

Wall Thickness: 5"
 Floor Height: 6"

Height (Int): 18"
 Height (Ext): 24"

Weight (Net): 2450 lb
 Volume (Net): 0.63cu.yd

Job Name: 25-2666 Residential Subdivision
 Job Location: Hawesville, Ky
 Contractor: Winwater Hartford KY Co.

Plant: 100

12/15/2025 8:25:07 AM

Tech: C.Russ

PC: A.Chambers



Structure ID: SSMH A3

P1A MH048BA18

MH BASE T/n

- P4) 24" - CASTING HEIGHT - 7"
- P3) 48" - ECC CONE w/ 24" HOLE F/G - 42"
- P2) 48" - MH RISER T/G - 60"
- P1) 48" - MH BASE T/n - 18"
- 1) CASTING - HOE MC-315 F/C Sanitary
- 2) 48" - DBL 1"x14.5' Butyl (2x)
- 2) PSX - 12-08 NYLO
- 2) PSX - 8QRS-S NYLO
- 10) MH Step ML-10-TDS-NCR - 10"

0 lb
 3200 lb
 4192 lb
 2450 lb
 258 lb
 0 lb
 16 lb
 13 lb
 0 lb

 Structure Total: 10128 lb

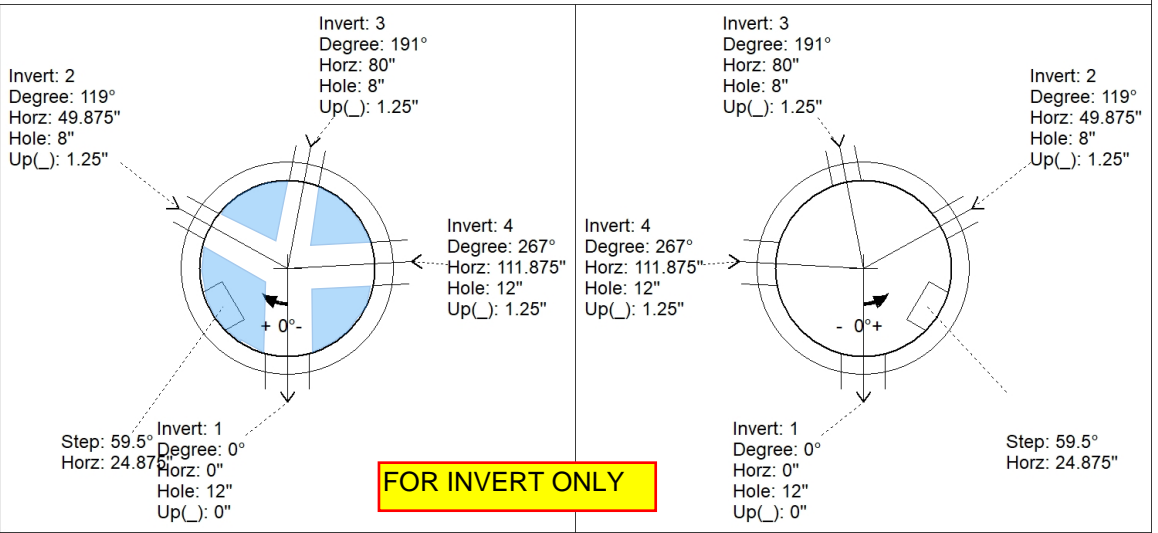
Structure Notes:
 1. PER ASTM C478 SPECIFICATIONS.
 2. CONCRETE = 4,000 PSI AT 28 DAYS.
 3. REINFORCING PER ASTM A615 (GRADE 60).
 - CONE (As .12)
 - RISER/WALLS (As .12)
 - FLOOR (As .31) #5 BARS AT 12" C.C.E.W.
 4. HOE MC-315 SANITARY CASTING PROVIDED BY ICAST.
 5. VERIFY SERVICE LINE PIPE SIZES. ASSUMED 6" SDR35.

Rim: 530.65' Rim to Invert: 10.59' Slack: 2.08" Sump: 2" Step Position: 59.5°

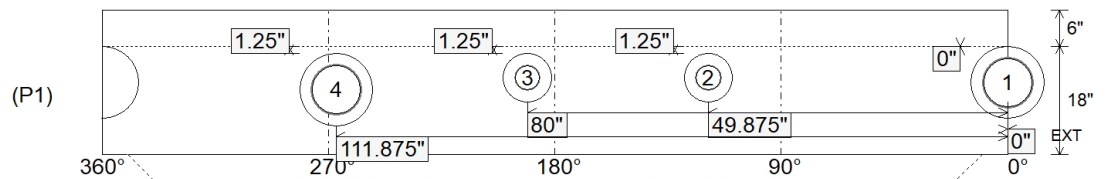
Position	Elev	Angle	Ext. (cw)	Pipe	Pipe OD	Connector	Hole	Horz Size	Up ()	Offset
Invert 1	520.06'	0°	0"	8" PVC SDR35	8.5"	PSX 12-08 NYLO	12"	12.129"	0"	0"
Invert 2	520.16'	119°	60.25"	4" PVC SDR35	4.25"	PSX 8QRS-S NYLO	8"	8.038"	1.25"	0"
Invert 3	520.16'	191°	96.625"	4" PVC SDR35	4.25"	PSX 8QRS-S NYLO	8"	8.038"	1.25"	0"
Invert 4	520.16'	267°	135.125"	8" PVC SDR35	8.5"	PSX 12-08 NYLO	12"	12.129"	1.25"	0"
Invert 5										
Invert 6										
Invert 7										
Invert 8										

RIGHT-SIDE UP VIEW (int. dimensions)

UPSIDE-DOWN VIEW (int. dimenions)



INSIDE WALL DIMENSIONS



Coating (Int):
 Coating (Ext):

Seam Up: Tongue
 Seam Dn: n/a

Wall Thickness: 5"
 Floor Height: 6"

Height (Int): 18"
 Height (Ext): 24"

Weight (Net): 2450 lb
 Volume (Net): 0.63cu.yd

Job Name: 25-2666 Residential Subdivision
 Job Location: Hawesville, Ky
 Contractor: Winwater Hartford KY Co.

Plant: 100

12/15/2025 8:25:39 AM

Tech: C.Russ

PC: A.Chambers



Structure ID: SSMH A3

P2 MH048RS60

MH RISER T/G

- P4) 24" - CASTING HEIGHT - 7"
- P3) 48" - ECC CONE w/ 24" HOLE F/G - 42"
- P2) 48" - MH RISER T/G - 60"
- P1) 48" - MH BASE T/n - 18"
- 1) CASTING - HOE MC-315 F/C Sanitary
- 2) 48" - DBL 1"x14.5' Butyl (2x)
- 2) PSX - 12-08 NYLO
- 2) PSX - 8QRS-S NYLO
- 10) MH Step ML-10-TDS-NCR - 10"

- 0 lb
- 3200 lb
- 4192 lb
- 2450 lb
- 258 lb
- 0 lb
- 16 lb
- 13 lb
- 0 lb

Structure Total: 10128 lb

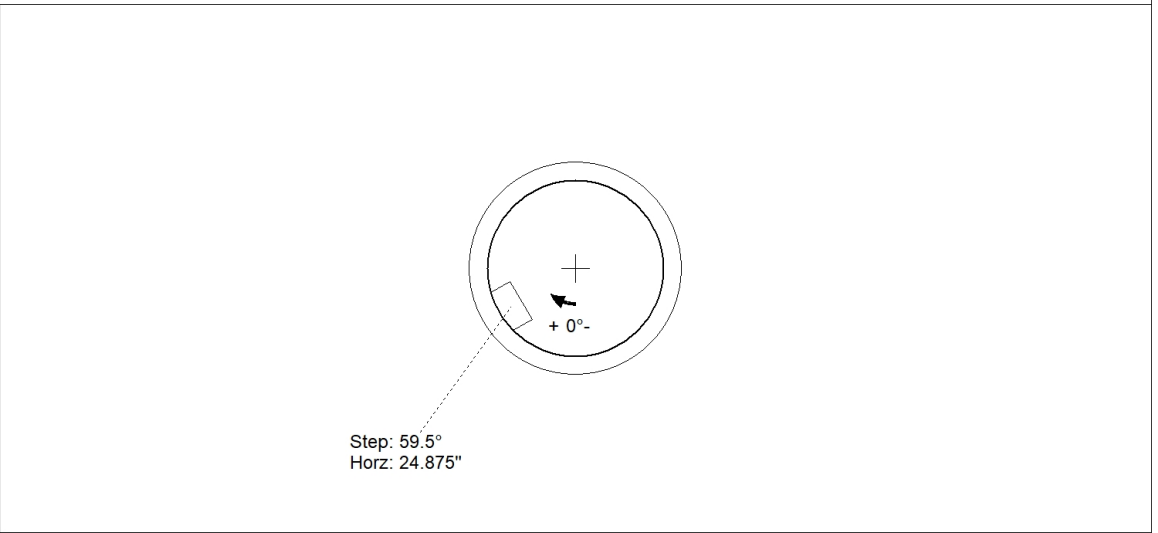
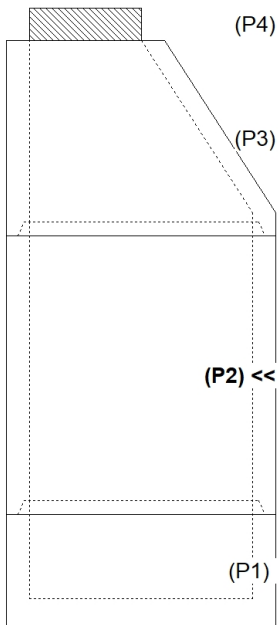
Structure Notes:

1. PER ASTM C478 SPECIFICATIONS.
2. CONCRETE = 4,000 PSI AT 28 DAYS.
3. REINFORCING PER ASTM A615 (GRADE 60).
 - CONE (As .12)
 - RISER/WALLS (As .12)
 - FLOOR (As .31) #5 BARS AT 12" C.C.E.W.
4. HOE MC-315 SANITARY CASTING PROVIDED BY ICAST.
5. VERIFY SERVICE LINE PIPE SIZES. ASSUMED 6" SDR35.

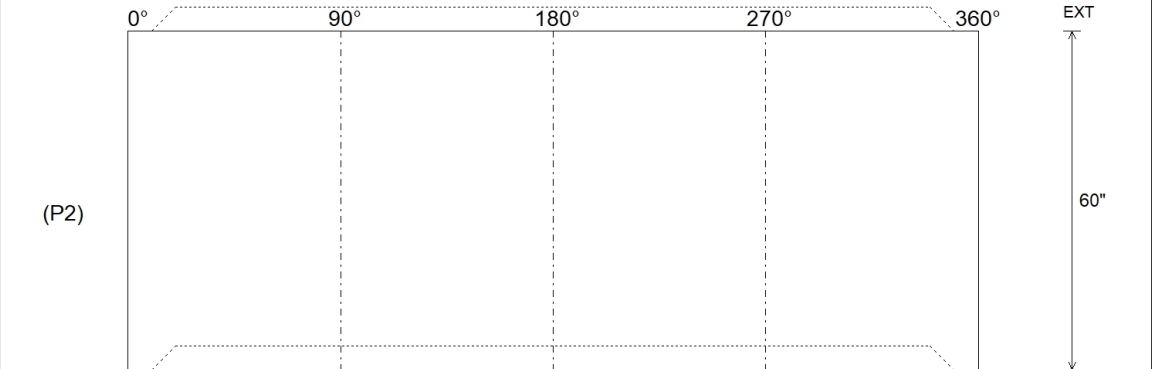
Rim: 530.65' Rim to Invert: 10.59' Slack: 2.08" Sump: 2" Step Position: 59.5°

Position	Elev	Angle	Ext. (cw)	Pipe	Pipe OD	Connector	Hole	Horz Size	Up (L)	Offset
Invert 1										
Invert 2										
Invert 3										
Invert 4										
Invert 5										
Invert 6										
Invert 7										
Invert 8										

RIGHT-SIDE UP VIEW (int. dimensions)



INSIDE WALL DIMENSIONS



Coating (Int):
 Coating (Ext):

Seam Up: Tongue
 Seam Dn: Groove

Wall Thickness: 5"
 Floor Height: 0"

Height (Int): 60"
 Height (Ext): 60"

Weight (Net): 4192 lb
 Volume (Net): 1.07cu.yd

Job Name: 25-2666 Residential Subdivision
 Job Location: Hawesville, Ky
 Contractor: Winwater Hartford KY Co.

Plant: 100
 12/15/2025 8:26:09 AM

Tech: C.Russ
 PC: A.Chambers



Structure ID: SSMH A3

P3 MH048CN42

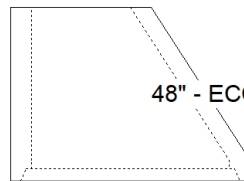
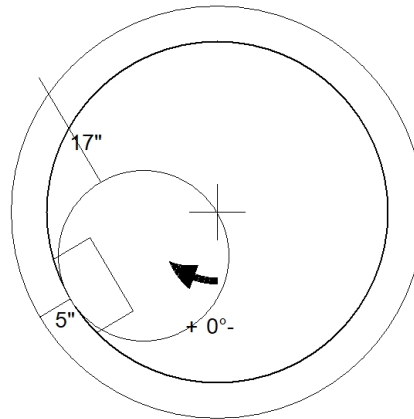
ECC CONE w/ 24" HOLE F/G

- P4) 24" - CASTING HEIGHT - 7"
- P3) 48" - ECC CONE w/ 24" HOLE F/G - 42"
- P2) 48" - MH RISER T/G - 60"
- P1) 48" - MH BASE T/n - 18"
- 1) CASTING - HOE MC-315 F/C Sanitary
- 2) 48" - DBL 1"x14.5' Butyl (2x)
- 2) PSX - 12-08 NYLO
- 2) PSX - 8QRS-S NYLO
- 10) MH Step ML-10-TDS-NCR - 10"

0 lb
 3200 lb
 4192 lb
 2450 lb
 258 lb
 0 lb
 16 lb
 13 lb
 0 lb

 Structure Total: 10128 lb

- Structure Notes:
1. PER ASTM C478 SPECIFICATIONS.
 2. CONCRETE = 4,000 PSI AT 28 DAYS.
 3. REINFORCING PER ASTM A615 (GRADE 60).
 - CONE (As .12)
 - RISER/WALLS (As .12)
 - FLOOR (As .31) #5 BARS AT 12" C.C.E.W.
 4. HOE MC-315 SANITARY CASTING PROVIDED BY ICAST.
 5. VERIFY SERVICE LINE PIPE SIZES. ASSUMED 6" SDR35.



48" - ECC CONE w/ 24" HOLE F/G - 42" - (P3)

Coating (Int): Coating (Ext):	Seam Up: Flat Seam Dn: Groove	Wall Thickness: 5"	Height (Ext): 42"	Weight (Net): 3200 lb Volume (Net): 0.5cu.yd
----------------------------------	----------------------------------	--------------------	-------------------	---

Job Name: 25-2666 Residential Subdivision
 Job Location: Hawesville, Ky
 Contractor: Winwater Hartford KY Co.

Plant: 100

12/15/2025 8:25:07 AM

Tech: C.Russ

PC: A.Chambers



Structure ID: SSMH A4

P1 MH048BA18

MH BASE T/n

- P3) 24" - CASTING HEIGHT - 7"
- P2) 48" - MH FLAT TOP w/ 24" ECC Hole F/G - 12"
- P1) 48" - MH BASE T/n - 18"
- 1) CASTING - HOE MC-315 F/C Sanitary
- 1) 48" - DBL 1"x14.5' Butyl (2x)
- 1) PSX - 12-08 NYLO
- 5) PSX - 8QRS-S NYLO
- 1) MH Step ML-10-TDS-NCR - 10"

0 lb
 1561 lb
 2434 lb
 258 lb
 0 lb
 8 lb
 32 lb
 0 lb

 Structure Total: 4293 lb

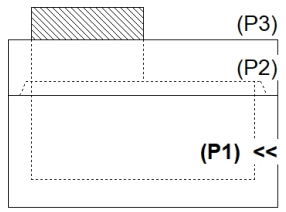
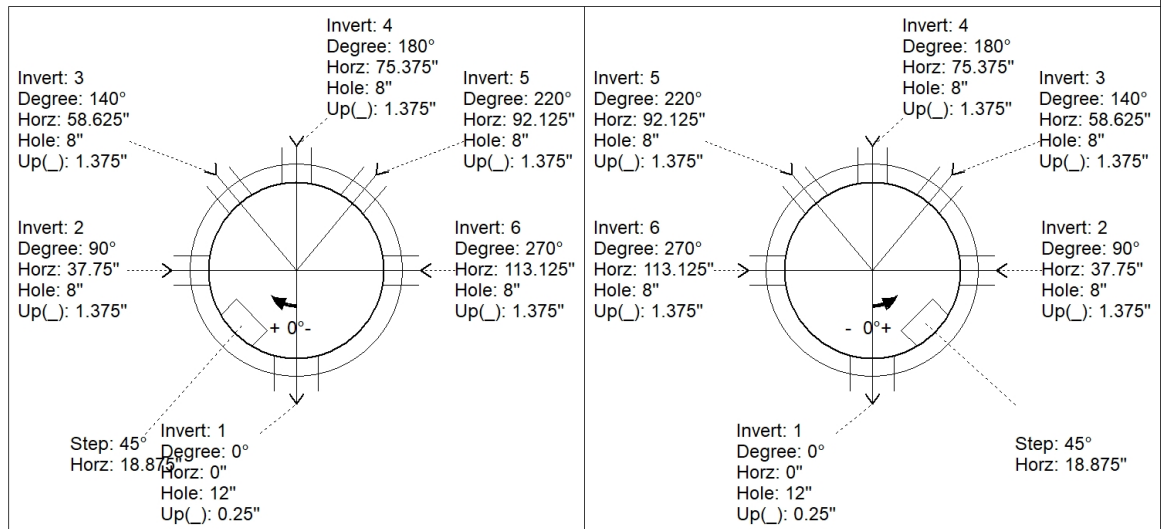
- Structure Notes:**
1. PER ASTM C478 SPECIFICATIONS.
 2. CONCRETE = 4,000 PSI AT 28 DAYS.
 3. REINFORCING PER ASTM A615 (GRADE 60).
 - CONE (As .12)
 - RISER/WALLS (As .12)
 - FLOOR (As .31) #5 BARS AT 12" C.C.E.W.
 4. HOE MC-315 SANITARY PROVIDED BY ICAST.

Rim: 525' Rim to Invert: 2.9' Slack: 0" Sump: 2.2" Step Position: 45°

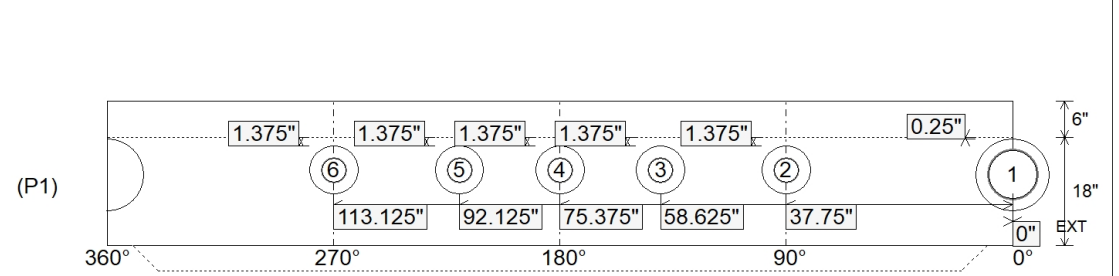
Position	Elev	Angle	Ext. (cw)	Pipe	Pipe OD	Connector	Hole	Horz Size	Up ()	Offset
Invert 1	522.1'	0°	0"	8" PVC SDR35	8.5"	PSX 12-08 NYLO	12"	12.129"	0.25"	0"
Invert 2	522.2'	90°	45.5"	4" PVC SDR35	4.25"	PSX 8QRS-S NYLO	8"	8.038"	1.375"	0"
Invert 3	522.2'	140°	70.875"	4" PVC SDR35	4.25"	PSX 8QRS-S NYLO	8"	8.038"	1.375"	0"
Invert 4	522.2'	180°	91.125"	4" PVC SDR35	4.25"	PSX 8QRS-S NYLO	8"	8.038"	1.375"	0"
Invert 5	522.2'	220°	111.375"	4" PVC SDR35	4.25"	PSX 8QRS-S NYLO	8"	8.038"	1.375"	0"
Invert 6	522.2'	270°	136.625"	4" PVC SDR35	4.25"	PSX 8QRS-S NYLO	8"	8.038"	1.375"	0"
Invert 7										
Invert 8										

RIGHT-SIDE UP VIEW (int. dimensions)

UPSIDE-DOWN VIEW (int. dimensions)



INSIDE WALL DIMENSIONS



Coating (Int): Coating (Ext):	Seam Up: Tongue Seam Dn: n/a	Wall Thickness: 5" Floor Height: 6"	Height (Int): 18" Height (Ext): 24"	Weight (Net): 2434 lb Volume (Net): 0.62cu.yd
----------------------------------	---------------------------------	--	--	--

Job Name: 25-2666 Residential Subdivision
 Job Location: Hawesville, Ky
 Contractor: Winwater Hartford KY Co.

Plant: 100
 12/15/2025 8:25:07 AM

Tech: C.Russ
 PC: A.Chambers



Structure ID: SSMH A4

P1A MH048BA18

MH BASE T/n

- P3) 24" - CASTING HEIGHT - 7"
- P2) 48" - MH FLAT TOP w/ 24" ECC Hole F/G - 12"
- P1) 48" - MH BASE T/n - 18"
- 1) CASTING - HOE MC-315 F/C Sanitary
- 1) 48" - DBL 1"x14.5' Butyl (2x)
- 1) PSX - 12-08 NYLO
- 5) PSX - 8QRS-S NYLO
- 1) MH Step ML-10-TDS-NCR - 10"

0 lb
 1561 lb
 2434 lb
 258 lb
 0 lb
 8 lb
 32 lb
 0 lb
 Structure Total: 4293 lb

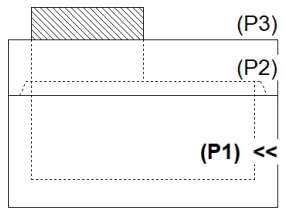
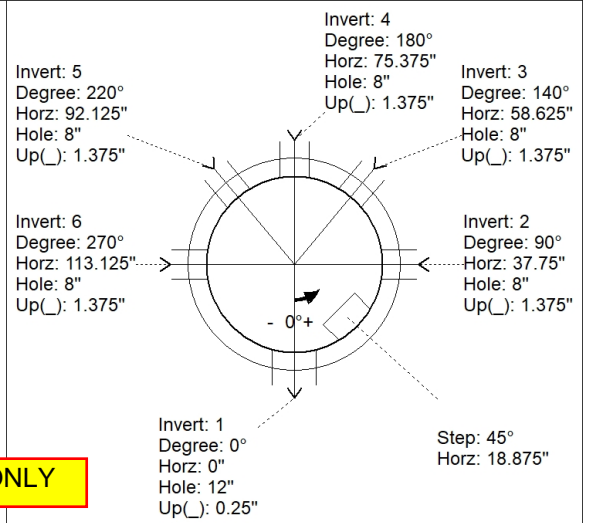
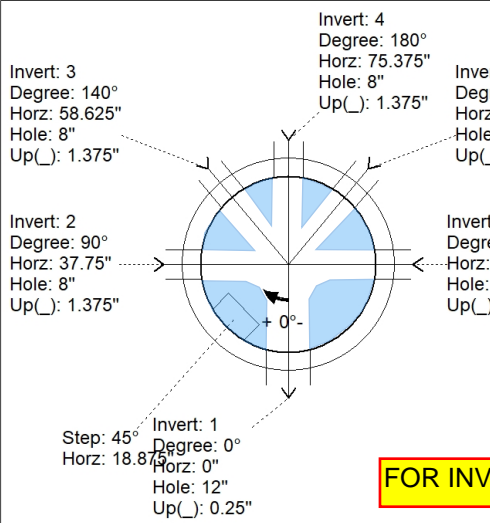
- Structure Notes:**
1. PER ASTM C478 SPECIFICATIONS.
 2. CONCRETE = 4,000 PSI AT 28 DAYS.
 3. REINFORCING PER ASTM A615 (GRADE 60).
 - CONE (As .12)
 - RISER/WALLS (As .12)
 - FLOOR (As .31) #5 BARS AT 12" C.C.E.W.
 4. HOE MC-315 SANITARY PROVIDED BY ICAST.

Rim: 525' Rim to Invert: 2.9' Slack: 0" Sump: 2.2" Step Position: 45°

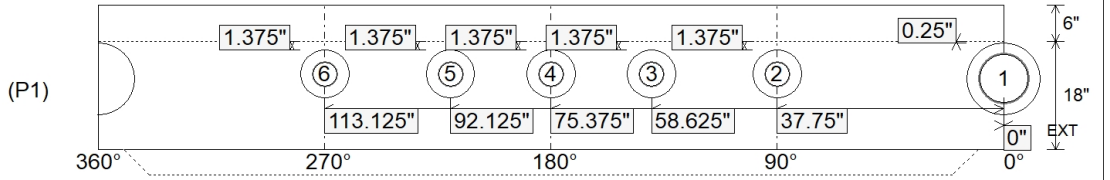
Position	Elev	Angle	Ext. (cw)	Pipe	Pipe OD	Connector	Hole	Horz Size	Up ()	Offset
Invert 1	522.1'	0°	0"	8" PVC SDR35	8.5"	PSX 12-08 NYLO	12"	12.129"	0.25"	0"
Invert 2	522.2'	90°	45.5"	4" PVC SDR35	4.25"	PSX 8QRS-S NYLO	8"	8.038"	1.375"	0"
Invert 3	522.2'	140°	70.875"	4" PVC SDR35	4.25"	PSX 8QRS-S NYLO	8"	8.038"	1.375"	0"
Invert 4	522.2'	180°	91.125"	4" PVC SDR35	4.25"	PSX 8QRS-S NYLO	8"	8.038"	1.375"	0"
Invert 5	522.2'	220°	111.375"	4" PVC SDR35	4.25"	PSX 8QRS-S NYLO	8"	8.038"	1.375"	0"
Invert 6	522.2'	270°	136.625"	4" PVC SDR35	4.25"	PSX 8QRS-S NYLO	8"	8.038"	1.375"	0"
Invert 7										
Invert 8										

RIGHT-SIDE UP VIEW (int. dimensions)

UPSIDE-DOWN VIEW (int. dimensions)



INSIDE WALL DIMENSIONS



Coating (Int): Coating (Ext):	Seam Up: Tongue Seam Dn: n/a	Wall Thickness: 5" Floor Height: 6"	Height (Int): 18" Height (Ext): 24"	Weight (Net): 2434 lb Volume (Net): 0.62cu.yd
----------------------------------	---------------------------------	--	--	--

Job Name: 25-2666 Residential Subdivision
 Job Location: Hawesville, Ky
 Contractor: Winwater Hartford KY Co.

Plant: 100

12/15/2025 8:26:09 AM

Tech: C.Russ

PC: A.Chambers



Structure ID: SSMH A4

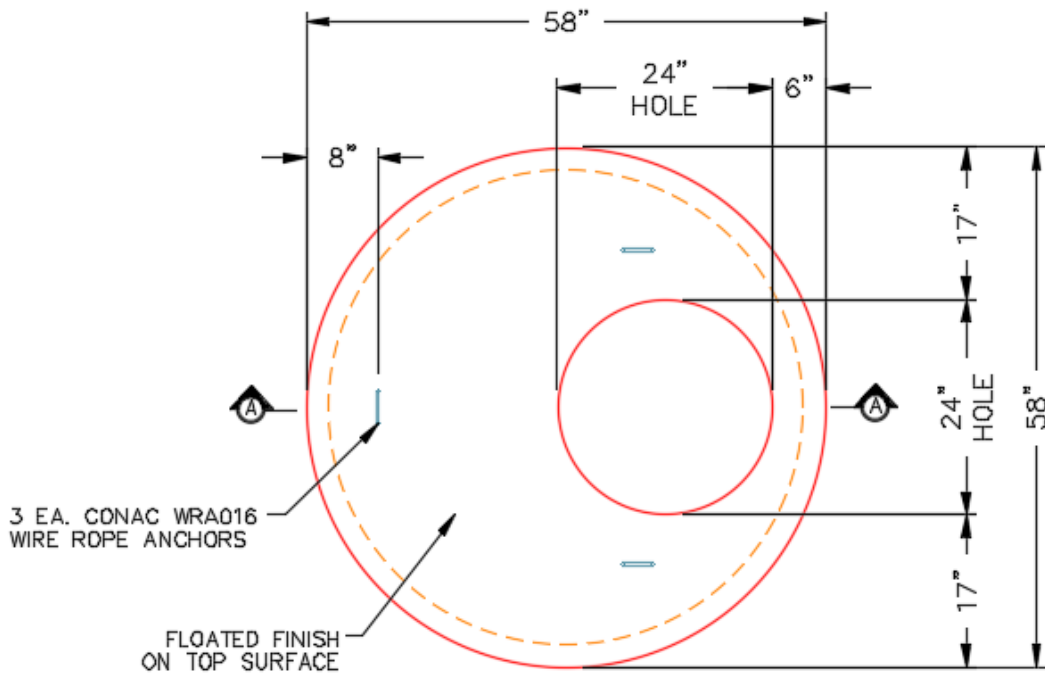
P2 MH048LD12ECC

MH FLAT TOP w/ 24" ECC Hole F/G

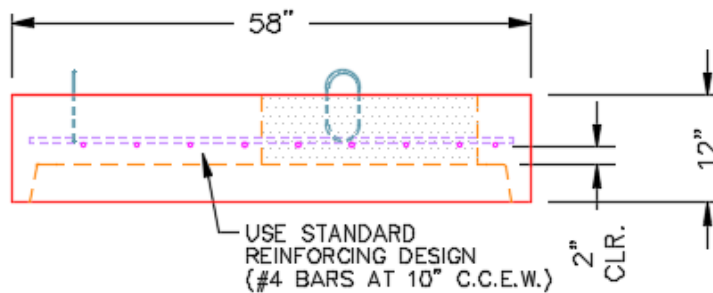
- P3) 24" - CASTING HEIGHT - 7"
- P2) 48" - MH FLAT TOP w/ 24" ECC Hole F/G - 12"
- P1) 48" - MH BASE T/n - 18"
- 1) CASTING - HOE MC-315 F/C Sanitary
- 1) 48" - DBL 1"x14.5' Butyl (2x)
- 1) PSX - 12-08 NYLO
- 5) PSX - 8QRS-S NYLO
- 1) MH Step ML-10-TDS-NCR - 10"

	0 lb
	1561 lb
	2434 lb
	258 lb
	0 lb
	8 lb
	32 lb
	0 lb
Structure Total:	4293 lb

- Structure Notes:**
1. PER ASTM C478 SPECIFICATIONS.
 2. CONCRETE = 4,000 PSI AT 28 DAYS.
 3. REINFORCING PER ASTM A615 (GRADE 60).
 - CONE (As .12)
 - RISER/WALLS (As .12)
 - FLOOR (As .31) #5 BARS AT 12" C.C.E.W.
 4. HOE MC-315 SANITARY PROVIDED BY ICAST.



PLAN VIEW



SECTION A-A

Coating (Int):
 Coating (Ext):

Seam Up: Flat
 Seam Dn: Groove

Wall Thickness: 5"

Height (Ext): 12"

Weight (Net): 1561 lb
 Volume (Net): 0.42cu.yd

Job Name: 25-2666 Residential Subdivision
 Job Location: Hawesville, Ky
 Contractor: Winwater Hartford KY Co.

Plant: 100

12/15/2025 8:25:07 AM

Tech: C.Russ

PC: A.Chambers



Structure ID: SSMH B2

P1 MH048BA18

MH BASE T/n

- P4) 24" - CASTING HEIGHT - 7"
- P3) 24" - GRADE RING F/F - 3"
- P2) 48" - ECC CONE w/ 24" HOLE F/G - 30"
- P1) 48" - MH BASE T/n - 18"
- 1) CASTING - HOE MC-315 F/C Sanitary
- 1) 48" - DBL 1"x14.5' Butyl (2x)
- 2) PSX - 12-08 NYLO
- 1) PSX - 8QRS-S NYLO
- 4) MH Step ML-10-TDS-NCR - 10"

0 lb
 202 lb
 2050 lb
 2471 lb
 258 lb
 0 lb
 16 lb
 6 lb
 0 lb

 Structure Total: 5004 lb

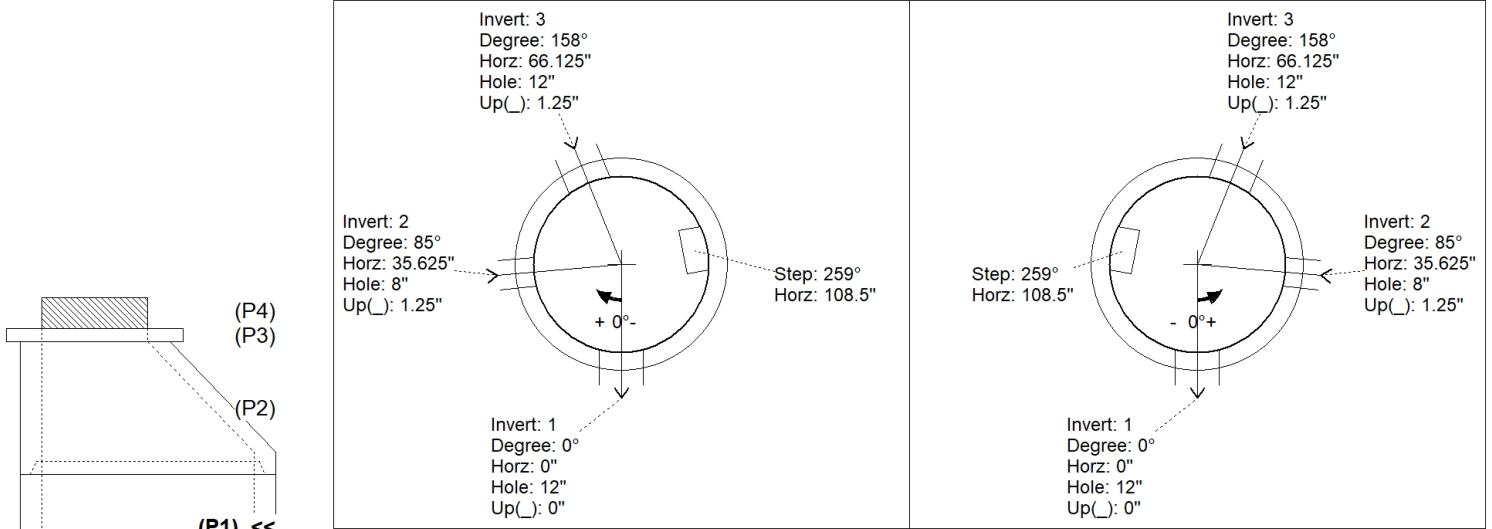
- Structure Notes:**
1. PER ASTM C478 SPECIFICATIONS.
 2. CONCRETE = 4,000 PSI AT 28 DAYS.
 3. REINFORCING PER ASTM A615 (GRADE 60).
 - CONE (As .12)
 - RISER/WALLS (As .12)
 - FLOOR (As .31) #5 BARS AT 12" C.C.E.W.
 4. HOE MC-315 SANITARY PROVIDED BY ICAST.

Rim: 524.17' Rim to Invert: 4.71' Slack: 0.52' Sump: 2' Step Position: 259°

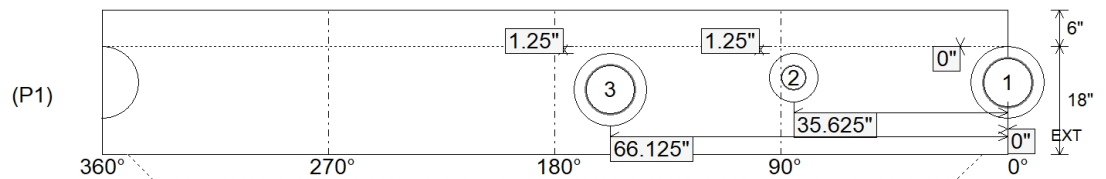
Position	Elev	Angle	Ext. (cw)	Pipe	Pipe OD	Connector	Hole	Horz Size	Up ()	Offset
Invert 1	519.46'	0°	0"	8" PVC SDR35	8.5"	PSX 12-08 NYLO	12"	12.129"	0"	0"
Invert 2	519.56'	85°	43"	4" PVC SDR35	4.25"	PSX 8QRS-S NYLO	8"	8.038"	1.25"	0"
Invert 3	519.56'	158°	80"	8" PVC SDR35	8.5"	PSX 12-08 NYLO	12"	12.129"	1.25"	0"
Invert 4										
Invert 5										
Invert 6										
Invert 7										
Invert 8										

RIGHT-SIDE UP VIEW (int. dimensions)

UPSIDE-DOWN VIEW (int. dimensions)



INSIDE WALL DIMENSIONS



Coating (Int):
 Coating (Ext):

Seam Up: Tongue
 Seam Dn: n/a

Wall Thickness: 5"
 Floor Height: 6"

Height (Int): 18"
 Height (Ext): 24"

Weight (Net): 2471 lb
 Volume (Net): 0.63cu.yd

Job Name: 25-2666 Residential Subdivision
 Job Location: Hawesville, Ky
 Contractor: Winwater Hartford KY Co.

Plant: 100

12/15/2025 8:25:07 AM

Tech: C.Russ

PC: A.Chambers



Structure ID: SSMH B2

P1A MH048BA18

MH BASE T/n

- P4) 24" - CASTING HEIGHT - 7"
- P3) 24" - GRADE RING F/F - 3"
- P2) 48" - ECC CONE w/ 24" HOLE F/G - 30"
- P1) 48" - MH BASE T/n - 18"
- 1) CASTING - HOE MC-315 F/C Sanitary
- 1) 48" - DBL 1"x14.5' Butyl (2x)
- 2) PSX - 12-08 NYLO
- 1) PSX - 8QRS-S NYLO
- 4) MH Step ML-10-TDS-NCR - 10"

0 lb
 202 lb
 2050 lb
 2471 lb
 258 lb
 0 lb
 16 lb
 6 lb
 0 lb

 Structure Total: 5004 lb

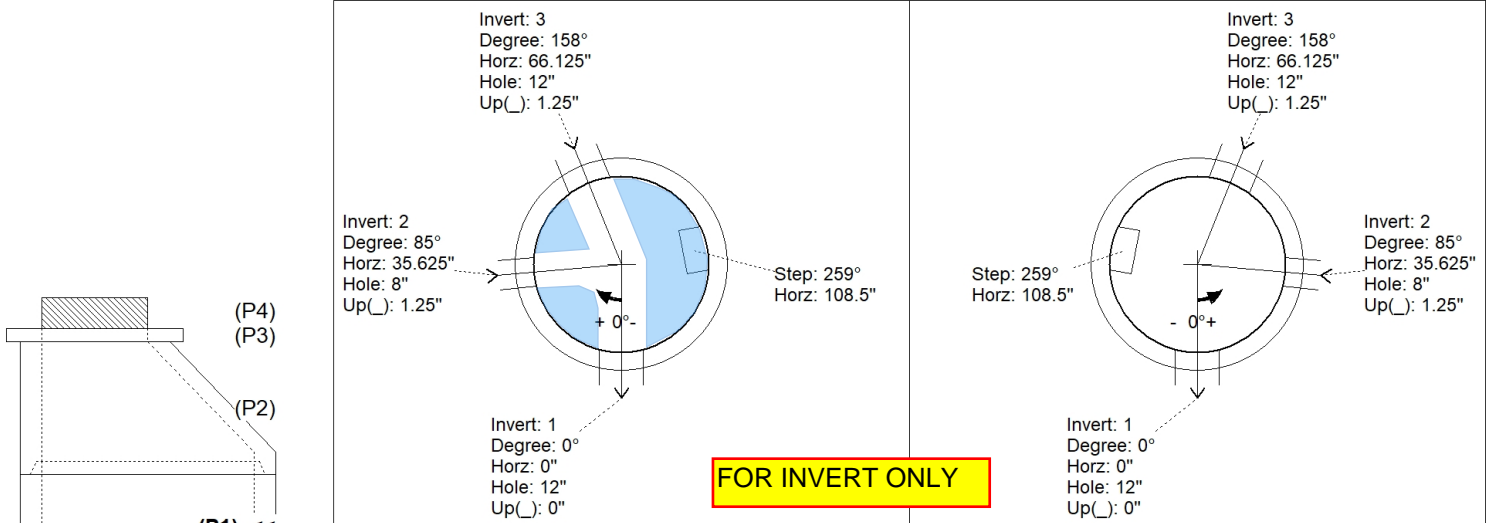
- Structure Notes:**
1. PER ASTM C478 SPECIFICATIONS.
 2. CONCRETE = 4,000 PSI AT 28 DAYS.
 3. REINFORCING PER ASTM A615 (GRADE 60).
 - CONE (As .12)
 - RISER/WALLS (As .12)
 - FLOOR (As .31) #5 BARS AT 12" C.C.E.W.
 4. HOE MC-315 SANITARY PROVIDED BY ICAST.

Rim: 524.17' Rim to Invert: 4.71' Slack: 0.52' Sump: 2' Step Position: 259°

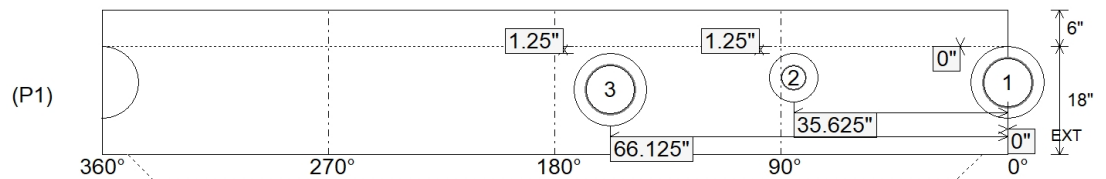
Position	Elev	Angle	Ext. (cw)	Pipe	Pipe OD	Connector	Hole	Horz Size	Up ()	Offset
Invert 1	519.46'	0°	0"	8" PVC SDR35	8.5"	PSX 12-08 NYLO	12"	12.129"	0"	0"
Invert 2	519.56'	85°	43"	4" PVC SDR35	4.25"	PSX 8QRS-S NYLO	8"	8.038"	1.25"	0"
Invert 3	519.56'	158°	80"	8" PVC SDR35	8.5"	PSX 12-08 NYLO	12"	12.129"	1.25"	0"
Invert 4										
Invert 5										
Invert 6										
Invert 7										
Invert 8										

RIGHT-SIDE UP VIEW (int. dimensions)

UPSIDE-DOWN VIEW (int. dimensions)



INSIDE WALL DIMENSIONS



Coating (Int):
 Coating (Ext):

Seam Up: Tongue
 Seam Dn: n/a

Wall Thickness: 5"
 Floor Height: 6"

Height (Int): 18"
 Height (Ext): 24"

Weight (Net): 2471 lb
 Volume (Net): 0.63cu.yd

Job Name: 25-2666 Residential Subdivision
 Job Location: Hawesville, Ky
 Contractor: Winwater Hartford KY Co.

Plant: 100
 12/15/2025 8:26:09 AM

Tech: C.Russ
 PC: A.Chambers



Structure ID: SSMH B2

P2 MH048CN30

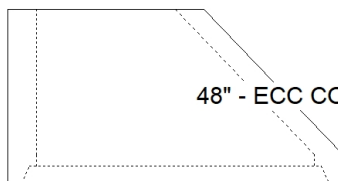
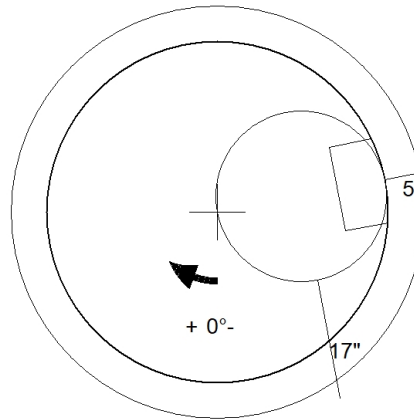
ECC CONE w/ 24" HOLE F/G

- P4) 24" - CASTING HEIGHT - 7"
- P3) 24" - GRADE RING F/F - 3"
- P2) 48" - ECC CONE w/ 24" HOLE F/G - 30"
- P1) 48" - MH BASE T/n - 18"
- 1) CASTING - HOE MC-315 F/C Sanitary
- 1) 48" - DBL 1"x14.5' Butyl (2x)
- 2) PSX - 12-08 NYLO
- 1) PSX - 8QRS-S NYLO
- 4) MH Step ML-10-TDS-NCR - 10"

0 lb
 202 lb
 2050 lb
 2471 lb
 258 lb
 0 lb
 16 lb
 6 lb
 0 lb

 Structure Total: 5004 lb

- Structure Notes:
1. PER ASTM C478 SPECIFICATIONS.
 2. CONCRETE = 4,000 PSI AT 28 DAYS.
 3. REINFORCING PER ASTM A615 (GRADE 60).
 - CONE (As .12)
 - RISER/WALLS (As .12)
 - FLOOR (As .31) #5 BARS AT 12" C.C.E.W.
 4. HOE MC-315 SANITARY PROVIDED BY ICAST.



48" - ECC CONE w/ 24" HOLE F/G - 30" - (P2)

Coating (Int):
 Coating (Ext):

Seam Up: Flat
 Seam Dn: Groove

Wall Thickness: 5"

Height (Ext): 30"

Weight (Net): 2050 lb
 Volume (Net): 0.41cu.yd

Job Name: 25-2666 Residential Subdivision
 Job Location: Hawesville, Ky
 Contractor: Winwater Hartford KY Co.

Plant: 100

12/15/2025 8:26:09 AM

Tech: C.Russ

PC: A.Chambers



Structure ID: SSMH B2

P3 GR3

GRADE RING F/F

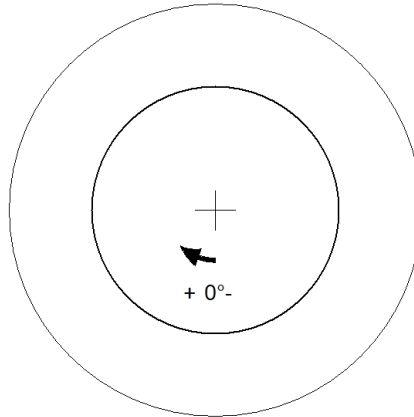
- P4) 24" - CASTING HEIGHT - 7"
- P3) 24" - GRADE RING F/F - 3"
- P2) 48" - ECC CONE w/ 24" HOLE F/G - 30"
- P1) 48" - MH BASE T/n - 18"
- 1) CASTING - HOE MC-315 F/C Sanitary
- 1) 48" - DBL 1"x14.5' Butyl (2x)
- 2) PSX - 12-08 NYLO
- 1) PSX - 8QRS-S NYLO
- 4) MH Step ML-10-TDS-NCR - 10"

0 lb
 202 lb
 2050 lb
 2471 lb
 258 lb
 0 lb
 16 lb
 6 lb
 0 lb

 Structure Total: 5004 lb

Structure Notes:

1. PER ASTM C478 SPECIFICATIONS.
2. CONCRETE = 4,000 PSI AT 28 DAYS.
3. REINFORCING PER ASTM A615 (GRADE 60).
 - CONE (As .12)
 - RISER/WALLS (As .12)
 - FLOOR (As .31) #5 BARS AT 12" C.C.E.W.
4. HOE MC-315 SANITARY PROVIDED BY ICAST.



Coating (Int):
 Coating (Ext):

Seam Up: Flat
 Seam Dn: Flat

Wall Thickness: 8"

Height (Ext): 3"

Weight (Net): 202 lb
 Volume (Net): 0.05cu.yd

Job Name: 25-2666 Residential Subdivision
 Job Location: Hawesville, Ky
 Contractor: Winwater Hartford KY Co.

Plant: 100

12/15/2025 8:25:08 AM

Tech: C.Russ

PC: A.Chambers



Structure ID: SSMH B3

P1 MH048BAVF

MH BASE Custom Ht T/n

- P3) 24" - CASTING HEIGHT - 7"
- P2) 48" - ECC CONE w/ 24" HOLE F/G - 30"
- P1) 48" - MH BASE Custom Ht T/n - 17"
- 1) CASTING - HOE MC-315 F/C Sanitary
- 1) 48" - DBL 1"x14.5' Butyl (2x)
- 1) PSX - 12-08 NYLO
- 2) PSX - 8QRS-S NYLO
- 4) MH Step ML-10-TDS-NCR - 10"

0 lb
 2050 lb
 2428 lb
 258 lb
 0 lb
 8 lb
 13 lb
 0 lb
 Structure Total: 4757 lb

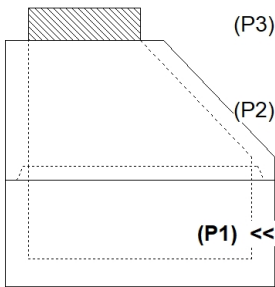
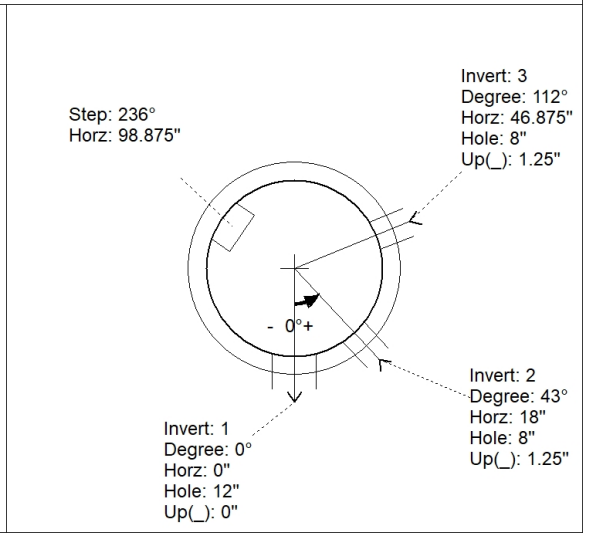
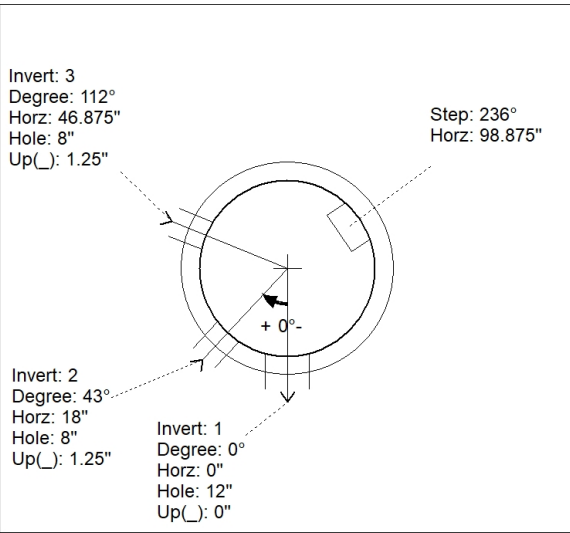
- Structure Notes:**
1. PER ASTM C478 SPECIFICATIONS.
 2. CONCRETE = 4,000 PSI AT 28 DAYS.
 3. REINFORCING PER ASTM A615 (GRADE 60).
 - CONE (As .12)
 - RISER/WALLS (As .12)
 - FLOOR (As .31) #5 BARS AT 12" C.C.E.W.
 4. HOE MC-315 SANITARY PROVIDED BY ICAST.

Rim: 525.02' Rim to Invert: 4.4' Slack: 0.8" Sump: 2" Step Position: 236°

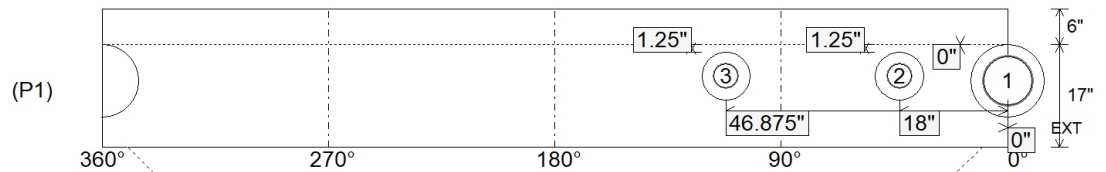
Position	Elev	Angle	Ext. (cw)	Pipe	Pipe OD	Connector	Hole	Horz Size	Up ()	Offset
Invert 1	520.62'	0°	0"	8" PVC SDR35	8.5"	PSX 12-08 NYLO	12"	12.129"	0"	0"
Invert 2	520.72'	43°	21.75"	4" PVC SDR35	4.25"	PSX 8QRS-S NYLO	8"	8.038"	1.25"	0"
Invert 3	520.72'	112°	56.75"	4" PVC SDR35	4.25"	PSX 8QRS-S NYLO	8"	8.038"	1.25"	0"
Invert 4										
Invert 5										
Invert 6										
Invert 7										
Invert 8										

RIGHT-SIDE UP VIEW (int. dimensions)

UPSIDE-DOWN VIEW (int. dimenions)



INSIDE WALL DIMENSIONS



Coating (Int):
 Coating (Ext):

Seam Up: Tongue
 Seam Dn: n/a

Wall Thickness: 5"
 Floor Height: 6"

Height (Int): 17"
 Height (Ext): 23"

Weight (Net): 2428 lb
 Volume (Net): 0.62cu.yd

Job Name: 25-2666 Residential Subdivision
 Job Location: Hawesville, Ky
 Contractor: Winwater Hartford KY Co.

Plant: 100

12/15/2025 8:25:08 AM

Tech: C.Russ

PC: A.Chambers



Structure ID: SSMH B3

P1A MH048BAVF

MH BASE Custom Ht T/n

- P3) 24" - CASTING HEIGHT - 7"
- P2) 48" - ECC CONE w/ 24" HOLE F/G - 30"
- P1) 48" - MH BASE Custom Ht T/n - 17"
- 1) CASTING - HOE MC-315 F/C Sanitary
- 1) 48" - DBL 1"x14.5' Butyl (2x)
- 1) PSX - 12-08 NYLO
- 2) PSX - 8QRS-S NYLO
- 4) MH Step ML-10-TDS-NCR - 10"

0 lb
 2050 lb
 2428 lb
 258 lb
 0 lb
 8 lb
 13 lb
 0 lb
 Structure Total: 4757 lb

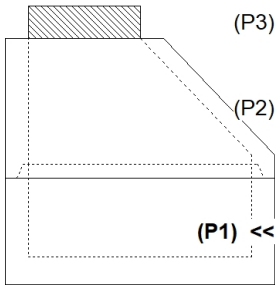
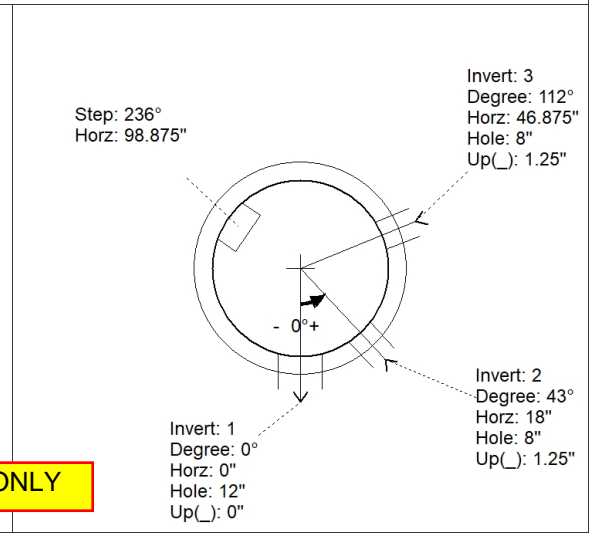
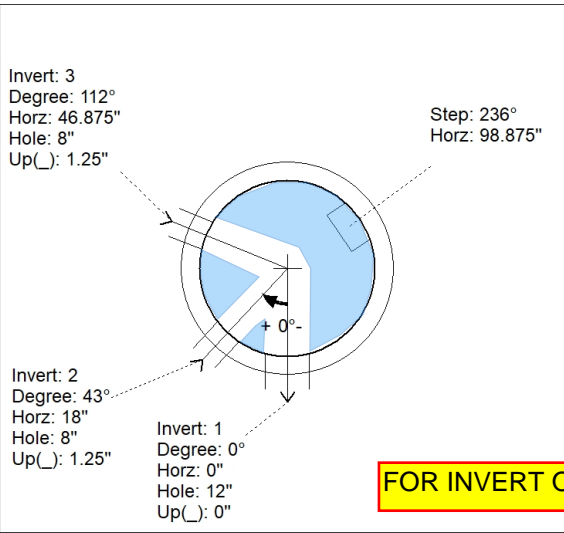
- Structure Notes:**
1. PER ASTM C478 SPECIFICATIONS.
 2. CONCRETE = 4,000 PSI AT 28 DAYS.
 3. REINFORCING PER ASTM A615 (GRADE 60).
 - CONE (As .12)
 - RISER/WALLS (As .12)
 - FLOOR (As .31) #5 BARS AT 12" C.C.E.W.
 4. HOE MC-315 SANITARY PROVIDED BY ICAST.

Rim: 525.02' Rim to Invert: 4.4' Slack: 0.8" Sump: 2" Step Position: 236°

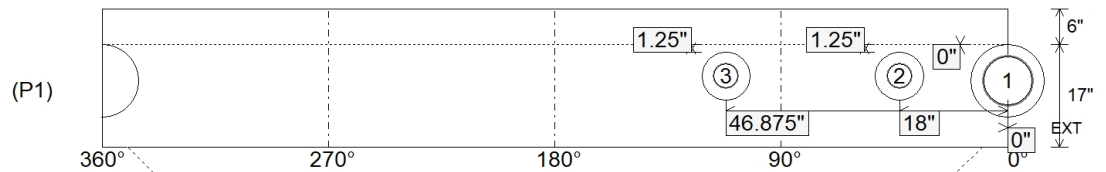
Position	Elev	Angle	Ext. (cw)	Pipe	Pipe OD	Connector	Hole	Horz Size	Up ()	Offset
Invert 1	520.62'	0°	0"	8" PVC SDR35	8.5"	PSX 12-08 NYLO	12"	12.129"	0"	0"
Invert 2	520.72'	43°	21.75"	4" PVC SDR35	4.25"	PSX 8QRS-S NYLO	8"	8.038"	1.25"	0"
Invert 3	520.72'	112°	56.75"	4" PVC SDR35	4.25"	PSX 8QRS-S NYLO	8"	8.038"	1.25"	0"
Invert 4										
Invert 5										
Invert 6										
Invert 7										
Invert 8										

RIGHT-SIDE UP VIEW (int. dimensions)

UPSIDE-DOWN VIEW (int. dimenions)



INSIDE WALL DIMENSIONS



Coating (Int):
 Coating (Ext):

Seam Up: Tongue
 Seam Dn: n/a

Wall Thickness: 5"
 Floor Height: 6"

Height (Int): 17"
 Height (Ext): 23"

Weight (Net): 2428 lb
 Volume (Net): 0.62cu.yd

Job Name: 25-2666 Residential Subdivision
 Job Location: Hawesville, Ky
 Contractor: Winwater Hartford KY Co.

Plant: 100

12/15/2025 8:26:10 AM

Tech: C.Russ

PC: A.Chambers



Structure ID: SSMH B3

P2 MH048CN30

ECC CONE w/ 24" HOLE F/G

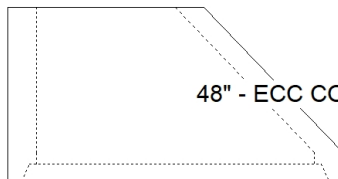
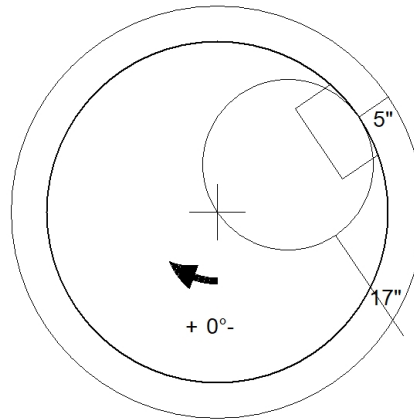
- P3) 24" - CASTING HEIGHT - 7"
- P2) 48" - ECC CONE w/ 24" HOLE F/G - 30"
- P1) 48" - MH BASE Custom Ht T/n - 17"
- 1) CASTING - HOE MC-315 F/C Sanitary
- 1) 48" - DBL 1"x14.5' Butyl (2x)
- 1) PSX - 12-08 NYLO
- 2) PSX - 8QRS-S NYLO
- 4) MH Step ML-10-TDS-NCR - 10"

0 lb
 2050 lb
 2428 lb
 258 lb
 0 lb
 8 lb
 13 lb
 0 lb

Structure Total: 4757 lb

Structure Notes:

1. PER ASTM C478 SPECIFICATIONS.
2. CONCRETE = 4,000 PSI AT 28 DAYS.
3. REINFORCING PER ASTM A615 (GRADE 60).
 - CONE (As .12)
 - RISER/WALLS (As .12)
 - FLOOR (As .31) #5 BARS AT 12" C.C.E.W.
4. HOE MC-315 SANITARY PROVIDED BY ICAST.



48" - ECC CONE w/ 24" HOLE F/G - 30" - (P2)

Coating (Int):
 Coating (Ext):

Seam Up: Flat
 Seam Dn: Groove

Wall Thickness: 5"

Height (Ext): 30"

Weight (Net): 2050 lb
 Volume (Net): 0.41cu.yd

Job Name: 25-2666 Residential Subdivision
 Job Location: Hawesville, Ky
 Contractor: Winwater Hartford KY Co.

Plant: 100

12/15/2025 8:25:08 AM

Tech: C.Russ

PC: A.Chambers



Structure ID: SSMH C2

P1 MH048BA18

MH BASE T/n

- P4) 24" - CASTING HEIGHT - 7"
- P3) 48" - ECC CONE w/ 24" HOLE F/G - 42"
- P2) 48" - MH RISER T/G - 30"
- P1) 48" - MH BASE T/n - 18"
- 1) CASTING - HOE MC-315 F/C Sanitary
- 2) 48" - DBL 1"x14.5' Butyl (2x)
- 1) PSX - 12-08 NYLO
- 4) PSX - 8QRS-S NYLO
- 8) MH Step ML-10-TDS-NCR - 10"

0 lb
 3200 lb
 2096 lb
 2455 lb
 258 lb
 0 lb
 8 lb
 26 lb
 0 lb

 Structure Total: 8043 lb

Structure Notes:

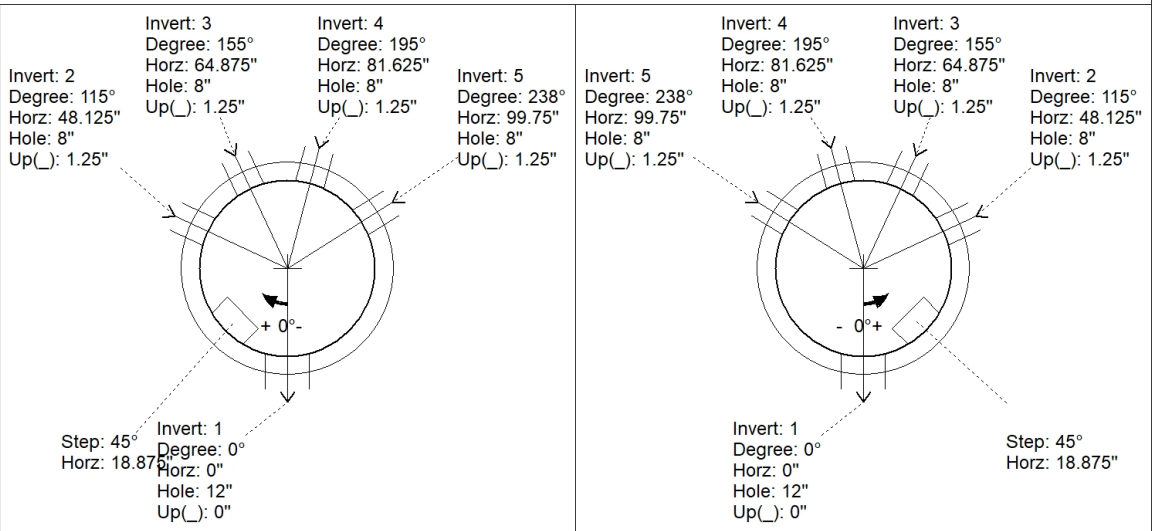
1. PER ASTM C478 SPECIFICATIONS.
2. CONCRETE = 4,000 PSI AT 28 DAYS.
3. REINFORCING PER ASTM A615 (GRADE 60).
 - CONE (As .12)
 - RISER/WALLS (As .12)
 - FLOOR (As .31) #5 BARS AT 12" C.C.E.W.
4. HOE MC-315 SANITARY PROVIDED BY ICAST.

Rim: 540' Rim to Invert: 8.01' Slack: 1.12" Sump: 2" Step Position: 45°

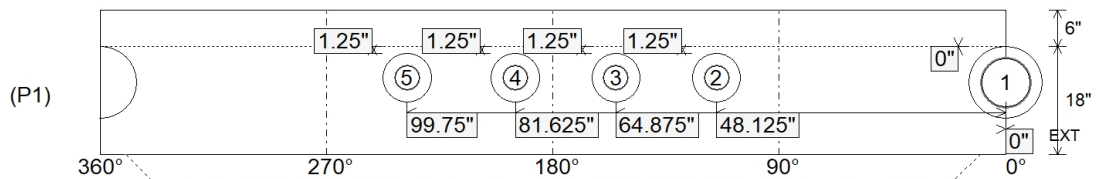
Position	Elev	Angle	Ext. (cw)	Pipe	Pipe OD	Connector	Hole	Horz Size	Up ()	Offset
Invert 1	531.99'	0°	0"	8" PVC SDR35	8.5"	PSX 12-08 NYLO	12"	12.129"	0"	0"
Invert 2	532.09'	115°	58.25"	4" PVC SDR35	4.25"	PSX 8QRS-S NYLO	8"	8.038"	1.25"	0"
Invert 3	532.09'	155°	78.5"	4" PVC SDR35	4.25"	PSX 8QRS-S NYLO	8"	8.038"	1.25"	0"
Invert 4	532.09'	195°	98.75"	4" PVC SDR35	4.25"	PSX 8QRS-S NYLO	8"	8.038"	1.25"	0"
Invert 5	532.09'	238°	120.5"	4" PVC SDR35	4.25"	PSX 8QRS-S NYLO	8"	8.038"	1.25"	0"
Invert 6										
Invert 7										
Invert 8										

RIGHT-SIDE UP VIEW (int. dimensions)

UPSIDE-DOWN VIEW (int. dimensions)



INSIDE WALL DIMENSIONS



Coating (Int):
 Coating (Ext):

Seam Up: Tongue
 Seam Dn: n/a

Wall Thickness: 5"
 Floor Height: 6"

Height (Int): 18"
 Height (Ext): 24"

Weight (Net): 2455 lb
 Volume (Net): 0.63cu.yd

Job Name: 25-2666 Residential Subdivision
 Job Location: Hawesville, Ky
 Contractor: Winwater Hartford KY Co.

Plant: 100

12/15/2025 8:25:08 AM

Tech: C.Russ
 PC: A.Chambers



Structure ID: SSMH C2

P1A MH048BA18

MH BASE T/n

- P4) 24" - CASTING HEIGHT - 7"
- P3) 48" - ECC CONE w/ 24" HOLE F/G - 42"
- P2) 48" - MH RISER T/G - 30"
- P1) 48" - MH BASE T/n - 18"
- 1) CASTING - HOE MC-315 F/C Sanitary
- 2) 48" - DBL 1"x14.5' Butyl (2x)
- 1) PSX - 12-08 NYLO
- 4) PSX - 8QRS-S NYLO
- 8) MH Step ML-10-TDS-NCR - 10"

0 lb
 3200 lb
 2096 lb
 2455 lb
 258 lb
 0 lb
 8 lb
 26 lb
 0 lb

 Structure Total: 8043 lb

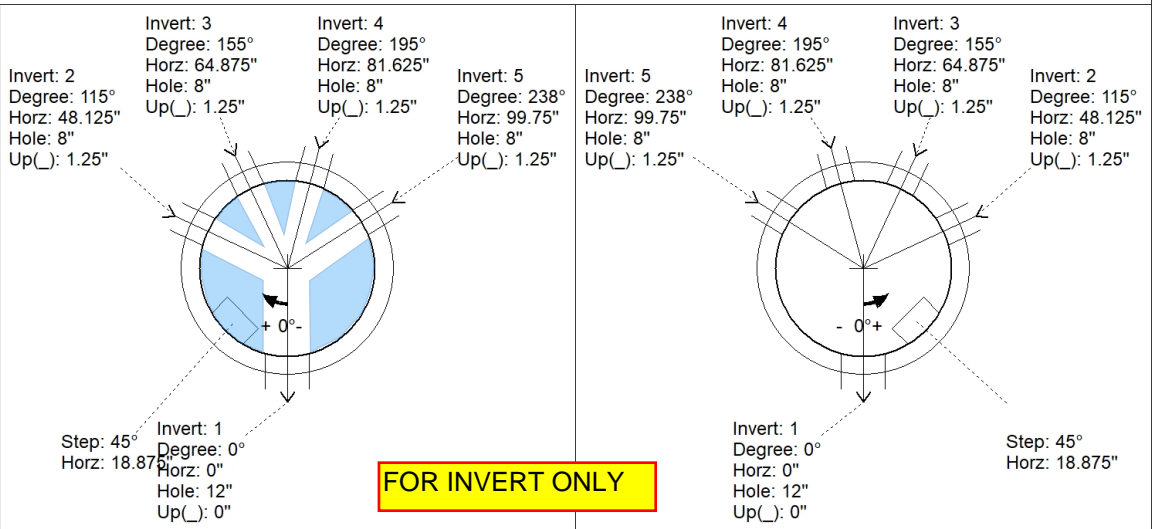
- Structure Notes:**
1. PER ASTM C478 SPECIFICATIONS.
 2. CONCRETE = 4,000 PSI AT 28 DAYS.
 3. REINFORCING PER ASTM A615 (GRADE 60).
 - CONE (As .12)
 - RISER/WALLS (As .12)
 - FLOOR (As .31) #5 BARS AT 12" C.C.E.W.
 4. HOE MC-315 SANITARY PROVIDED BY ICAST.

Rim: 540' Rim to Invert: 8.01' Slack: 1.12' Sump: 2' Step Position: 45°

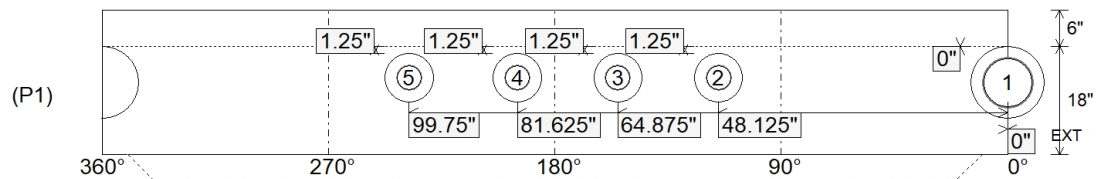
Position	Elev	Angle	Ext. (cw)	Pipe	Pipe OD	Connector	Hole	Horz Size	Up ()	Offset
Invert 1	531.99'	0°	0"	8" PVC SDR35	8.5"	PSX 12-08 NYLO	12"	12.129"	0"	0"
Invert 2	532.09'	115°	58.25"	4" PVC SDR35	4.25"	PSX 8QRS-S NYLO	8"	8.038"	1.25"	0"
Invert 3	532.09'	155°	78.5"	4" PVC SDR35	4.25"	PSX 8QRS-S NYLO	8"	8.038"	1.25"	0"
Invert 4	532.09'	195°	98.75"	4" PVC SDR35	4.25"	PSX 8QRS-S NYLO	8"	8.038"	1.25"	0"
Invert 5	532.09'	238°	120.5"	4" PVC SDR35	4.25"	PSX 8QRS-S NYLO	8"	8.038"	1.25"	0"
Invert 6										
Invert 7										
Invert 8										

RIGHT-SIDE UP VIEW (int. dimensions)

UPSIDE-DOWN VIEW (int. dimensions)



INSIDE WALL DIMENSIONS



Coating (Int):
 Coating (Ext):

Seam Up: Tongue
 Seam Dn: n/a

Wall Thickness: 5"
 Floor Height: 6"

Height (Int): 18"
 Height (Ext): 24"

Weight (Net): 2455 lb
 Volume (Net): 0.63cu.yd

Job Name: 25-2666 Residential Subdivision
 Job Location: Hawesville, Ky
 Contractor: Winwater Hartford KY Co.

Plant: 100

12/15/2025 8:25:39 AM

Tech: C.Russ

PC: A.Chambers



Structure ID: SSMH C2

P2 MH048RS30

MH RISER T/G

- P4) 24" - CASTING HEIGHT - 7"
- P3) 48" - ECC CONE w/ 24" HOLE F/G - 42"
- P2) 48" - MH RISER T/G - 30"
- P1) 48" - MH BASE T/n - 18"
- 1) CASTING - HOE MC-315 F/C Sanitary
- 2) 48" - DBL 1"x14.5' Butyl (2x)
- 1) PSX - 12-08 NYLO
- 4) PSX - 8QRS-S NYLO
- 8) MH Step ML-10-TDS-NCR - 10"

0 lb
 3200 lb
 2096 lb
 2455 lb
 258 lb
 0 lb
 8 lb
 26 lb
 0 lb

 Structure Total: 8043 lb

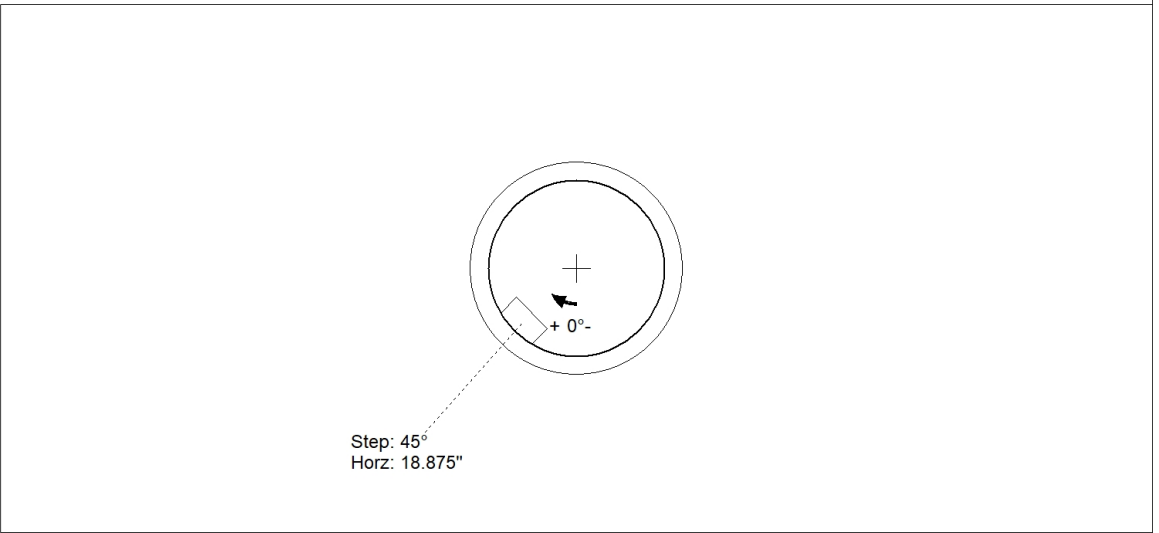
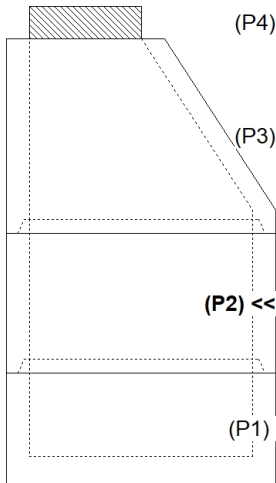
Structure Notes:

1. PER ASTM C478 SPECIFICATIONS.
2. CONCRETE = 4,000 PSI AT 28 DAYS.
3. REINFORCING PER ASTM A615 (GRADE 60).
 - CONE (As .12)
 - RISER/WALLS (As .12)
 - FLOOR (As .31) #5 BARS AT 12" C.C.E.W.
4. HOE MC-315 SANITARY PROVIDED BY ICAST.

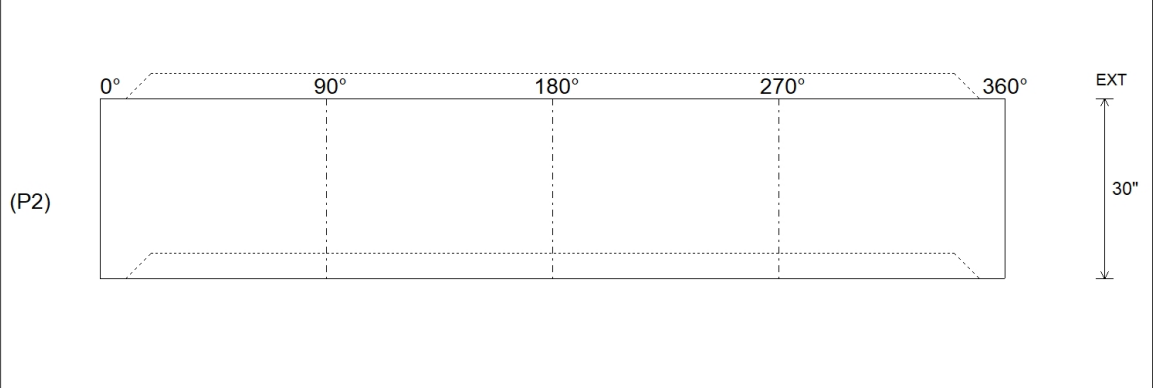
Rim: 540' Rim to Invert: 8.01' Slack: 1.12" Sump: 2" Step Position: 45°

Position	Elev	Angle	Ext. (cw)	Pipe	Pipe OD	Connector	Hole	Horz Size	Up (L)	Offset
Invert 1										
Invert 2										
Invert 3										
Invert 4										
Invert 5										
Invert 6										
Invert 7										
Invert 8										

RIGHT-SIDE UP VIEW (int. dimensions)



INSIDE WALL DIMENSIONS



Coating (Int): Coating (Ext):	Seam Up: Tongue Seam Dn: Groove	Wall Thickness: 5" Floor Height: 0"	Height (Int): 30" Height (Ext): 30"	Weight (Net): 2096 lb Volume (Net): 0.54cu.yd
----------------------------------	------------------------------------	--	--	--

Job Name: 25-2666 Residential Subdivision
 Job Location: Hawesville, Ky
 Contractor: Winwater Hartford KY Co.

Plant: 100
 12/15/2025 8:26:10 AM

Tech: C.Russ
 PC: A.Chambers



Structure ID: SSMH C2

P3 MH048CN42

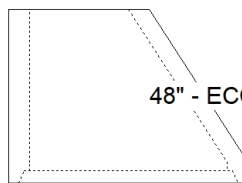
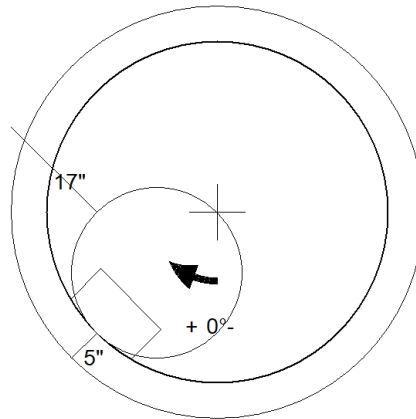
ECC CONE w/ 24" HOLE F/G

- P4) 24" - CASTING HEIGHT - 7"
- P3) 48" - ECC CONE w/ 24" HOLE F/G - 42"
- P2) 48" - MH RISER T/G - 30"
- P1) 48" - MH BASE T/n - 18"
- 1) CASTING - HOE MC-315 F/C Sanitary
- 2) 48" - DBL 1"x14.5' Butyl (2x)
- 1) PSX - 12-08 NYLO
- 4) PSX - 8QRS-S NYLO
- 8) MH Step ML-10-TDS-NCR - 10"

0 lb
 3200 lb
 2096 lb
 2455 lb
 258 lb
 0 lb
 8 lb
 26 lb
 0 lb

 Structure Total: 8043 lb

- Structure Notes:
1. PER ASTM C478 SPECIFICATIONS.
 2. CONCRETE = 4,000 PSI AT 28 DAYS.
 3. REINFORCING PER ASTM A615 (GRADE 60).
 - CONE (As .12)
 - RISER/WALLS (As .12)
 - FLOOR (As .31) #5 BARS AT 12" C.C.E.W.
 4. HOE MC-315 SANITARY PROVIDED BY ICAST.



48" - ECC CONE w/ 24" HOLE F/G - 42" - (P3)

Coating (Int): Coating (Ext):	Seam Up: Flat Seam Dn: Groove	Wall Thickness: 5"	Height (Ext): 42"	Weight (Net): 3200 lb Volume (Net): 0.5cu.yd
----------------------------------	----------------------------------	--------------------	-------------------	---