



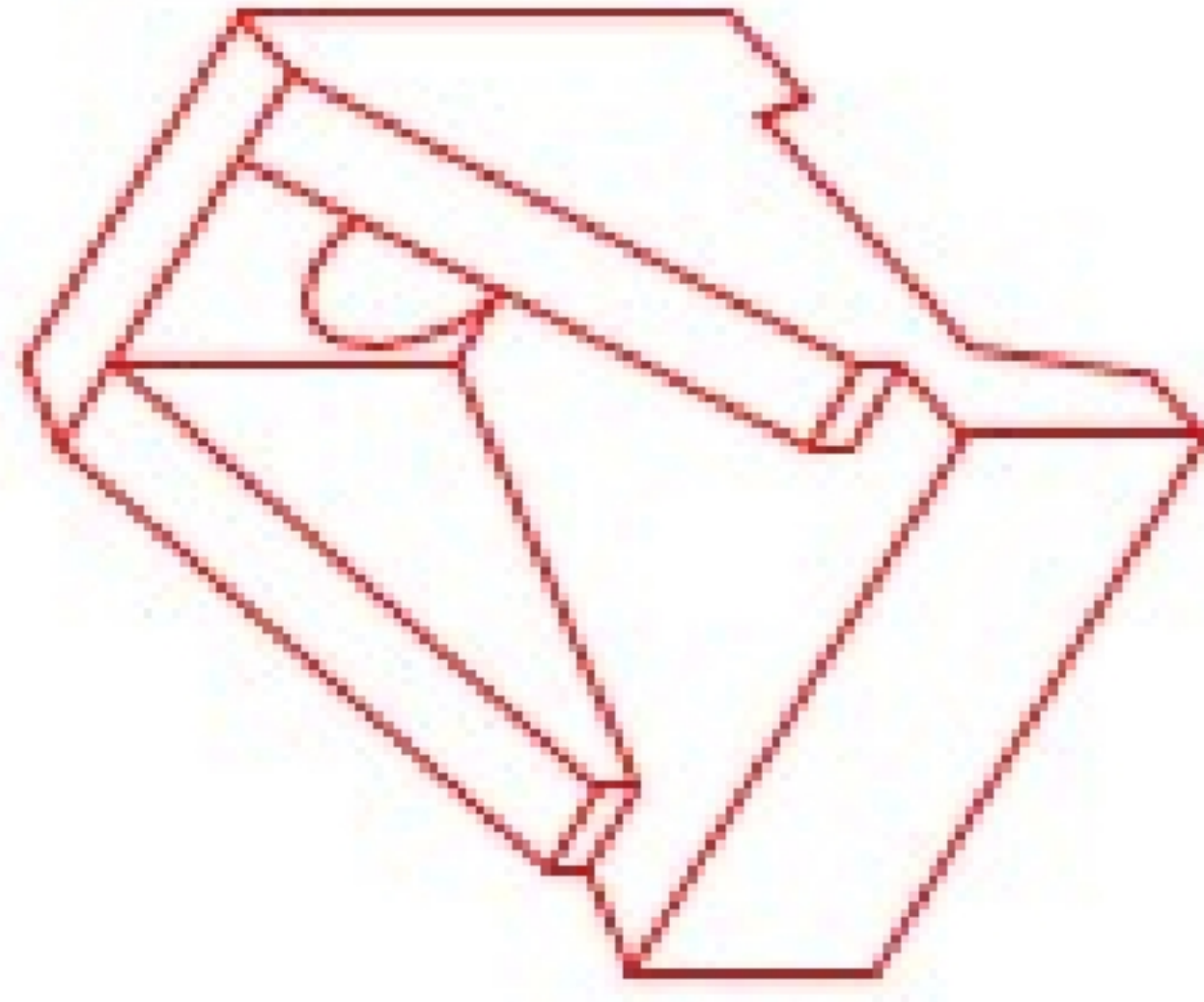
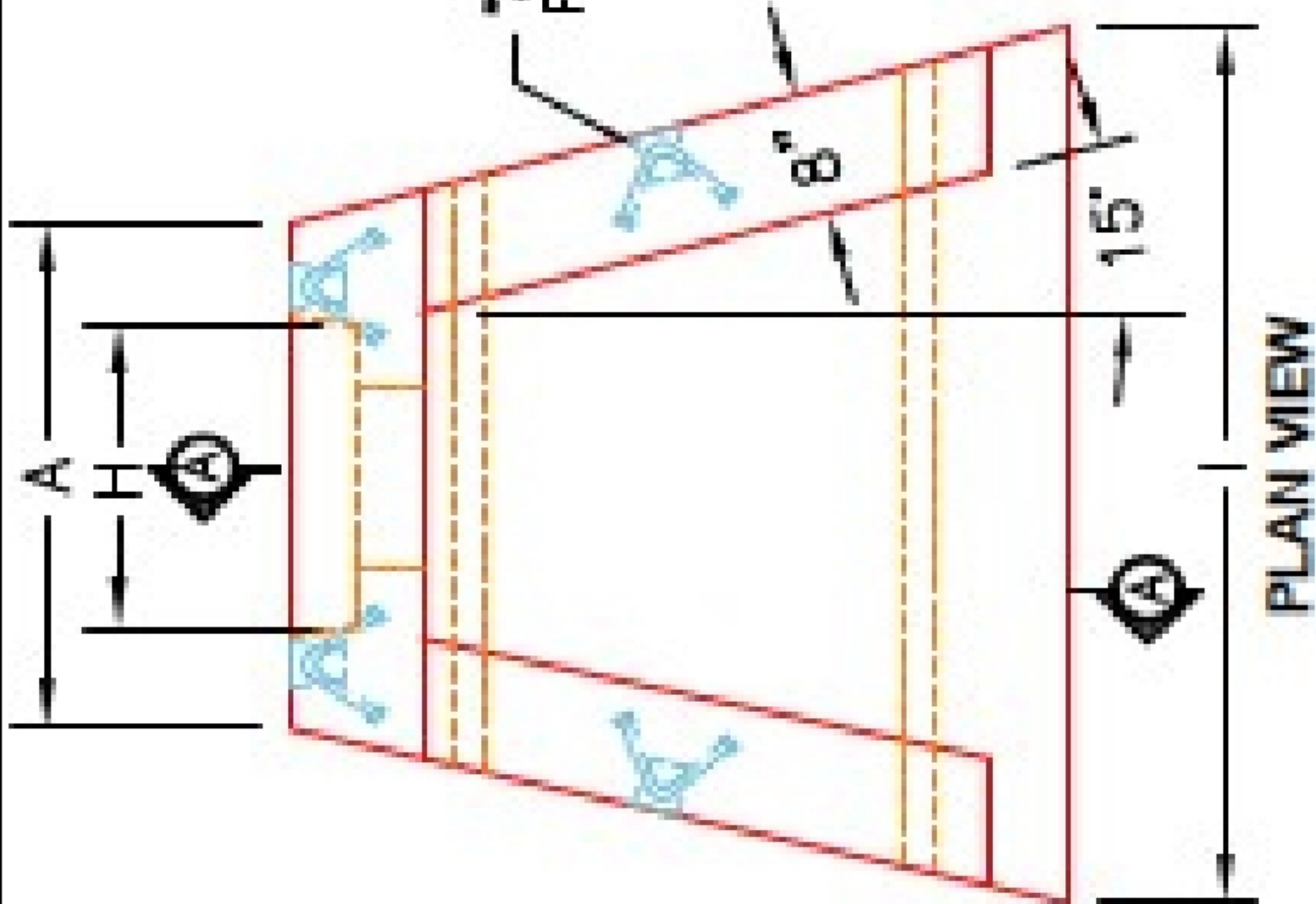
**Structure ID: HW BA4**

**P1 HWSF12**

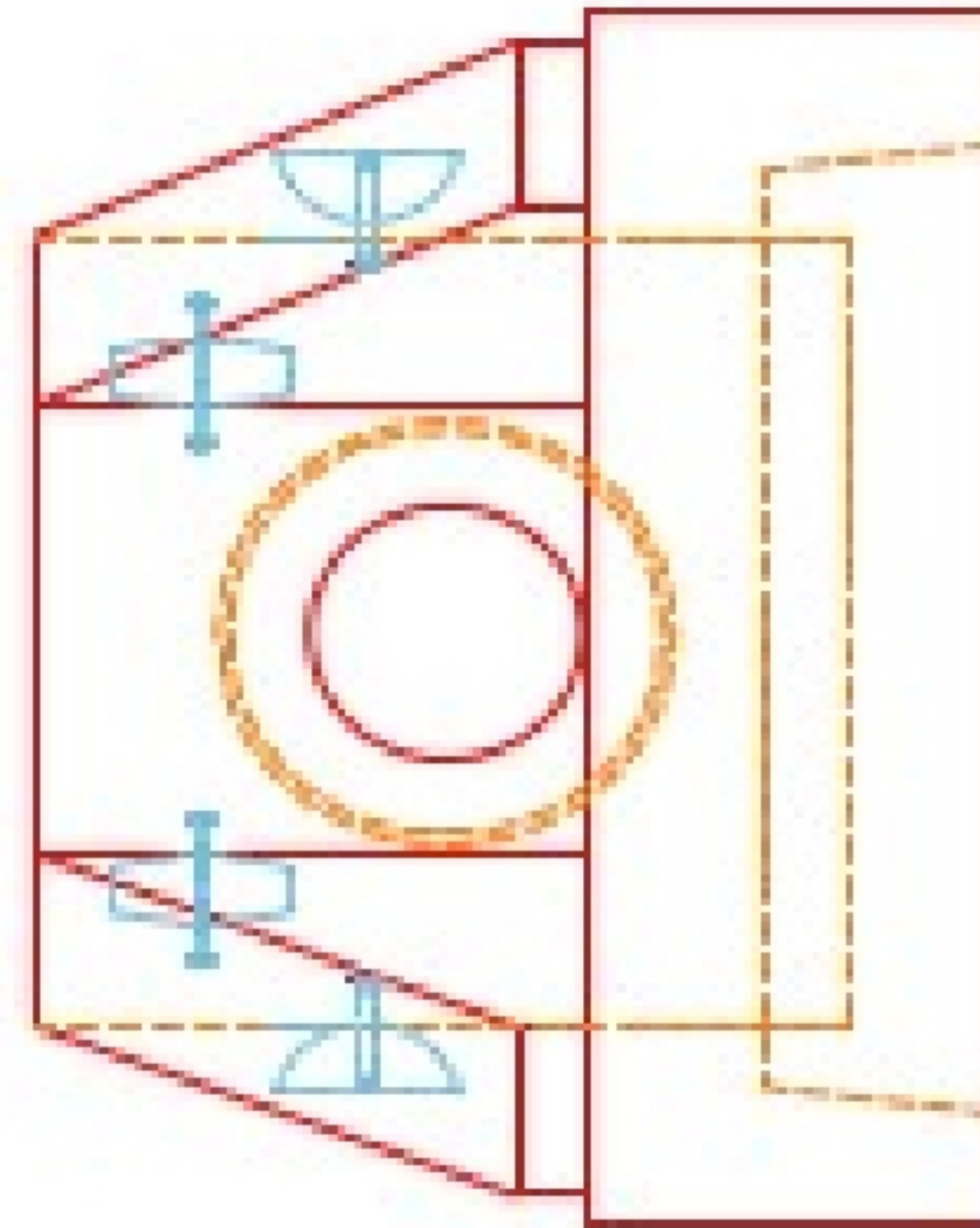
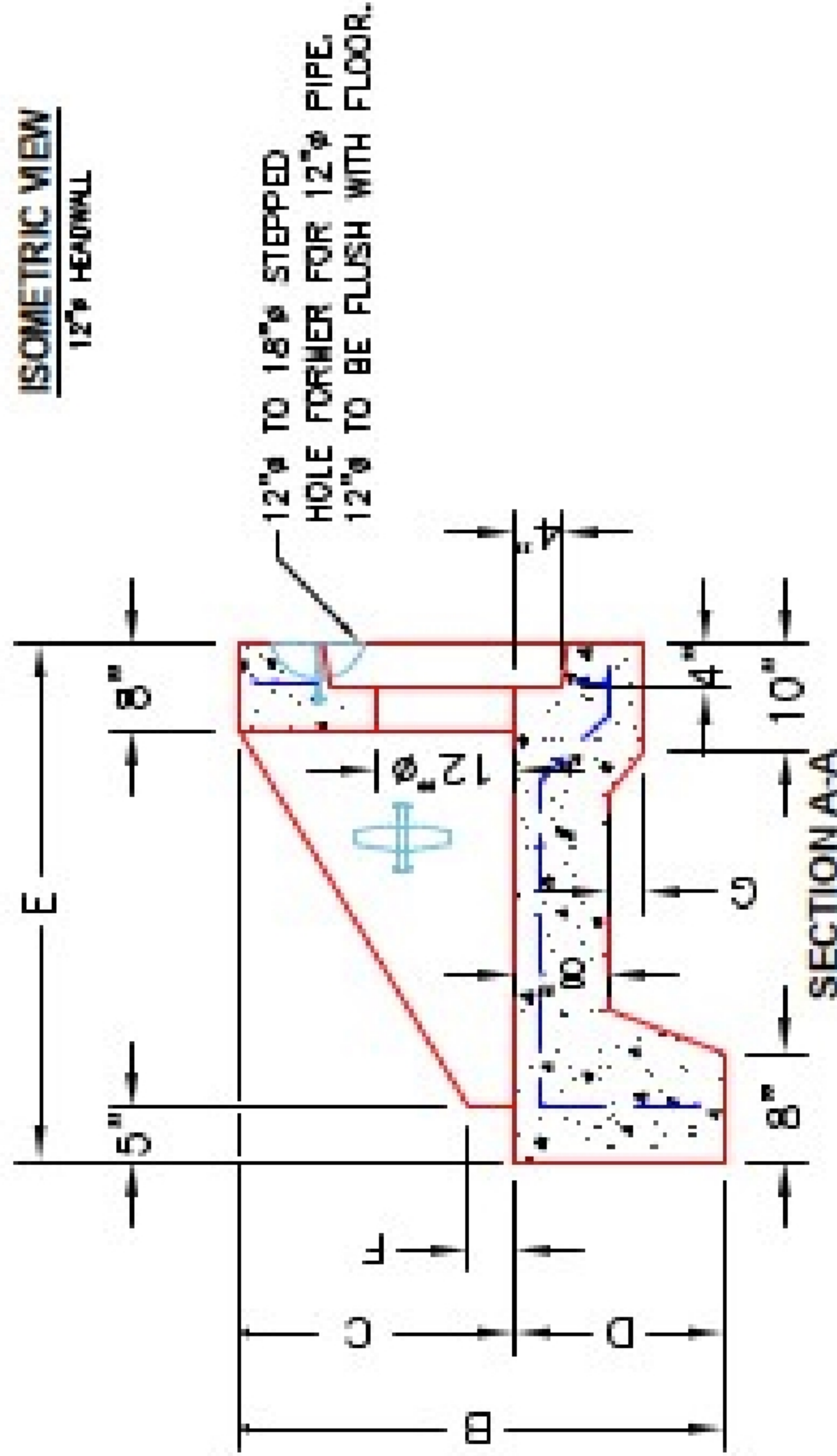
**12" - SLOPED & FLARED HEADWALL F/F**

DIMENSIONS										
PPE Ø	A	B	C	D	E	F	G	H	I	WEIGHT
12"	2'-8"	3'-6"	2'-0"	1'-8"	4'-0"	3"	28"	1'-8"	4'-9"	3,161 LBS.

"A-ANCHOR" LIFTING SYSTEM FOR PLANT & FIELD HANDLING.



ISOMETRIC VIEW  
12" HEADWALL



FRONT ELEVATION

- NOTES:**
1. CONCRETE: 4500 PS @ 28 DAYS.
  2. REINFORCING: #4 BAR @ 12" C/C E/W - GRADE 60, (WITH 2" CONCRETE COVER MINIMUM)
  3. REINFORCING BARS TO BE TACK WELDED OR TIED.
  4. DRAWING TO BE USED IN CONJUNCTION WITH KYTC STD. DRAWING RDH-020-03 AND THE STANDARD SPECIFICATIONS FOR ROAD AND BRIDGE CONSTRUCTION.
  5. CHAMFER ON ALL EXPOSED EDGES.

PRODUCTION WORK ORDER		PRODUCT I.D.: HWSF12	DESCRIPTION: KYTC 12" SLOPED & FLARED HEADWALL
QUALITY CONTROL CHECKLIST		PRODUCT VIEW: RIGHT SIDE UP	CUSTOMER: STOCK
<input type="checkbox"/>	ALL DIMENSIONS CORRECT.	PLANT: BEAVER DAM, KY.	PROJECT: STOCK INVENTORY
<input type="checkbox"/>	LIFTERS INSTALLED.	WEIGHT: 3,161 LBS.	STRUCTURE I.D.: N/A
<input type="checkbox"/>	STEPPED HF CORRECT SIZE.	TOP SECTION JOINT: N/A	QUOTE/SALES ORDER NO: N/A
<input type="checkbox"/>	REINFORCING CORRECT.	BASE SECTION JOINT: N/A	CHECK: JH. ROSS, PE
<input type="checkbox"/>	DISSIPATOR BLOCK INSTALLED.	QC CHECK INITIALS:	DRAWING: N. RICHARDS
<input type="checkbox"/>	EDGES CHAMFERED.		DATE: 08/15/22
<input type="checkbox"/>	ALL PATCHWORK ACCEPTABLE.		SCALE: NTS
			FIG. 1 of 1

