

Job Name: 25-2666 Residential Subdivision	Plant: 100	Tech: C.Russ	
Job Location: Hawesville, Ky Contractor: Winwater Hartford KY Co.	12/15/2025 8:25:39 AM	PC: A.Chambers	

**Structure ID: DBI AA6**

**P2 BX363608R-VF**

**BOX RISER 8inW, Variable Ht F/G**

P3) 36" x 36" - CASTING HEIGHT - 3"	0 lb
P2) 36" x 36" - BOX RISER 8inW, Variable Ht F/G - 44"	4762 lb
P1) 36" x 36" - BOX BASE 8inW, 8inF T/n - 36"	5521 lb
1) CASTING - HOE 595 F/G	376 lb
2) 36" x 36" - SGL 1"x14.5' Butyl (2x)	0 lb
1) Hole - 30	0 lb
1) DOGHOUSE INVRTD - 24"x26"	0 lb
7) MH Step ML-10-TDS-NCR - 10"	0 lb
<b>Structure Total:</b>	<b>10658 lb</b>

**Structure Notes:**

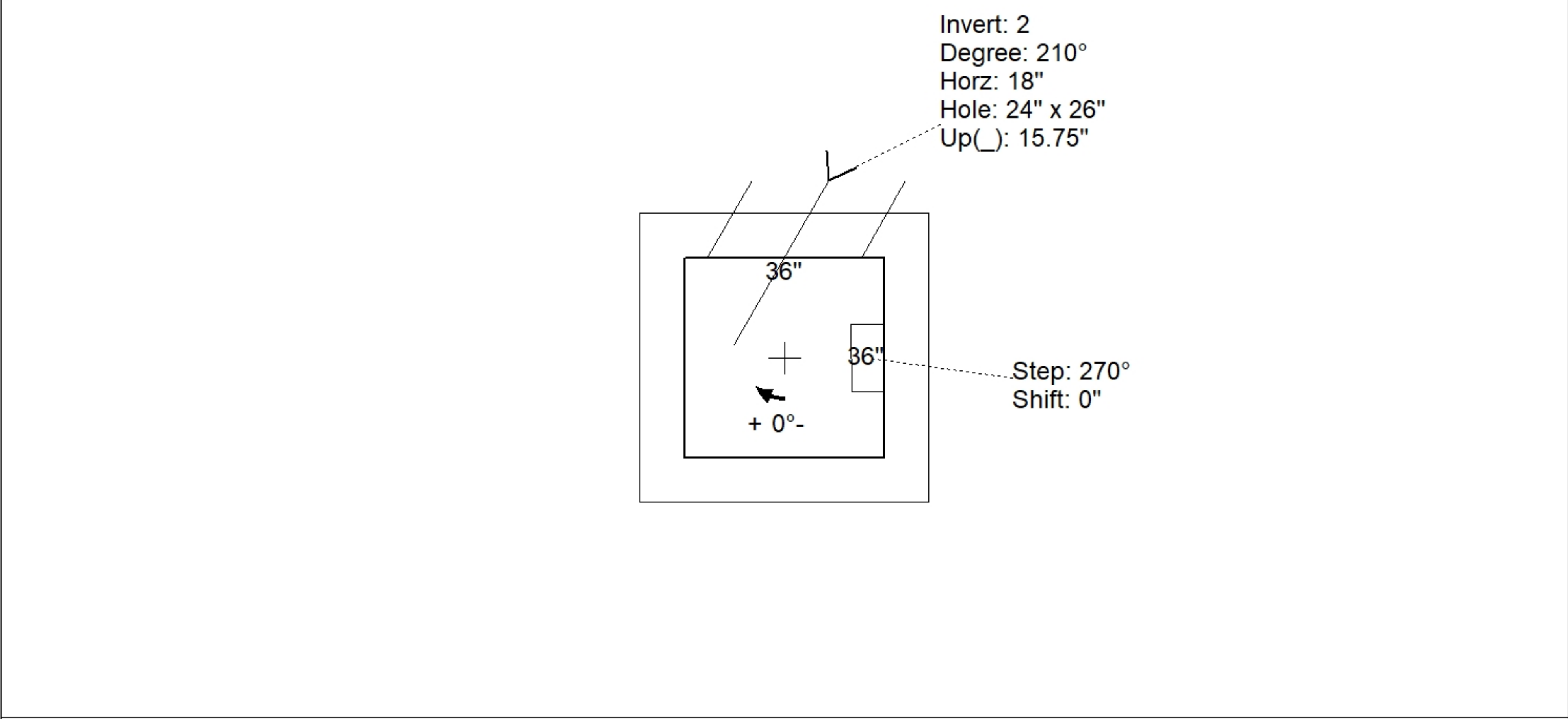
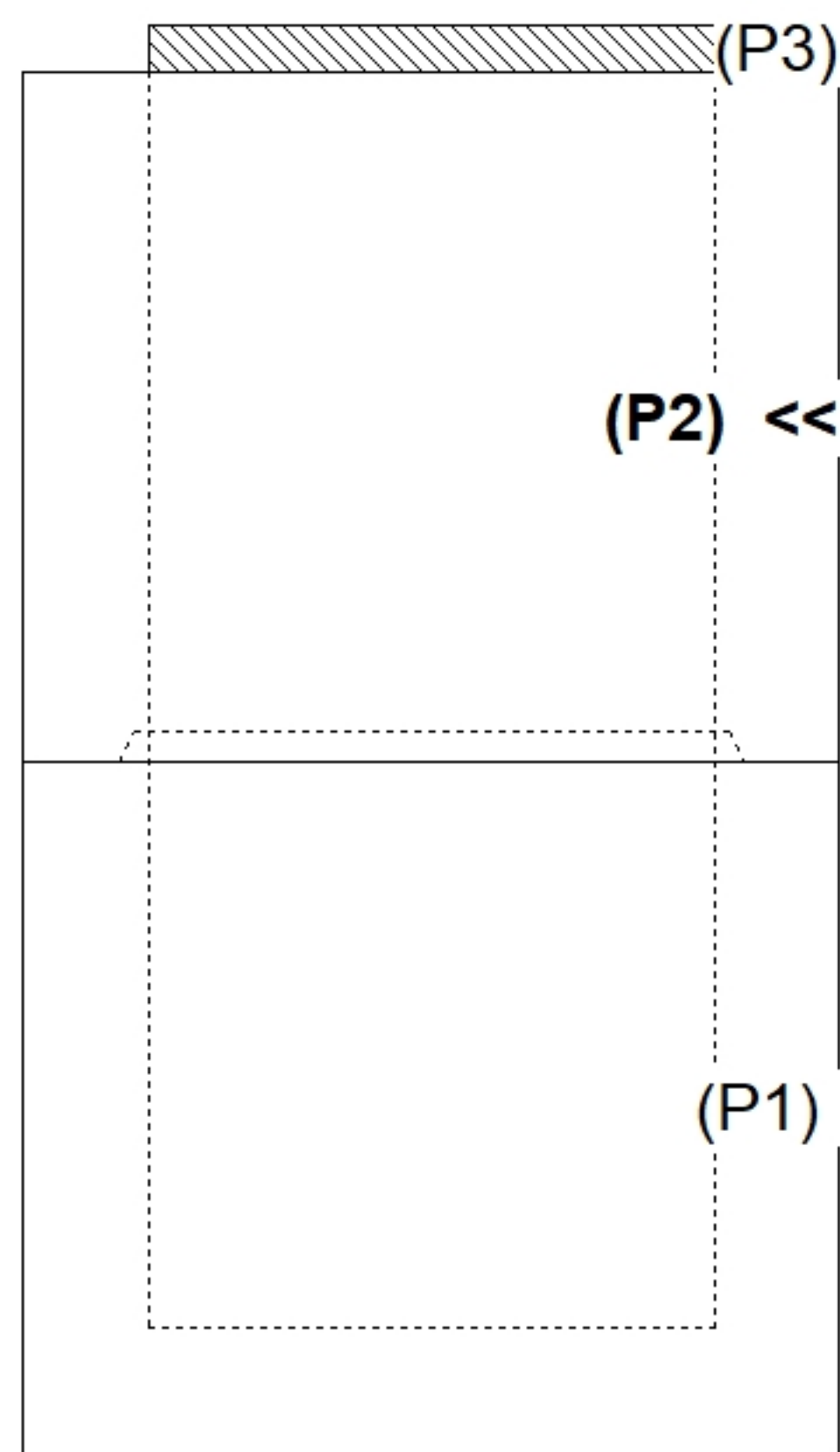
- PER ASTM C478 SPECIFICATIONS.
- CONCRETE = 4,000 PSI AT 28 DAYS.
- REINFORCING PER ASTM A615 (GRADE 60).  
- TOP SLAB (As .62) #5 BARS AT 6" C.C.E.W..  
- RISER/WALLS (As .12)  
- FLOOR (As .31) #5 BARS AT 12" C.C.E.W.
- CAST IN HOE 595 PROVIDED BY ICAST.
- VERIFY THE REQUIRED TYPE & SIZE. SUBMITTED

AS A 36"x36" CASTING TO ACCOMODATE THE PIPE SKEWS & EXISTING INLET ELEVATION.

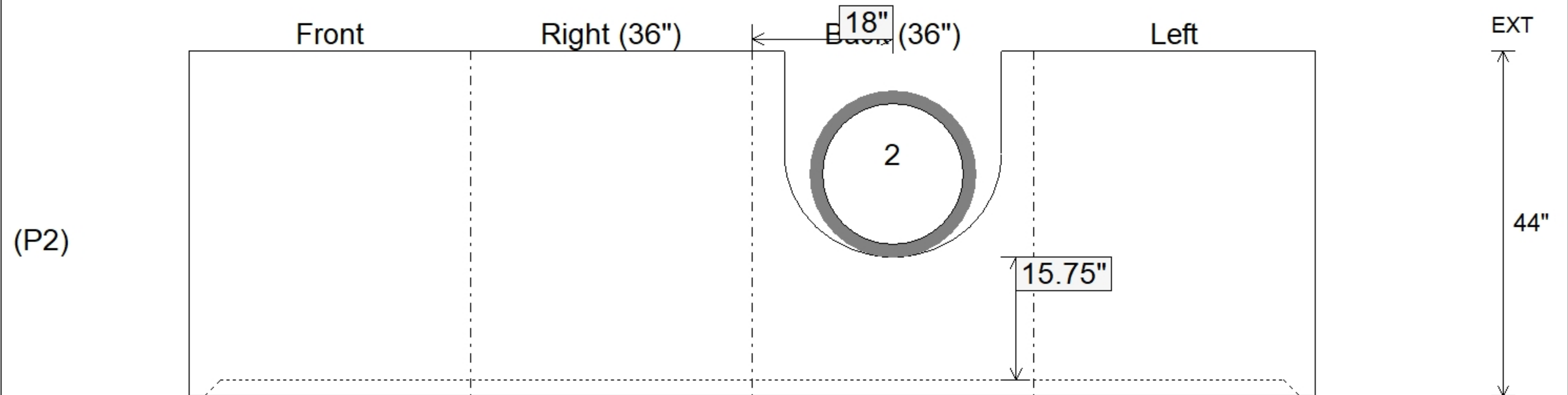
Rim: 523.34' Rim to Invert: 6.94' Slack: 0.28" Sump: 0" Step Position: 270°

Position	Elev	Angle	Ext. (cw)	Pipe	Pipe OD	Connector	Hole	Horz Size	Up ( )	Offset
Invert 1										
Invert 2	521.01'	210°	30.625"	18" HDPE	21.2"	DOGHOUSE INVRTD 24"x26"	24" x 26"	27.713"	15.75"	-9"
Invert 3										
Invert 4										
Invert 5										
Invert 6										
Invert 7										
Invert 8										

**RIGHT-SIDE UP VIEW (int. dimensions)**



**INSIDE WALL DIMENSIONS**



Coating (Int):	Seam Up: Flat	Wall Thickness: 8"	Height (Int): 44"	Weight (Net): 4762 lb
Coating (Ext):	Seam Dn: Groove	Floor Height: 0"	Height (Ext): 44"	Volume (Net): 1.22cu.yd