

Structure ID: DBI AA6

P1 BX3636-08BA36

BOX BASE 8inW, 8inF T/n

P3) 36" x 36" - CASTING HEIGHT - 3" P2) 36" x 36" - BOX RISER 8inW, Variable Ht F/G - 44" P1) 36" x 36" - BOX BASE 8inW, 8inF T/n - 36" 1) CASTING - HOE 595 F/G 2) 36" x 36" - SGL 1"x14.5' Butyl (2x) 1) Hole - 30 1) DOGHOUSE INVRTD - 24"x26" 7) MH Step ML-10-TDS-NCR - 10"	0 lb 4762 lb 5521 lb 376 lb 0 lb 0 lb 0 lb 0 lb 0 lb	
Structure Total:	10658 lb	

Structure Notes:

1. PER ASTM C478 SPECIFICATIONS.
2. CONCRETE = 4,000 PSI AT 28 DAYS.
3. REINFORCING PER ASTM A615 (GRADE 60).
 - TOP SLAB (As .62) #5 BARS AT 6" C.C.E.W..
 - RISER/WALLS (As .12)
 - FLOOR (As .31) #5 BARS AT 12" C.C.E.W.
4. CAST IN HOE 595 PROVIDED BY ICAST.
5. VERIFY THE REQUIRED TYPE & SIZE. SUBMITTED

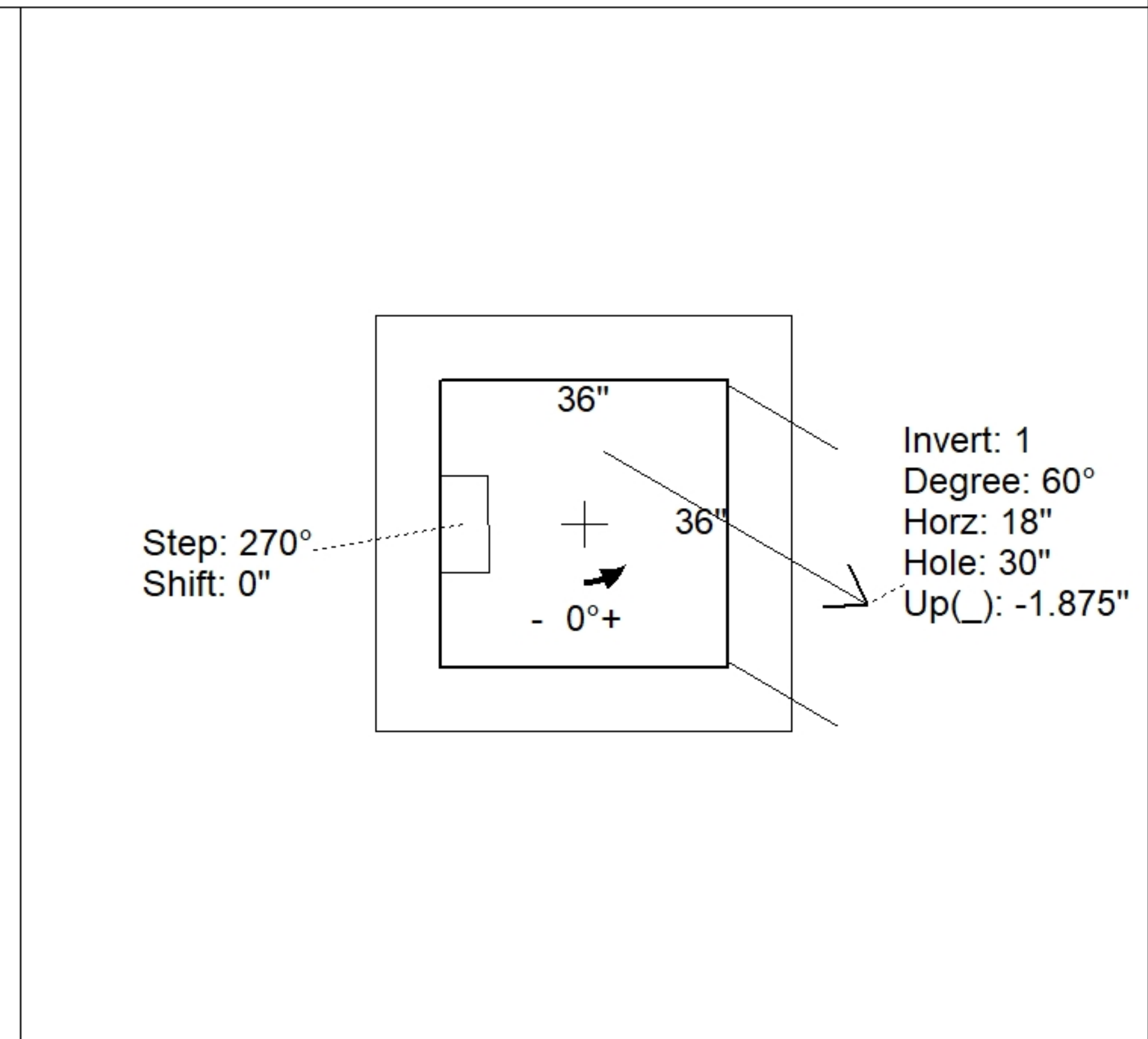
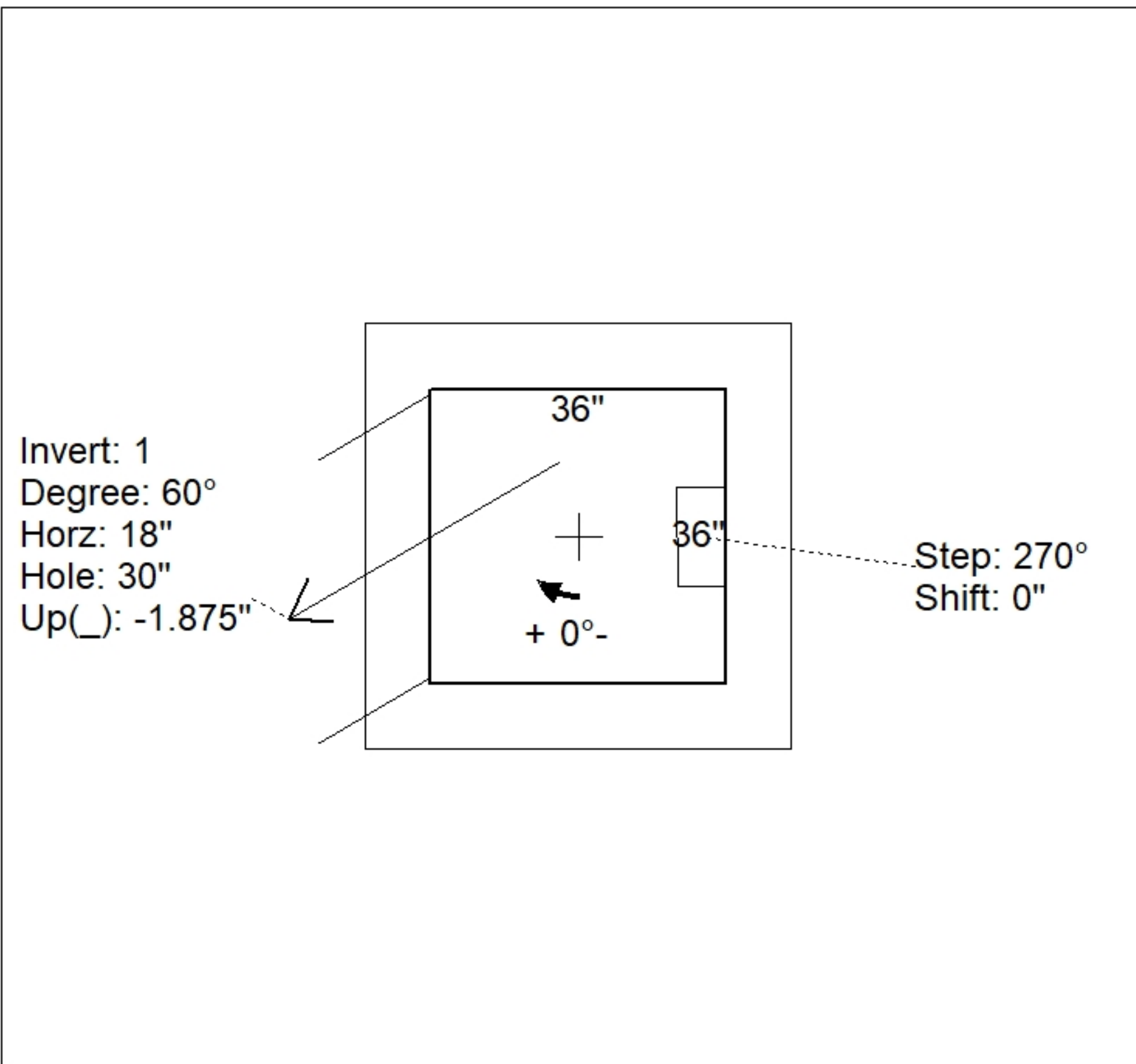
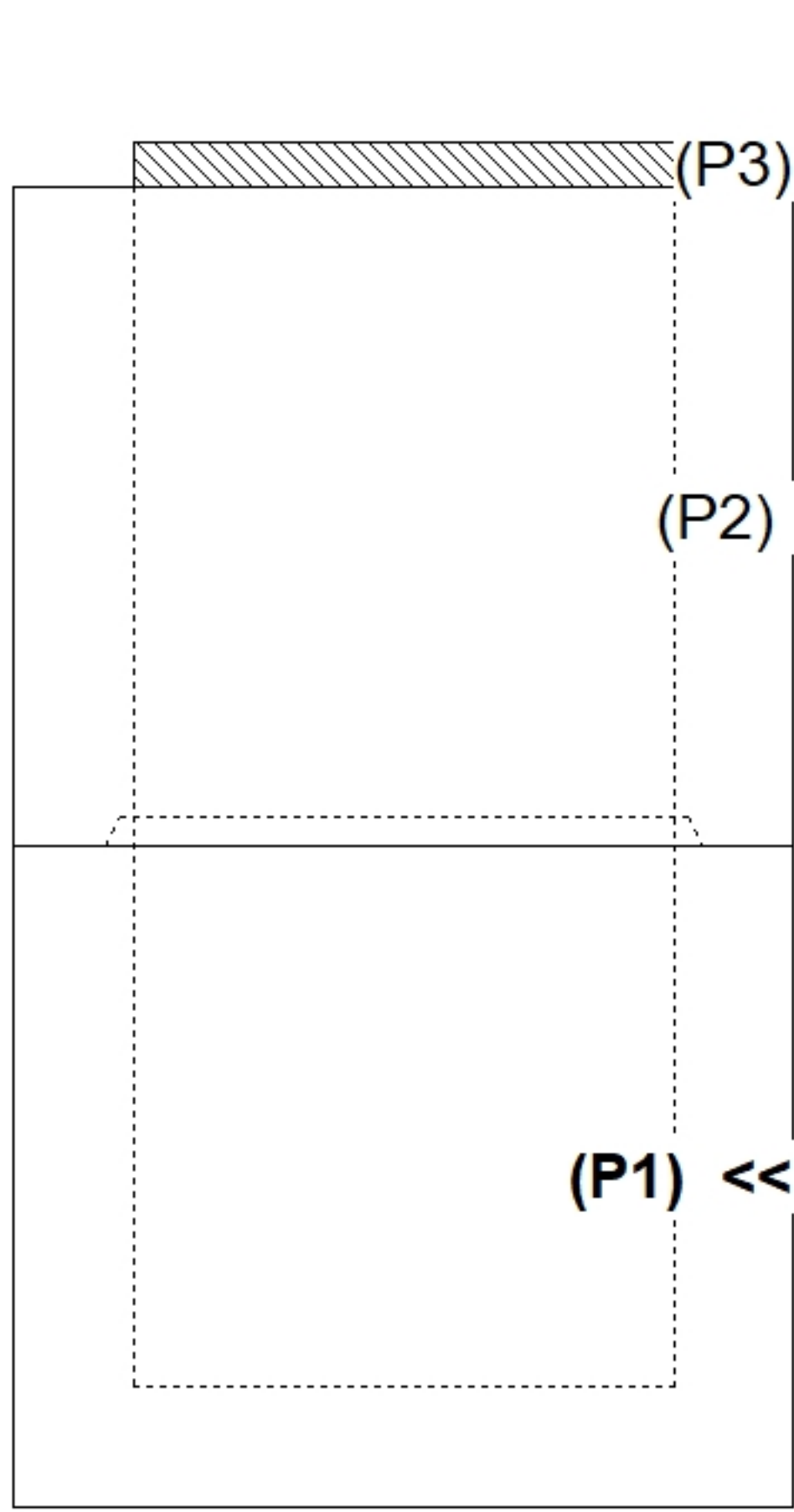
AS A 36"x36" CASTING TO ACCOMODATE THE PIPE SKEWS & EXISTING INLET ELEVATION.

Rim: 523.34' Rim to Invert: 6.94' Slack: 0.28" Sump: 0" Step Position: 270°

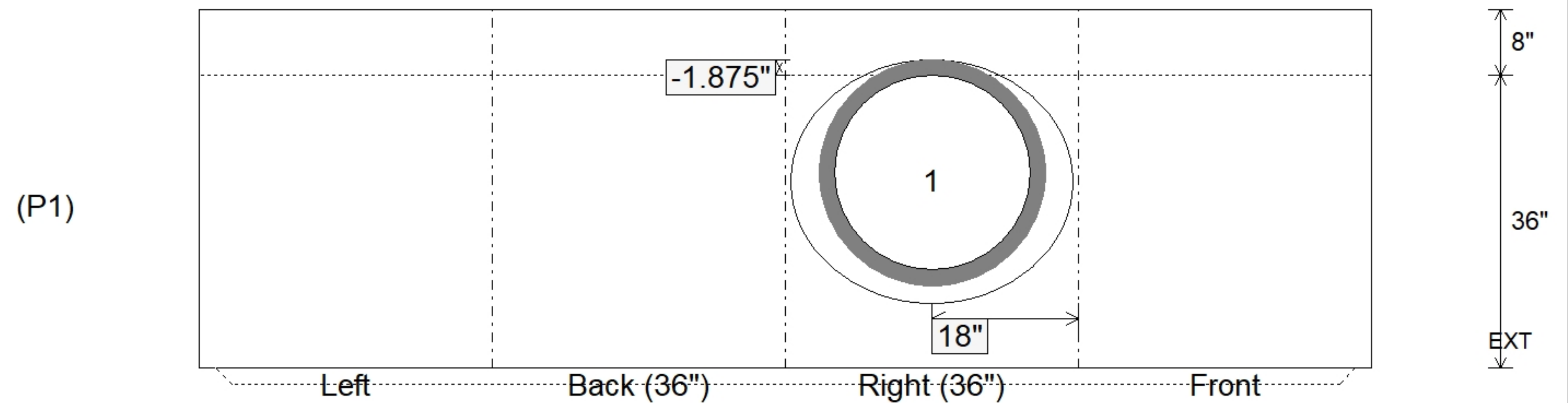
Position	Elev	Angle	Ext. (cw)	Pipe	Pipe OD	Connector	Hole	Horz Size	Up ()	Offset
Invert 1	516.4'	60°	21.375"	24" HDPE	27.8"	Hole 30	30"	34.641"	-1.875"	9"
Invert 2										
Invert 3										
Invert 4										
Invert 5										
Invert 6										
Invert 7										
Invert 8										

RIGHT-SIDE UP VIEW (int. dimensions)

UPSIDE-DOWN VIEW (int. dimenions)



INSIDE WALL DIMENSIONS



Coating (Int): Coating (Ext):	Seam Up: Tongue Seam Dn: n/a	Wall Thickness: 8" Floor Height: 8"	Height (Int): 36" Height (Ext): 44"	Weight (Net): 5521 lb Volume (Net): 1.41cu.yd
----------------------------------	---------------------------------	--	--	--