

Job Name: 25-2666 Residential Subdivision
Job Location: Hawesville, Ky
Contractor: Winwater Hartford KY Co.

PC: A.Chambers
 TECH: C.Russ
 Plant: 100

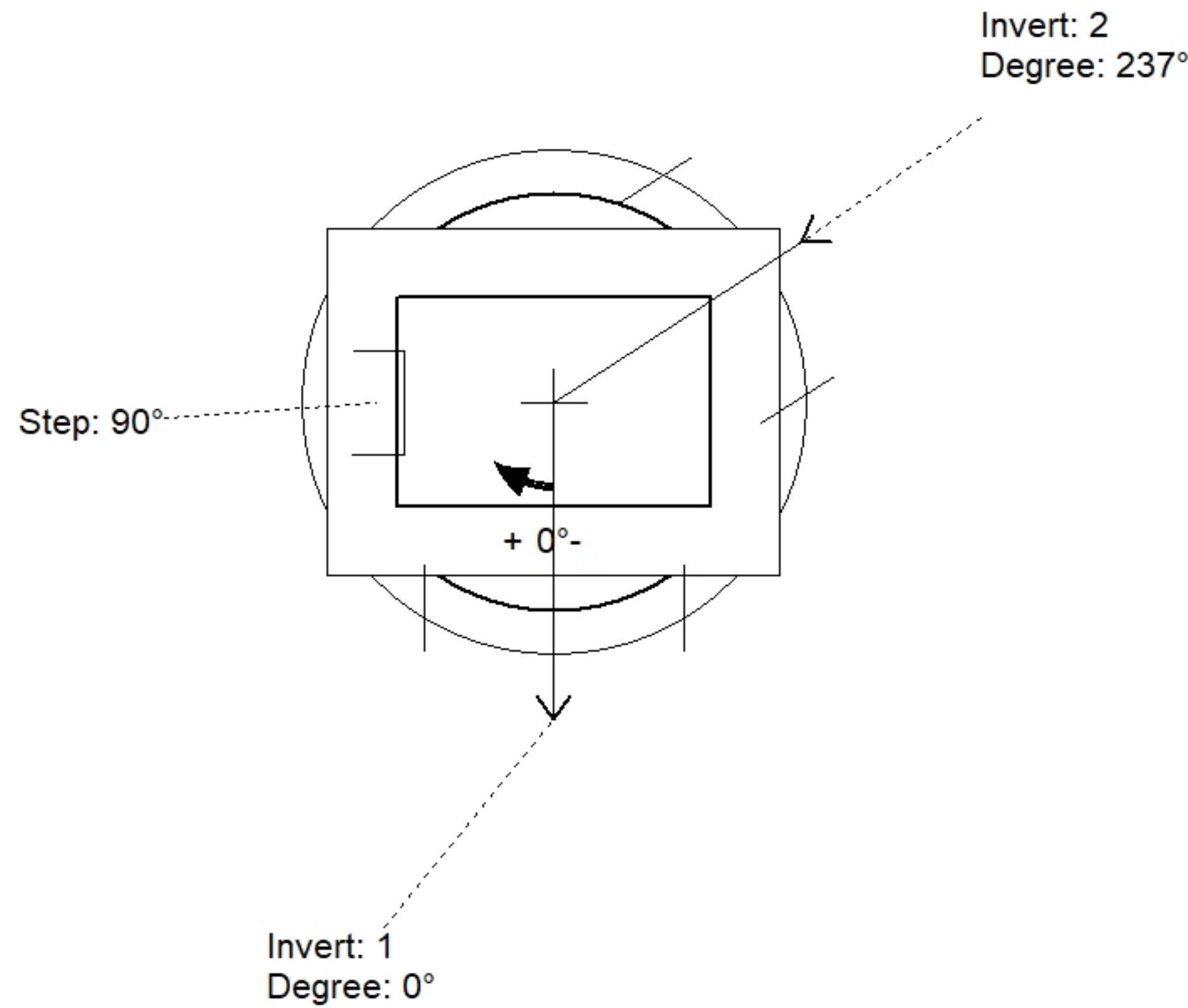


Structure ID: **DBI AA5**
 Spec: Storm Rim: 520.5' Sump: 1.9" Floor (Bot): 513.842'
 Type: STM.MH Invert: 514.5' Floor (Top): 514.342' Overall Height: 6.583'
 Size: 48" Rim to Invert: 6' Floor Height: 6" Slack: 0.9"

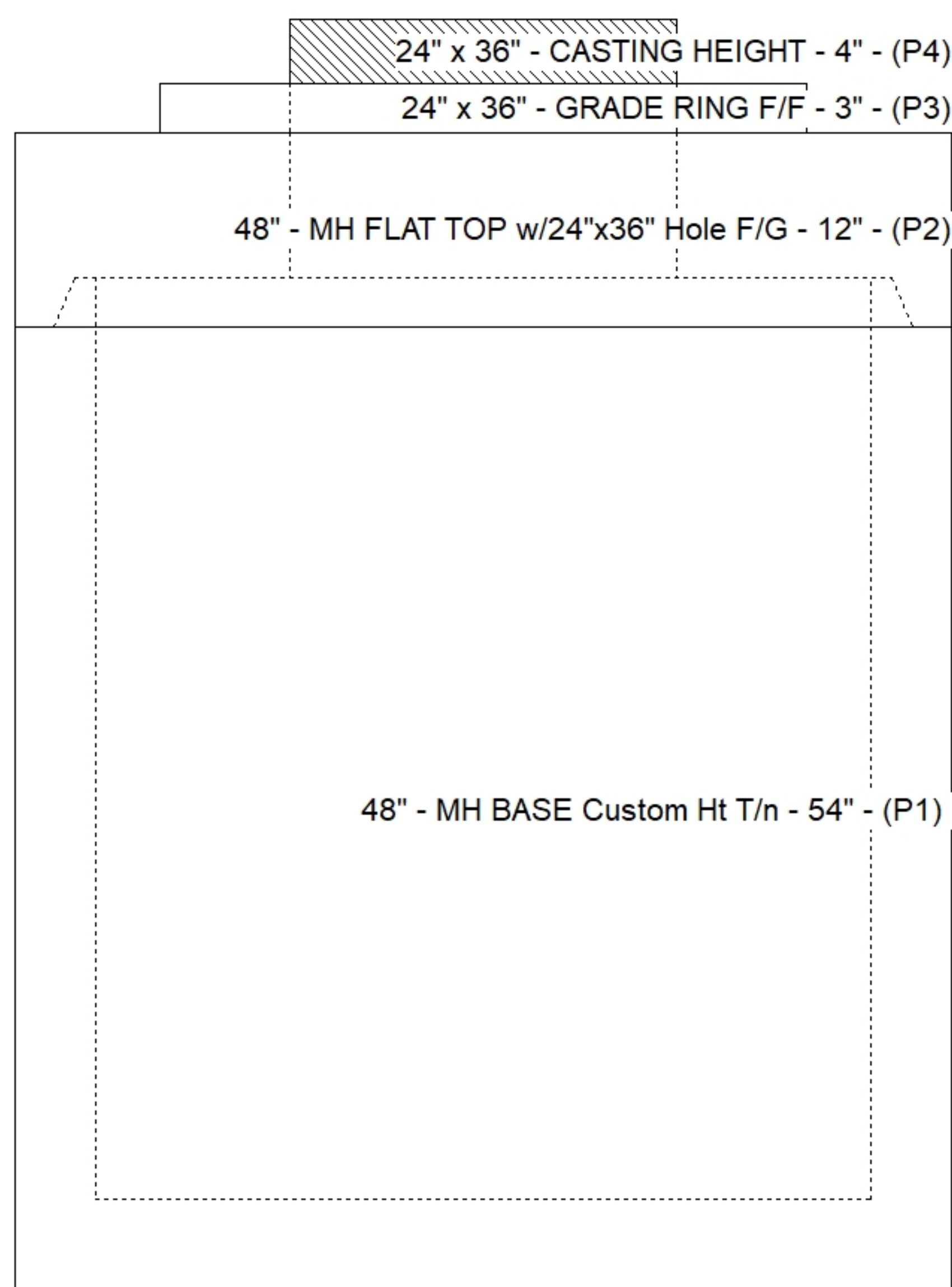
Structure Notes:
 1. PER ASTM C478 SPECIFICATIONS.
 2. CONCRETE = 4,000 PSI AT 28 DAYS.
 3. REINFORCING PER ASTM A615 (GRADE 60).
 - TOP SLAB (As .62) #5 BARS AT 6" C.C.E.W..
 - RISER/WALLS (As .12)
 - FLOOR (As .31) #5 BARS AT 12" C.C.E.W.
 4. HOE 518 PROVIDED BY ICAST
 5. VERIFY THE REQUIRED TYPE & SIZE. SUBMITTED AS A 24"X36" CASTING TO ACCOMODATE THE PIPE SKEWS & EXISTING INLET ELEVATION.

STRUCTURE SUMMARY:

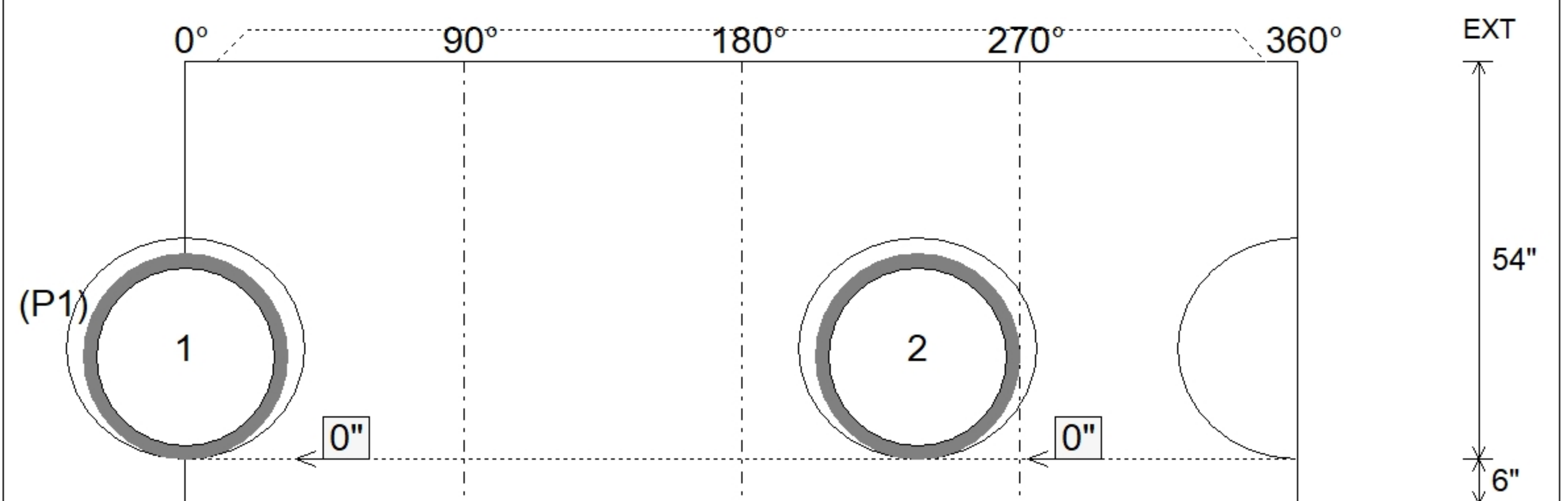
P4) 24" x 36" - CASTING HEIGHT - 4"	0 lb
P3) 24" x 36" - GRADE RING F/F - 3"	306 lb
P2) 48" - MH FLAT TOP w/24"x36" Hole F/G - 12"	1300 lb
P1) 48" - MH BASE Custom Ht T/n - 54"	4471 lb
1) 48" - SGL 1"x14.5' Butyl (2x)	0 lb
2) Hole - 30	0 lb
4) MH Step ML-10-TDS-NCR - 10"	0 lb
Structure Total:	6077 lb



Position	Elev	Angle	Pipe	Pipe OD	Hole	Connector	Up ()	Ref
Rim	520.5'							
Reducer								
Invert 1	514.5'	0°	24" HDPE	27.8"	30"	Hole 30	0"	P1
Invert 2	514.5'	237°	24" HDPE	27.8"	30"	Hole 30	0"	P1
Invert 3								
Invert 4								
Invert 5								
Invert 6								
Invert 7								
Invert 8								



Cast (Int. Dim.) - Interior Dimensions



Submittal Drawing
 12/15/2025 8:24:24 AM

SUBMITTAL
 APPROVED BY: