

Job Name: 25-2666 Residential Subdivision	Plant: 100	Tech: C.Russ	
Job Location: Hawesville, Ky Contractor: Winwater Hartford KY Co.	12/15/2025 8:26:08 AM	PC: A.Chambers	

**Structure ID: DBI AA5**

**P3 GR24x36x8x3**

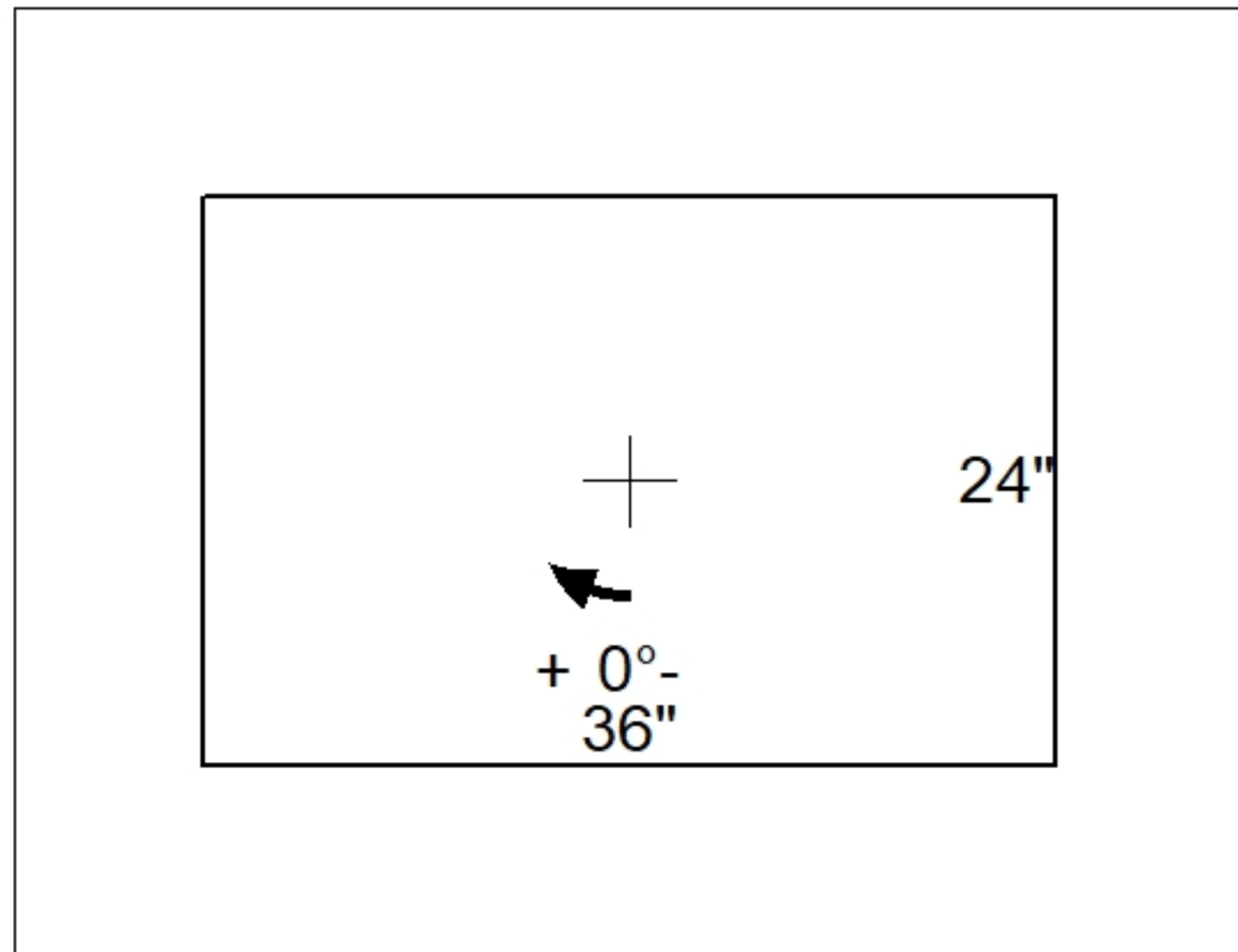
**GRADE RING F/F**

P4) 24" x 36" - CASTING HEIGHT - 4"	0 lb
P3) 24" x 36" - GRADE RING F/F - 3"	306 lb
P2) 48" - MH FLAT TOP w/24"x36" Hole F/G - 12"	1300 lb
P1) 48" - MH BASE Custom Ht T/n - 54"	4471 lb
1) 48" - SGL 1"x14.5' Butyl (2x)	0 lb
2) Hole - 30	0 lb
4) MH Step ML-10-TDS-NCR - 10"	0 lb
Structure Total:	6077 lb

Structure Notes:

- PER ASTM C478 SPECIFICATIONS.
- CONCRETE = 4,000 PSI AT 28 DAYS.
- REINFORCING PER ASTM A615 (GRADE 60).  
- TOP SLAB (As .62) #5 BARS AT 6" C.C.E.W..  
- RISER/WALLS (As .12)  
- FLOOR (As .31) #5 BARS AT 12" C.C.E.W.
- HOE 518 PROVIDED BY ICAST
- VERIFY THE REQUIRED TYPE & SIZE. SUBMITTED

AS A 24"X36" CASTING TO ACCOMODATE THE PIPE SKEWS & EXISTING INLET ELEVATION.



Coating (Int): Coating (Ext):	Seam Up: Flat Seam Dn: Flat	Wall Thickness: 8"	Height (Ext): 3"	Weight (Net): 306 lb Volume (Net): 0.08cu.yd
----------------------------------	--------------------------------	--------------------	------------------	---