

Job Name: 25-2666 Residential Subdivision
Job Location: Hawesville, Ky
Contractor: Winwater Hartford KY Co.

PC: A.Chambers
 TECH: C.Russ
 Plant: 100



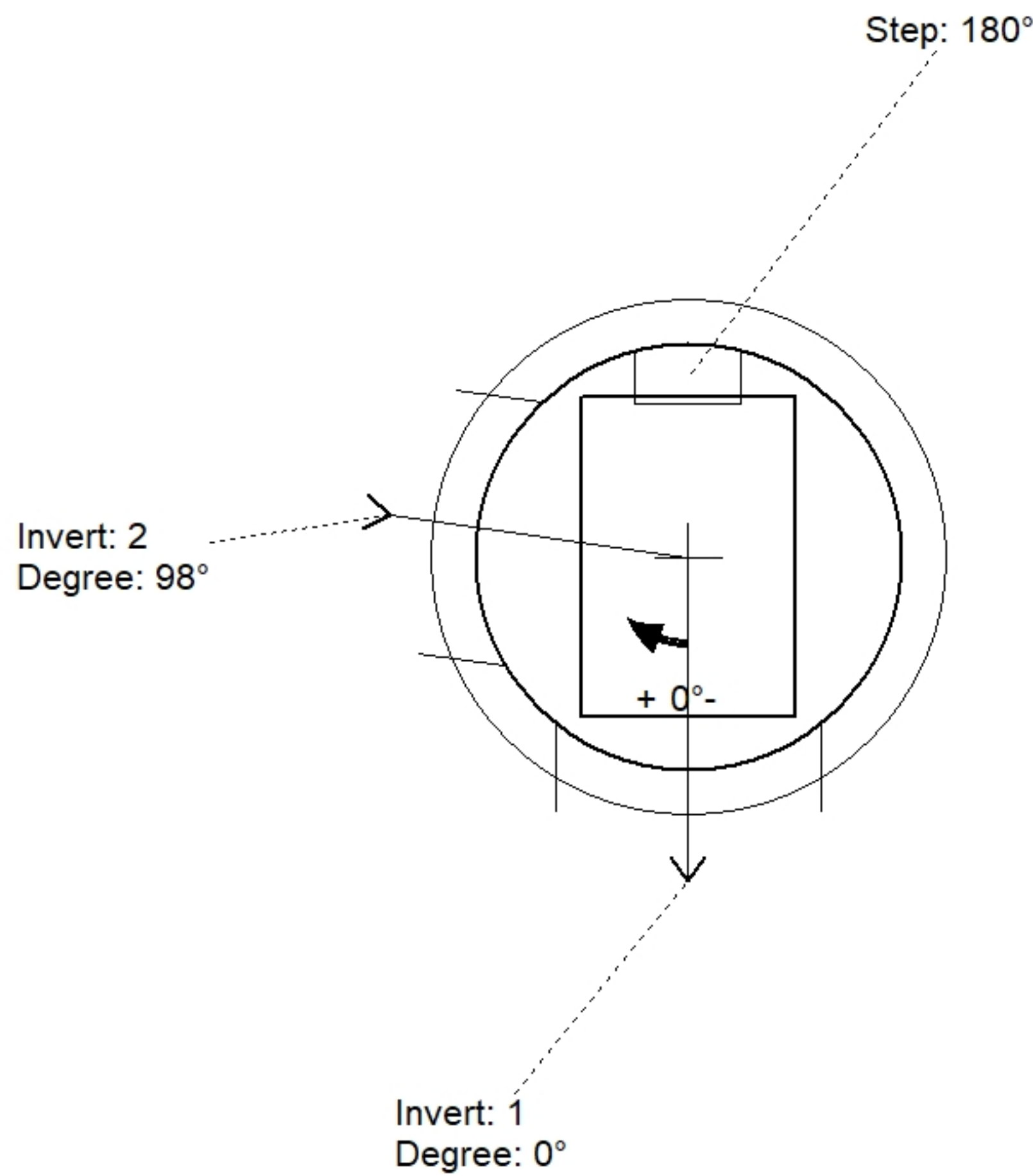
Structure ID: **CBI AA4**
 Spec: Storm Rim: 519.69' Sump: 1.9" Floor (Bot): 512.682'
 Type: STM.MH Invert: 513.34' Floor (Top): 513.182' Overall Height: 7'
 Size: 48" Rim to Invert: 6.35' Floor Height: 6" Slack: 0.1"

Structure Notes:

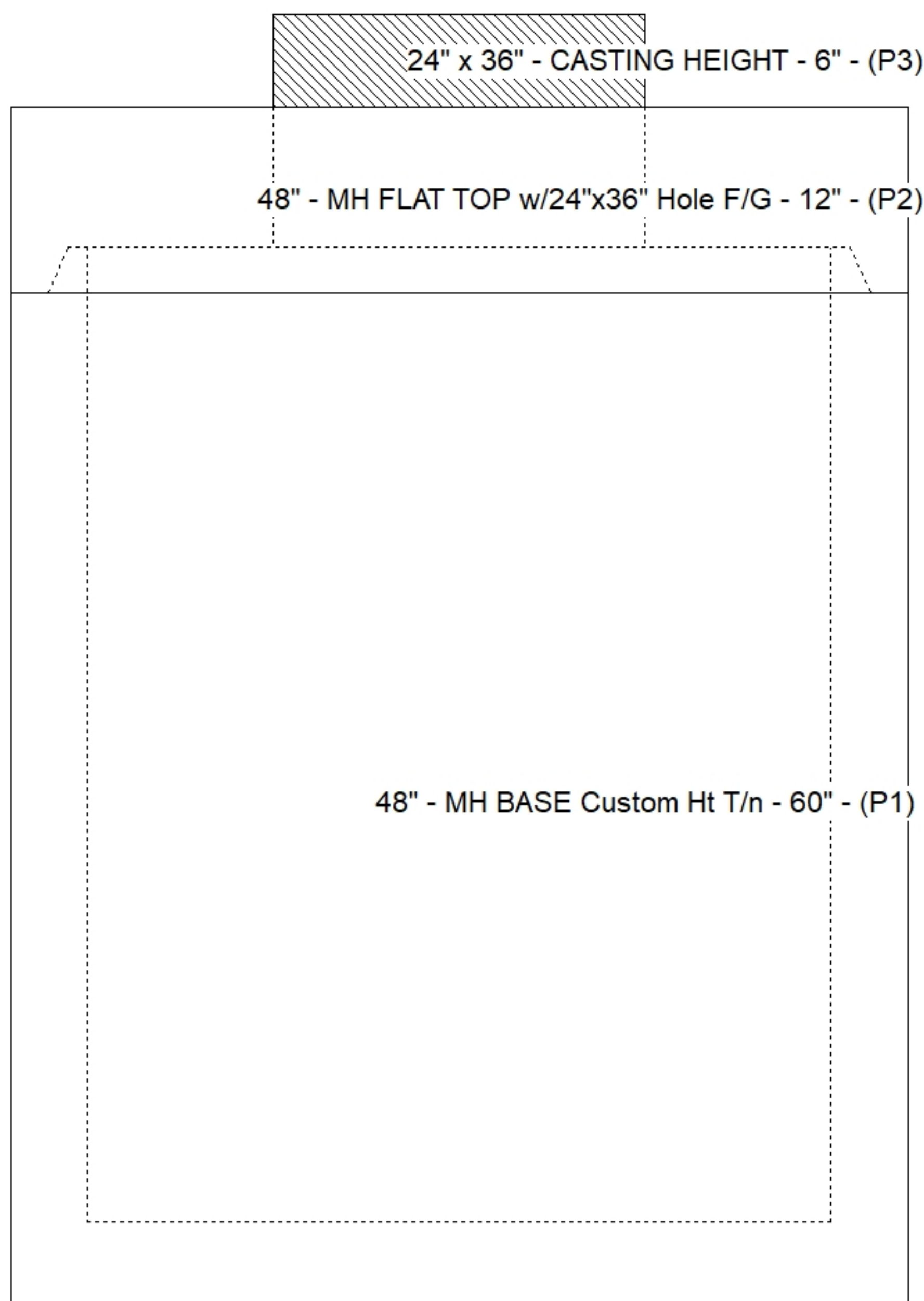
1. PER ASTM C478 SPECIFICATIONS.
2. CONCRETE = 4,000 PSI AT 28 DAYS.
3. REINFORCING PER ASTM A615 (GRADE 60).
 - TOP SLAB (As .62) #5 BARS AT 6" C.C.E.W..
 - RISER/WALLS (As .12)
 - FLOOR (As .31) #5 BARS AT 12" C.C.E.W.
4. HOE 525 PROVIDED BY ICAST

STRUCTURE SUMMARY:

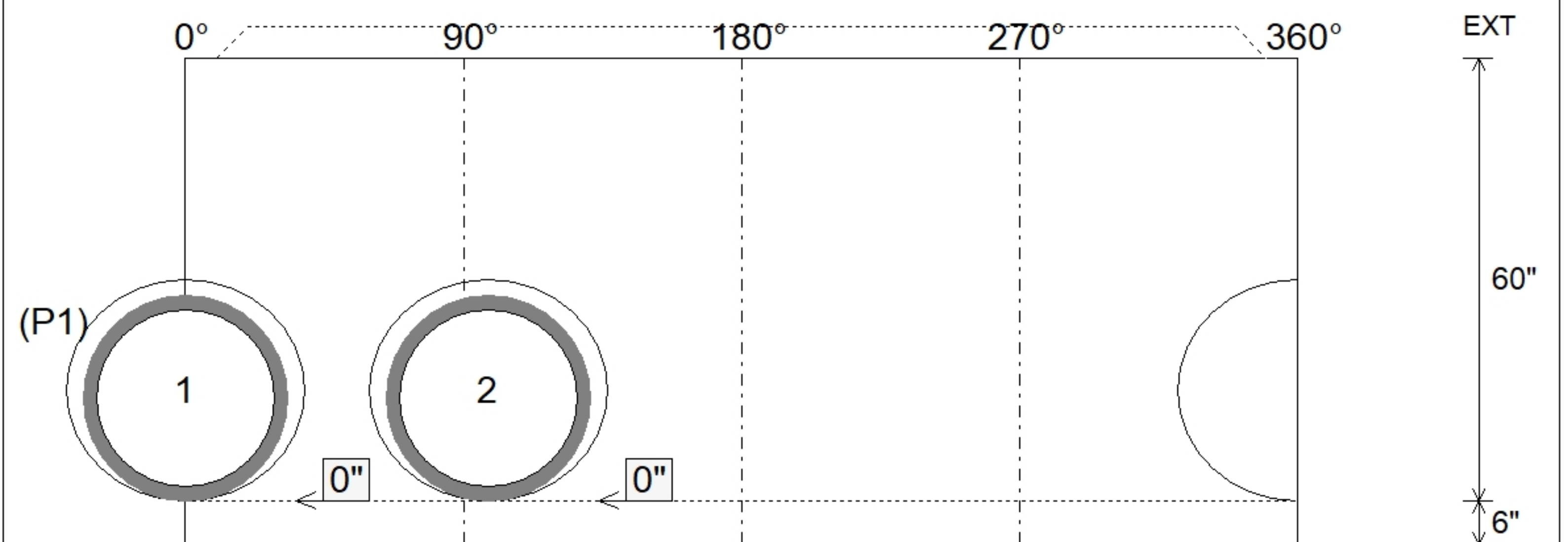
P3) 24" x 36" - CASTING HEIGHT - 6"	0 lb
P2) 48" - MH FLAT TOP w/24"x36" Hole F/G - 12"	1300 lb
P1) 48" - MH BASE Custom Ht T/n - 60"	4890 lb
1) CASTING - HOE 525 LV SET (F/G/H)	442 lb
1) 48" - SGL 1"x14.5' Butyl (2x)	0 lb
2) Hole - 30	0 lb
5) MH Step ML-10-TDS-NCR - 10"	0 lb
Structure Total:	6632 lb



Position	Elev	Angle	Pipe	Pipe OD	Hole	Connector	Up ()	Ref
Rim	519.69'							
Reducer								
Invert 1	513.34'	0°	24" HDPE	27.8"	30"	Hole 30	0"	P1
Invert 2	513.34'	98°	24" HDPE	27.8"	30"	Hole 30	0"	P1
Invert 3								
Invert 4								
Invert 5								
Invert 6								
Invert 7								
Invert 8								



Cast (Int. Dim.) - Interior Dimensions



Submittal Drawing
 12/15/2025 8:24:24 AM

SUBMITTAL
 APPROVED BY: