

Structure ID: CBI AA4

P1 MH048BA60

MH BASE Custom Ht T/n

P3) 24" x 36" - CASTING HEIGHT - 6" P2) 48" - MH FLAT TOP w/24"x36" Hole F/G - 12" P1) 48" - MH BASE Custom Ht T/n - 60" 1) CASTING - HOE 525 LV SET (F/G/H) 1) 48" - SGL 1"x14.5' Butyl (2x) 2) Hole - 30 5) MH Step ML-10-TDS-NCR - 10"	0 lb 1300 lb 4890 lb 442 lb 0 lb 0 lb 0 lb ----- 6632 lb	Structure Notes: 1. PER ASTM C478 SPECIFICATIONS. 2. CONCRETE = 4,000 PSI AT 28 DAYS. 3. REINFORCING PER ASTM A615 (GRADE 60). - TOP SLAB (As .62) #5 BARS AT 6" C.C.E.W.. - RISER/WALLS (As .12) - FLOOR (As .31) #5 BARS AT 12" C.C.E.W. 4. HOE 525 PROVIDED BY ICAST
---	--	---

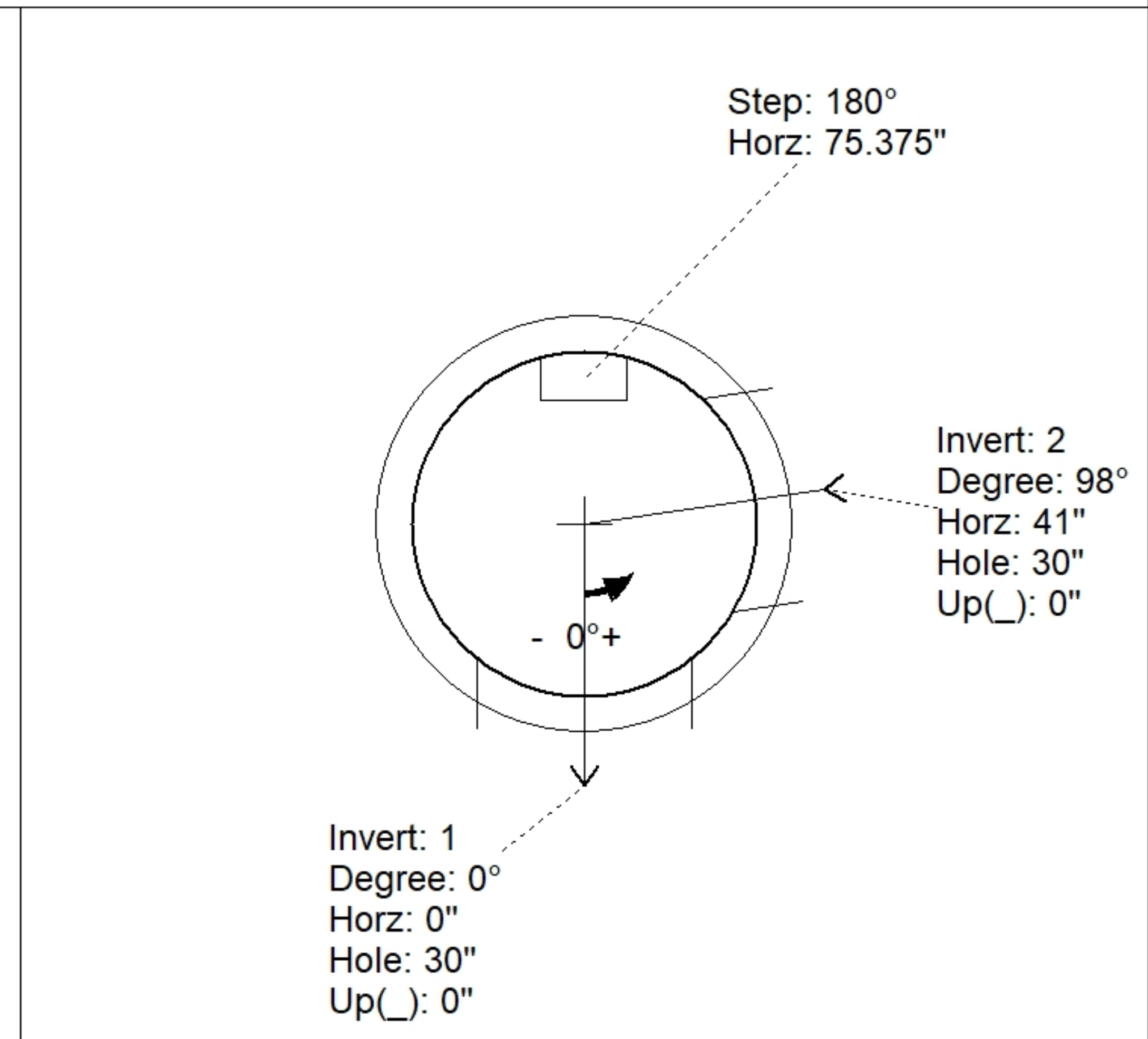
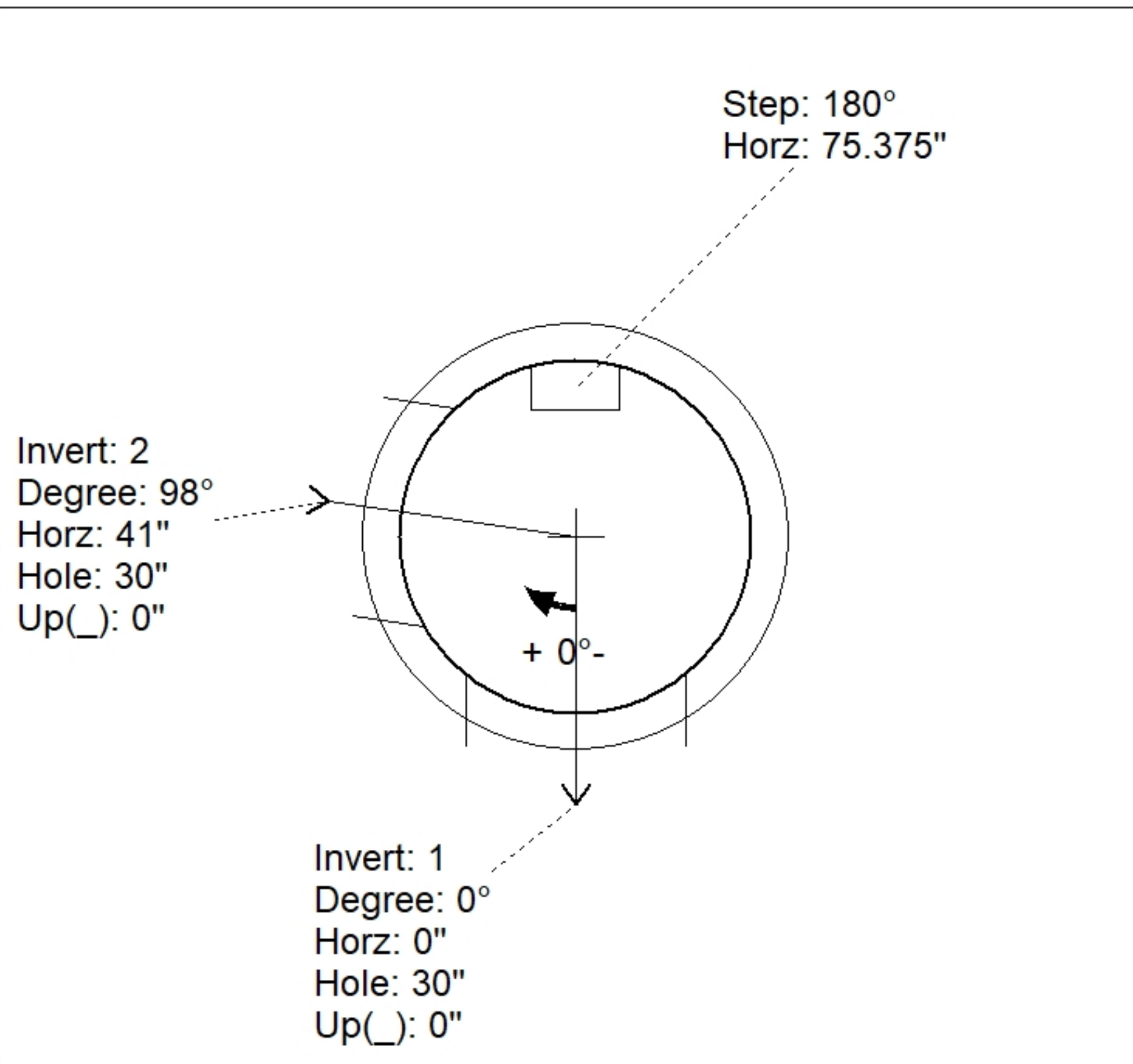
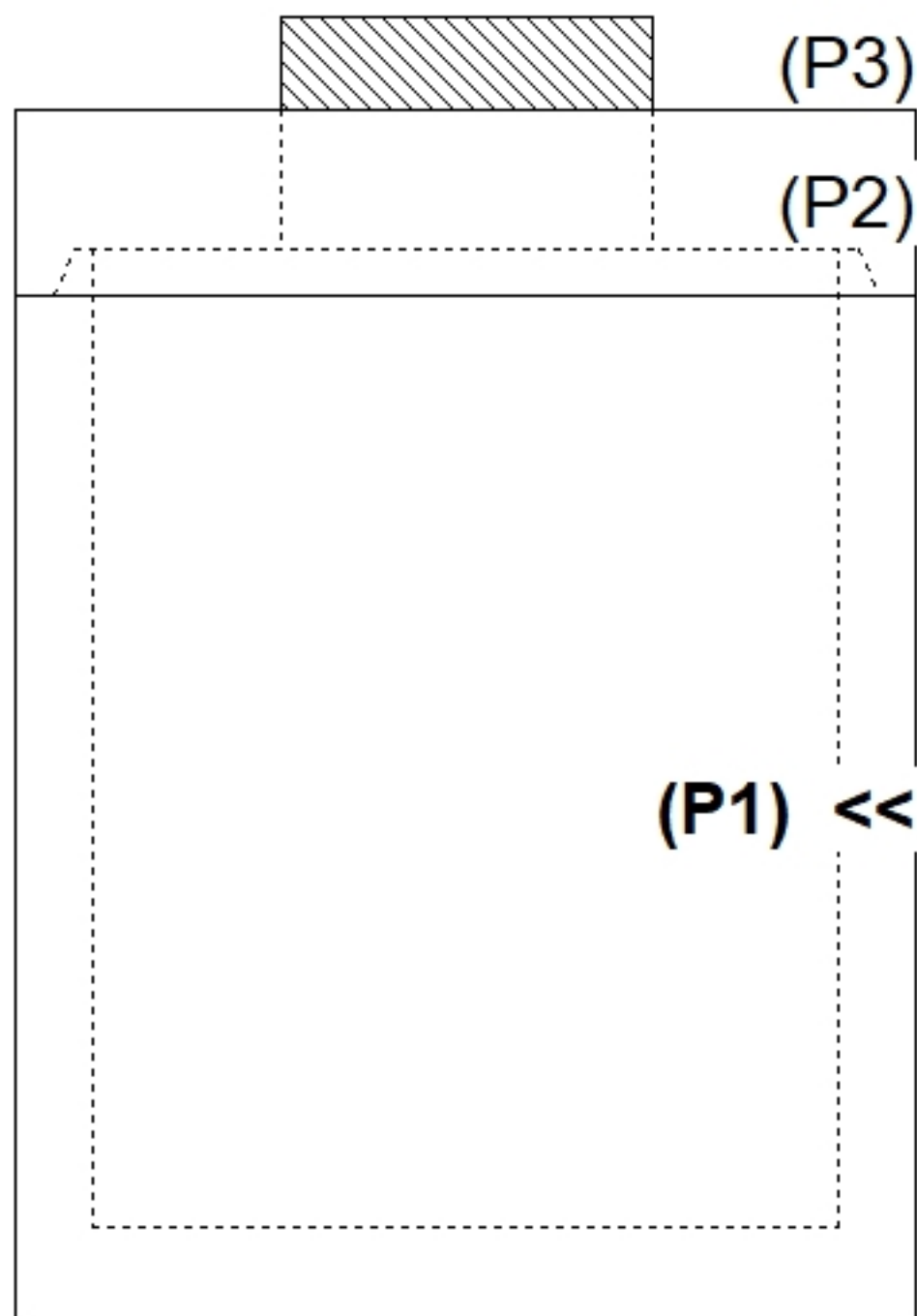
Structure Total: 6632 lb

Rim: 519.69' Rim to Invert: 6.35' Slack: 0.1" Sump: 1.9" Step Position: 180°

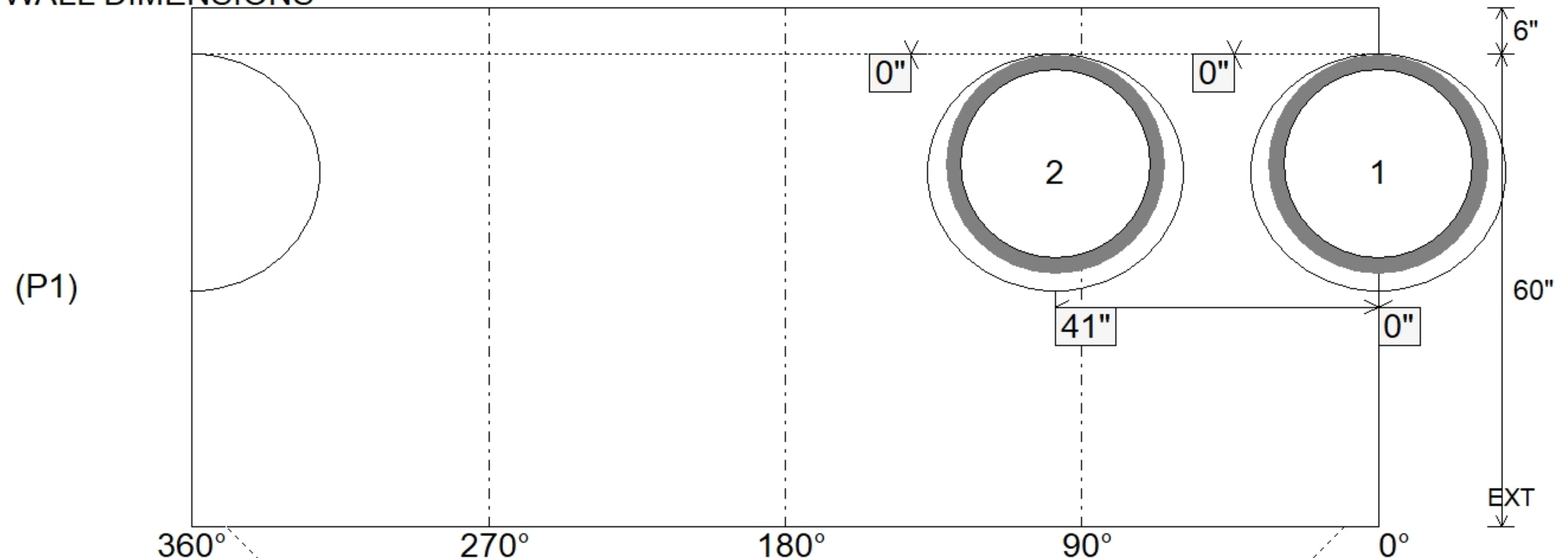
Position	Elev	Angle	Ext. (cw)	Pipe	Pipe OD	Connector	Hole	Horz Size	Up ()	Offset
Invert 1	513.34'	0°	0"	24" HDPE	27.8"	Hole 30	30"	32.406"	0"	0"
Invert 2	513.34'	98°	49.625"	24" HDPE	27.8"	Hole 30	30"	32.406"	0"	0"
Invert 3										
Invert 4										
Invert 5										
Invert 6										
Invert 7										
Invert 8										

RIGHT-SIDE UP VIEW (int. dimensions)

UPSIDE-DOWN VIEW (int. dimensions)



INSIDE WALL DIMENSIONS



Coating (Int):	Seam Up: Tongue	Wall Thickness: 5"	Height (Int): 60"
Coating (Ext):	Seam Dn: n/a	Floor Height: 6"	Height (Ext): 66"
		Weight (Net): 4890 lb	
		Volume (Net): 1.25cu.yd	