

**Structure ID: CBI AA3**

**P1 MH048BA42**

**MH BASE Custom Ht T/n**

P3) 24" x 36" - CASTING HEIGHT - 6" P2) 48" - MH FLAT TOP w/24"x36" Hole F/G - 12" P1) 48" - MH BASE Custom Ht T/n - 42" 1) CASTING - HOE 525 LV SET (F/G/H) 1) 48" - SGL 1"x14.5' Butyl (2x) 2) Hole - 30 3) MH Step ML-10-TDS-NCR - 10"	0 lb 1300 lb 3632 lb 442 lb 0 lb 0 lb 0 lb ----- Structure Total: 5374 lb
---	---

**Structure Notes:**

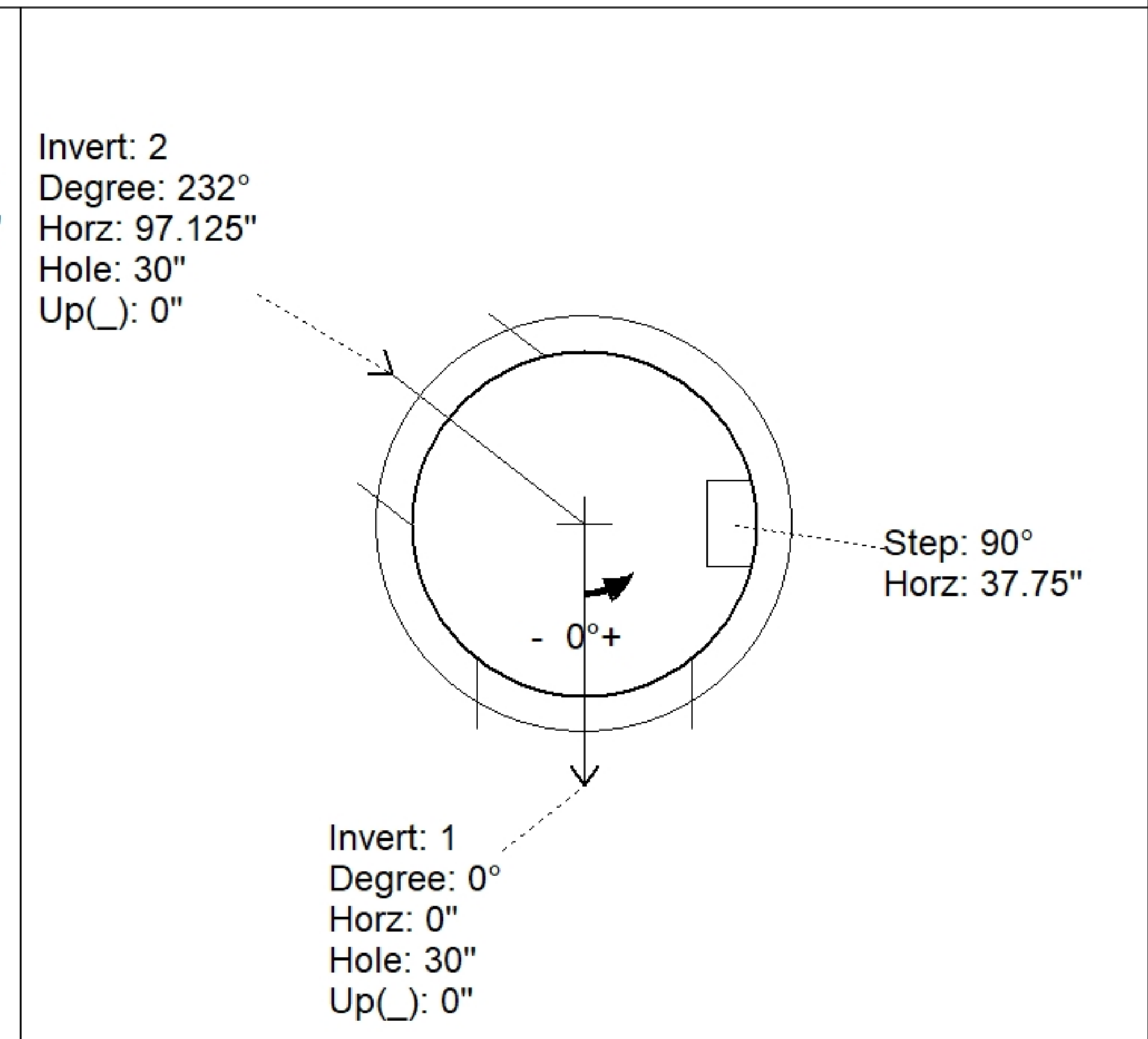
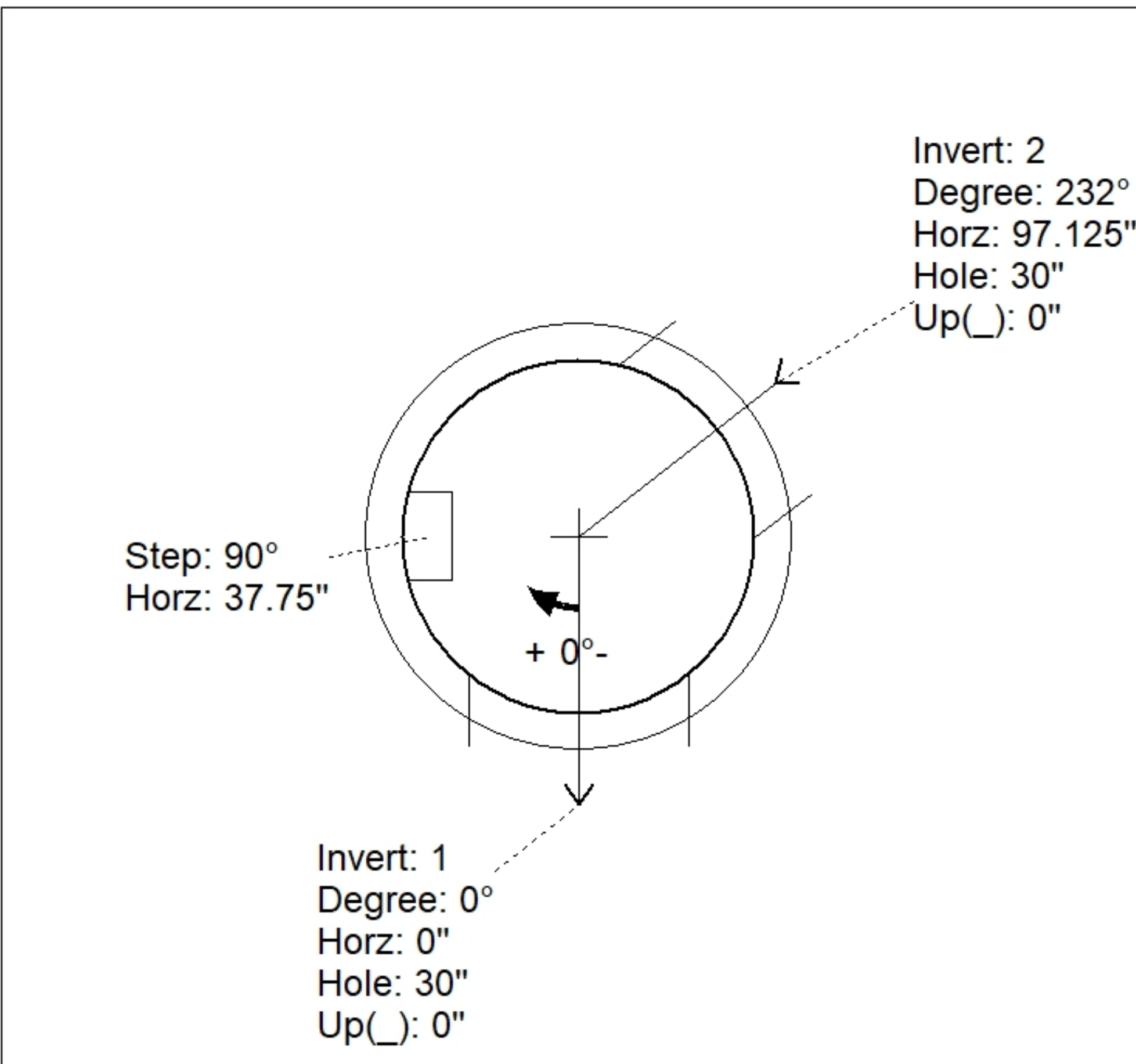
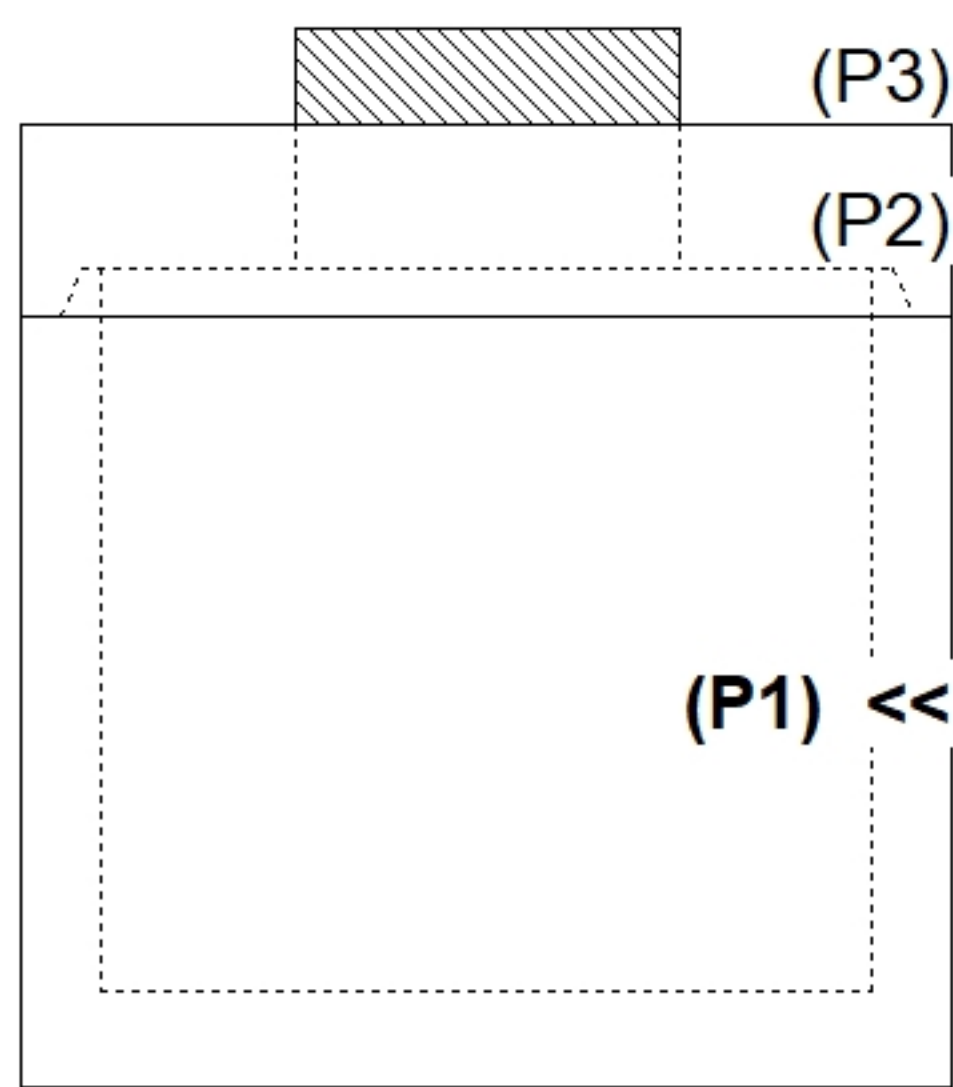
1. PER ASTM C478 SPECIFICATIONS.
2. CONCRETE = 4,000 PSI AT 28 DAYS.
3. REINFORCING PER ASTM A615 (GRADE 60).  
 - TOP SLAB (As .62) #5 BARS AT 6" C.C.E.W..  
 - RISER/WALLS (As .12)  
 - FLOOR (As .31) #5 BARS AT 12" C.C.E.W.
4. HOE 525 PROVIDED BY ICAST

Rim: 517.43'    Rim to Invert: 4.9'    Slack: 0.7"    Sump: 1.9"    Step Position: 90°

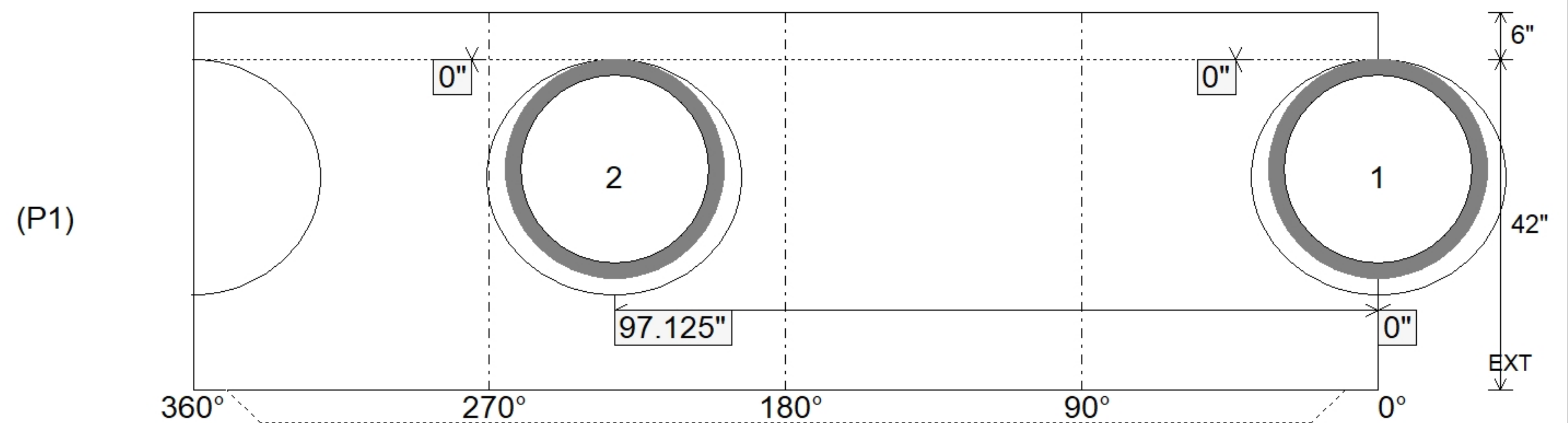
Position	Elev	Angle	Ext. (cw)	Pipe	Pipe OD	Connector	Hole	Horz Size	Up ( )	Offset
Invert 1	512.53'	0°	0"	24" HDPE	27.8"	Hole 30	30"	32.406"	0"	0"
Invert 2	512.53'	232°	117.375"	24" HDPE	27.8"	Hole 30	30"	32.406"	0"	0"
Invert 3										
Invert 4										
Invert 5										
Invert 6										
Invert 7										
Invert 8										

**RIGHT-SIDE UP VIEW (int. dimensions)**

**UPSIDE-DOWN VIEW (int. dimensions)**



**INSIDE WALL DIMENSIONS**



Coating (Int): Coating (Ext):	Seam Up: Tongue Seam Dn: n/a	Wall Thickness: 5" Floor Height: 6"	Height (Int): 42" Height (Ext): 48"	Weight (Net): 3632 lb Volume (Net): 0.93cu.yd
----------------------------------	---------------------------------	--	--	--