

Job Name: 25-2666 Residential Subdivision
Job Location: Hawesville, Ky
Contractor: Winwater Hartford KY Co.

PC: A.Chambers
 TECH: C.Russ
 Plant: 100



Structure ID: **CBI AA2**
 Spec: Storm
 Type: STM.MH
 Size: 48"

Rim: 515.32'
 Invert: 511.22'
 Rim to Invert: 4.1'

Sump: 1.9"
 Floor (Top): 511.062'
 Floor Height: 6"

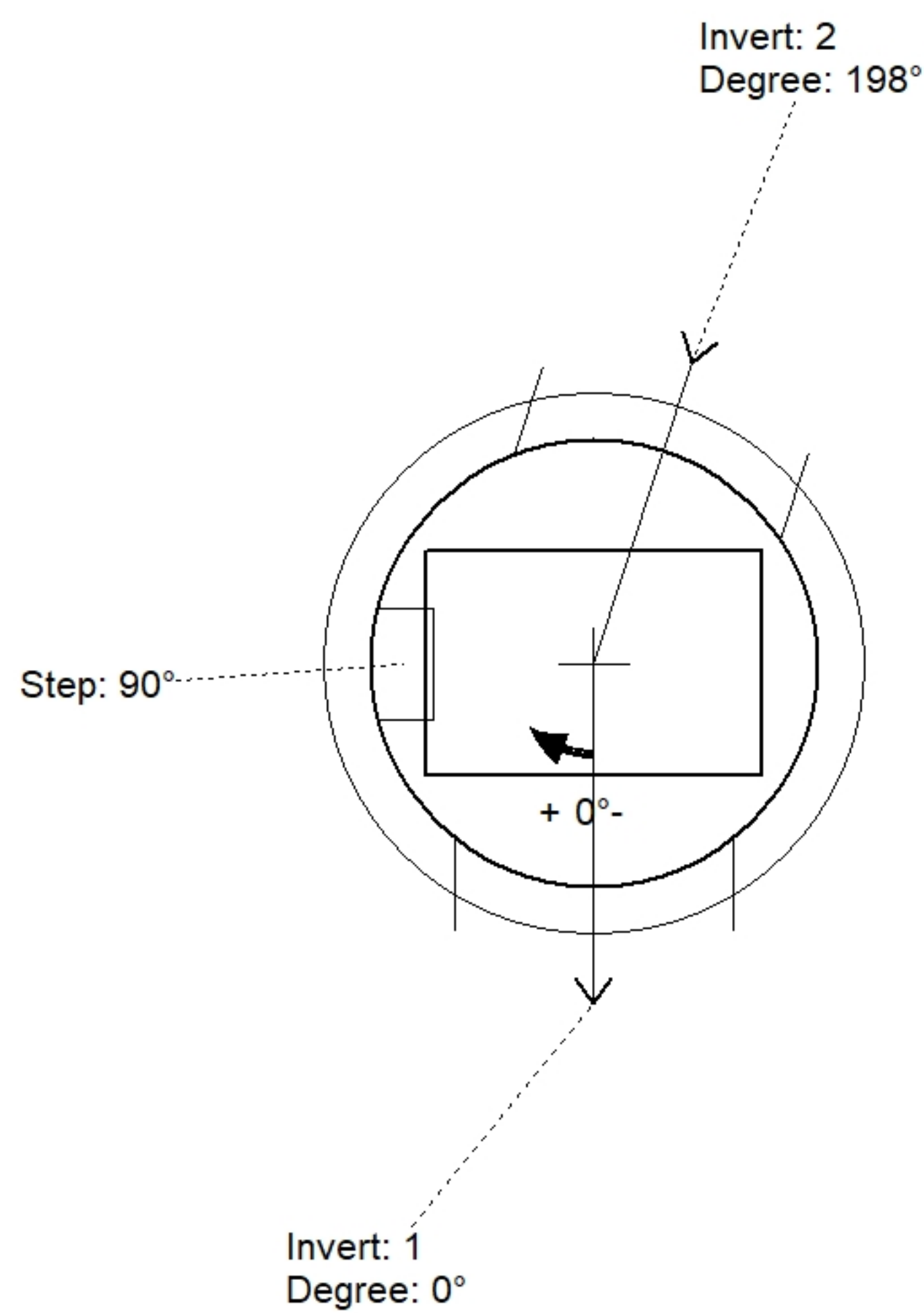
Floor (Bot): 510.562'
 Overall Height: 4.75'
 Slack: 0.1'

Structure Notes:

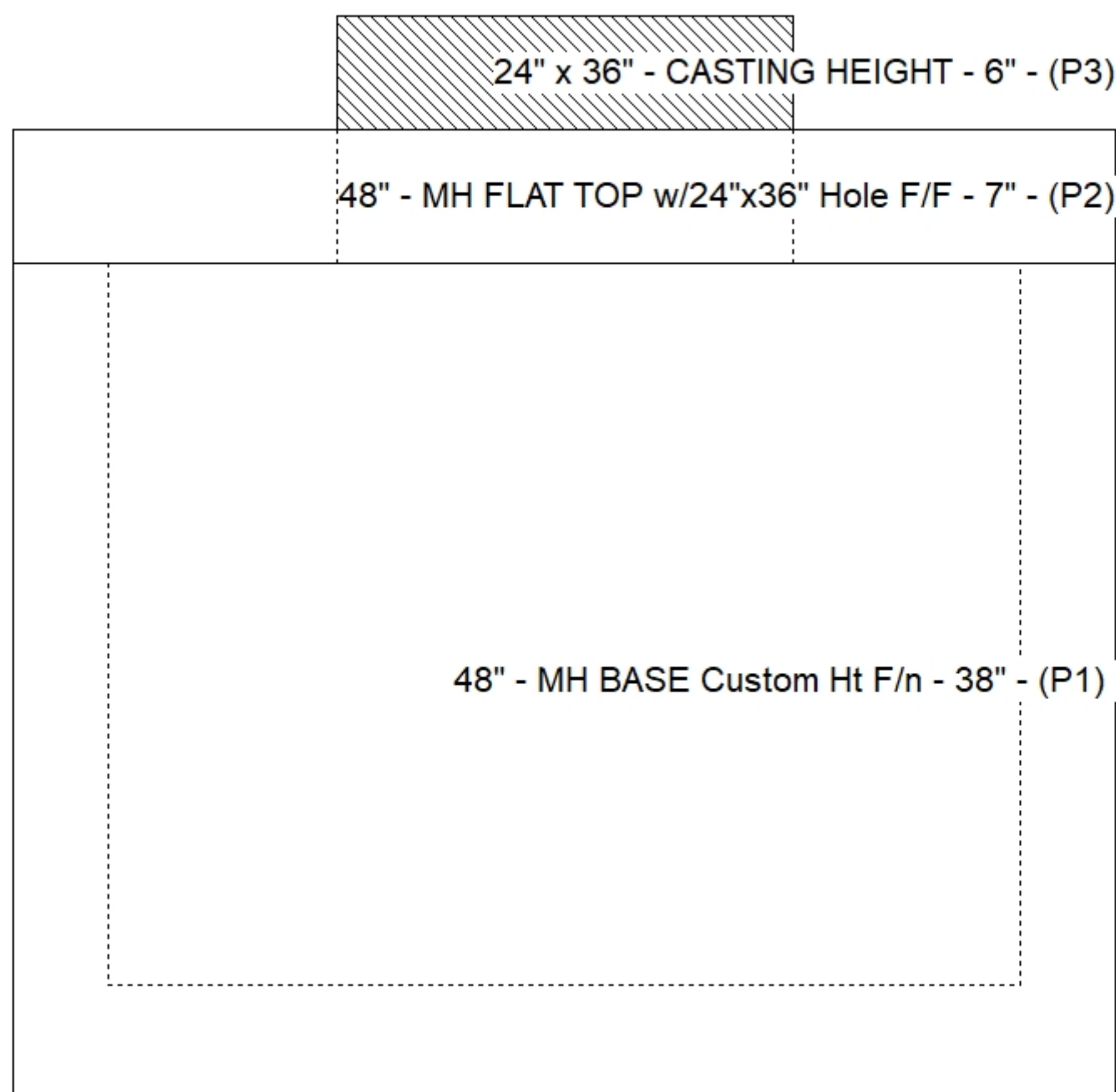
- PER ASTM C478 SPECIFICATIONS.
- CONCRETE = 4,000 PSI AT 28 DAYS.
- REINFORCING PER ASTM A615 (GRADE 60).
 - TOP SLAB (As .62) #5 BARS AT 6" C.C.E.W..
 - RISER/WALLS (As .12)
 - FLOOR (As .31) #5 BARS AT 12" C.C.E.W.
- HOE 525 PROVIDED BY ICAST

STRUCTURE SUMMARY:

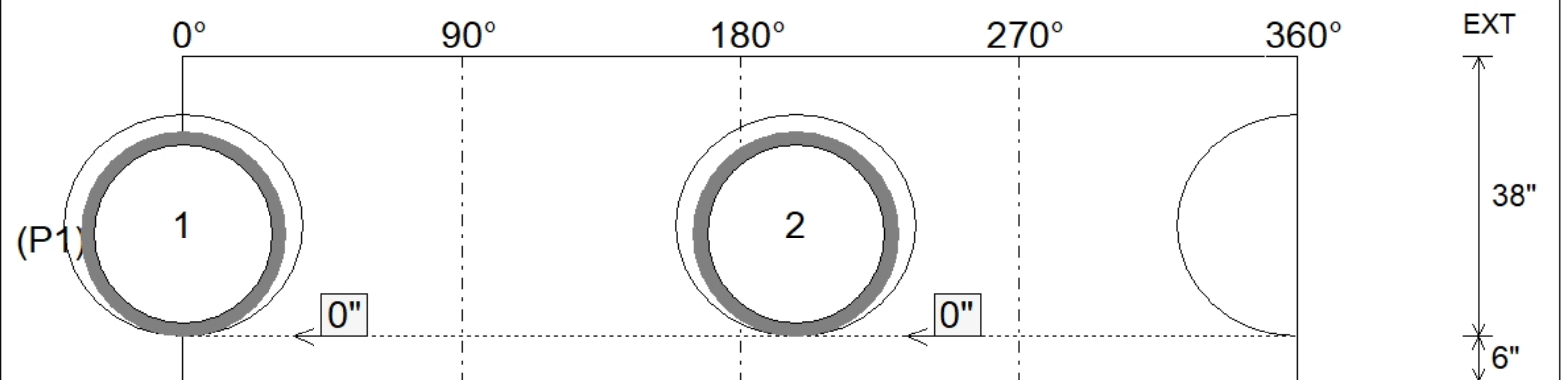
P3) 24" x 36" - CASTING HEIGHT - 6"	0 lb
P2) 48" - MH FLAT TOP w/24"x36" Hole F/F - 7"	1044 lb
P1) 48" - MH BASE Custom Ht F/n - 38"	3353 lb
1) CASTING - HOE 525 LV SET (F/G/H)	442 lb
1) 48" - SGL 1"x14.5' Butyl (2x)	0 lb
2) Hole - 30	0 lb
3) MH Step ML-10-TDS-NCR - 10"	0 lb
Structure Total:	4839 lb



Position	Elev	Angle	Pipe	Pipe OD	Hole	Connector	Up ()	Ref
Rim	515.32'							
Reducer								
Invert 1	511.22'	0°	24" HDPE	27.8"	30"	Hole 30	0"	P1
Invert 2	511.22'	198°	24" HDPE	27.8"	30"	Hole 30	0"	P1
Invert 3								
Invert 4								
Invert 5								
Invert 6								
Invert 7								
Invert 8								



Cast (Int. Dim.) - Interior Dimensions



Submittal Drawing
 12/15/2025 8:24:20 AM

SUBMITTAL
 APPROVED BY: