

Job Name: 25-2649B - The Laurel Assisted Living Facility (Sanitary)
 Job Location: Bowling Green, KY
 Contractor: Infinity Pipeline, Inc.

Plant: Beaver Dam, KY

Tech: K. Cardwell

1/21/2026 11:01:15 AM

PC: E. Bradley



Structure ID: MH-10

P1 MH048BA24

MH BASE T/n

P4) 24" - CASTING HEIGHT - 7"	0 lb
P3) 24" - GRADE RING F/F - 4"	270 lb
P2) 48" - ECC CONE w/ 24" HOLE F/G - 30"	2050 lb
P1) 48" - MH BASE T/n - 24"	2912 lb
1) 48" - MH INVERT CHANNEL - FULL HEIGHT	1440 lb
1) JOINT WRAP - 12" WD x 048" MAC WRAP	0 lb
1) CASTING - HOE MC-375 F/C Sanitary	271 lb
1) 48" - Conseal CS-102 1.00" (Double)	0 lb
3) A-Lok - 0285	3 lb
4) MH Step ML-10-TDS-NCR - 10"	0 lb
Structure Total:	6946 lb

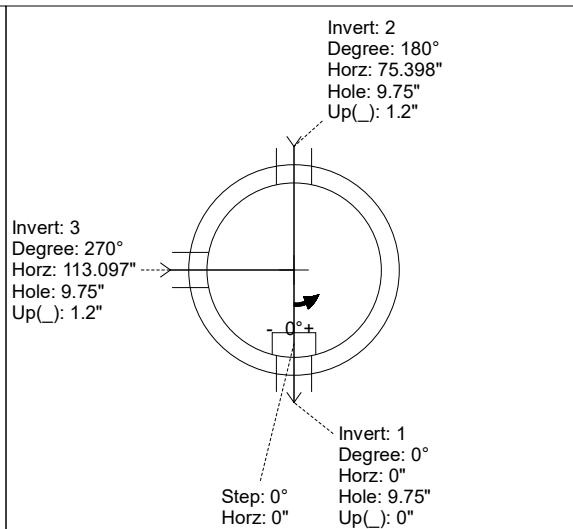
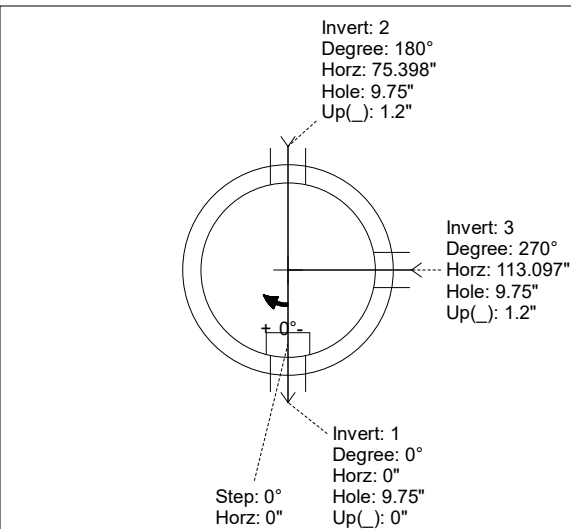
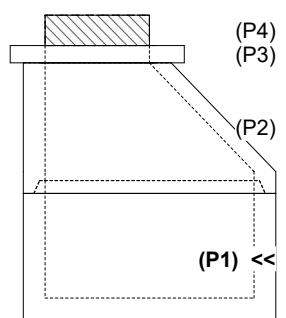
Structure Notes:
 STATION: 6+19.32
 1. PER WCWD & ASTM C-478 SPECS
 2. CONCRETE: 4,500 PSI AT 28 DAYS
 3. REINFORCEMENT: PER ASTM A615
 4. INVERT CHANNEL REQUIRED
 5. STEPS AT 0 DEGREES
 6. HOE MC-375 FRAME & COVER "SANITARY" SUPPLIED BY ICAST

Rim: 551.14' Rim to Invert: 5.48' Slack: 1.635" Sump: 0.875" Step Position: 0°

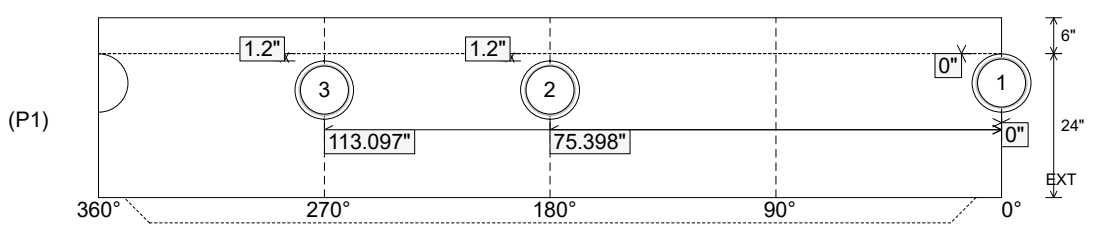
Position	Elev	Angle	Ext. (cw)	Pipe	Pipe OD	Connector	Hole	Horz Size	Up ()	Offset
Invert 1	545.66'	0°	0"	8" PVC SDR35	8.5"	A-Lok 0285	9.75"	9.818"	0"	0"
Invert 2	545.76'	180°	91.106"	8" PVC SDR35	8.5"	A-Lok 0285	9.75"	9.818"	1.2"	0"
Invert 3	545.76'	270°	136.659"	8" PVC SDR35	8.5"	A-Lok 0285	9.75"	9.818"	1.2"	0"
Invert 4										
Invert 5										
Invert 6										
Invert 7										
Invert 8										

RIGHT-SIDE UP VIEW (int. dimensions)

UPSIDE-DOWN VIEW (int. dimensions)



INSIDE WALL DIMENSIONS



Coating (Int): Coating (Ext):	Seam Up: Tongue Seam Dn: n/a	Wall Thickness: 5" Floor Height: 6"	Height (Int): 24" Height (Ext): 30"	Weight (Net): 2912 lb Volume (Net): 0.74cu.yd
----------------------------------	---------------------------------	----------------------------------------	----------------------------------------	--------------------------------------------------

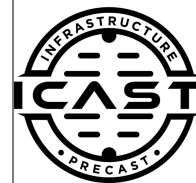
Job Name: 25-2649B - The Laurel Assisted Living Facility (Sanitary)
 Job Location: Bowling Green, KY
 Contractor: Infinity Pipeline, Inc.

Plant: Beaver Dam, KY

Tech: K. Cardwell

1/21/2026 11:01:15 AM

PC: E. Bradley



Structure ID: MH-10

P1 MH048BA24

MH BASE T/n

- P4) 24" - CASTING HEIGHT - 7"
- P3) 24" - GRADE RING F/F - 4"
- P2) 48" - ECC CONE w/ 24" HOLE F/G - 30"
- P1) 48" - MH BASE T/n - 24"
- 1) 48" - MH INVERT CHANNEL - FULL HEIGHT
- 1) JOINT WRAP - 12" WD x 048" MAC WRAP
- 1) CASTING - HOE MC-375 F/C Sanitary
- 1) 48" - Conseal CS-102 1.00" (Double)
- 3) A-Lok - 0285
- 4) MH Step ML-10-TDS-NCR - 10"

0 lb
 270 lb
 2050 lb
 2912 lb
 1440 lb
 0 lb
 271 lb
 0 lb
 3 lb
 0 lb

 Structure Total: 6946 lb

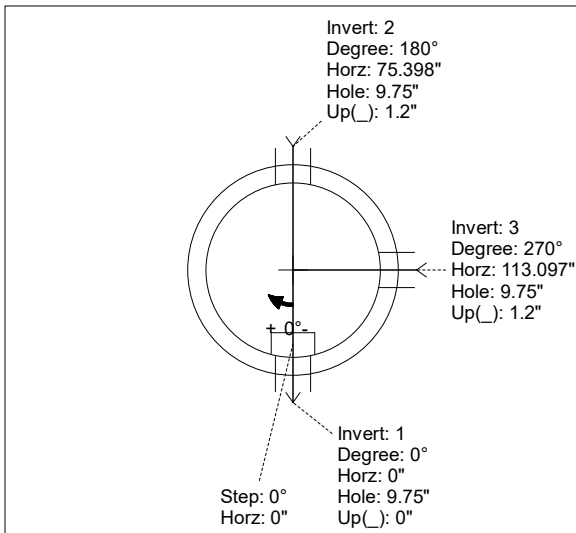
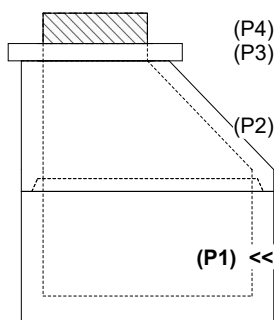
Structure Notes:
 STATION: 6+19.32
 1. PER WCWD & ASTM C-478 SPECS
 2. CONCRETE: 4,500 PSI AT 28 DAYS
 3. REINFORCEMENT: PER ASTM A615
 4. INVERT CHANNEL REQUIRED
 5. STEPS AT 0 DEGREES
 6. HOE MC-375 FRAME & COVER "SANITARY" SUPPLIED BY ICAST

Rim: 551.14' Rim to Invert: 5.48' Slack: 1.635" Sump: 0.875" Step Position: 0°

Position	Elev	Angle	Ext. (cw)	Pipe	Pipe OD	Connector	Hole	Horz Size	Up (")	Offset
Invert 1	545.66'	0°	0"	8" PVC SDR35	8.5"	A-Lok 0285	9.75"	9.818"	0"	0"
Invert 2	545.76'	180°	91.106"	8" PVC SDR35	8.5"	A-Lok 0285	9.75"	9.818"	1.2"	0"
Invert 3	545.76'	270°	136.659"	8" PVC SDR35	8.5"	A-Lok 0285	9.75"	9.818"	1.2"	0"
Invert 4										
Invert 5										
Invert 6										
Invert 7										
Invert 8										

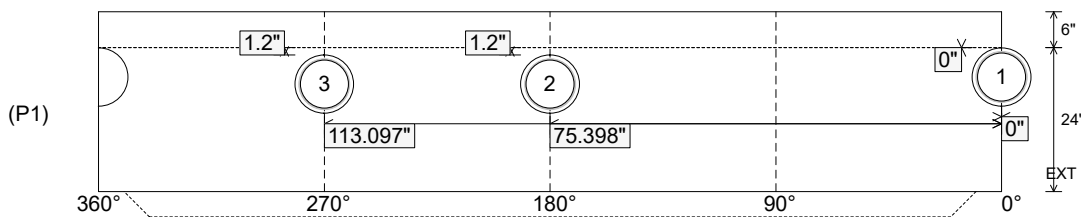
RIGHT-SIDE UP VIEW (int. dimensions)

UPSIDE-DOWN VIEW (int. dimensions)



INVERT CHANNEL DRAWING

INSIDE WALL DIMENSIONS



Coating (Int):
 Coating (Ext):

Seam Up: Tongue
 Seam Dn: n/a

Wall Thickness: 5"
 Floor Height: 6"

Height (Int): 24"
 Height (Ext): 30"

Weight (Net): 2912 lb
 Volume (Net): 0.74cu.yd