

Job Name: 25-2649 - The Laurel Assisted Living Facility
Job Location: Bowling Green, KY
Contractor: Infinity Pipeline, Inc.

PC: E. Bradley
 TECH: K. Cardwell
 Plant: Beaver Dam, KY



Structure ID: **LS-7**
 Spec: Storm
 Type: STM.MH
 Size: 48"

Rim: 550.14'
 Invert: 544.87'
 Rim to Invert: 5.27'

Sump: 1.9"
 Floor (Top): 544.712'
 Floor Height: 6"

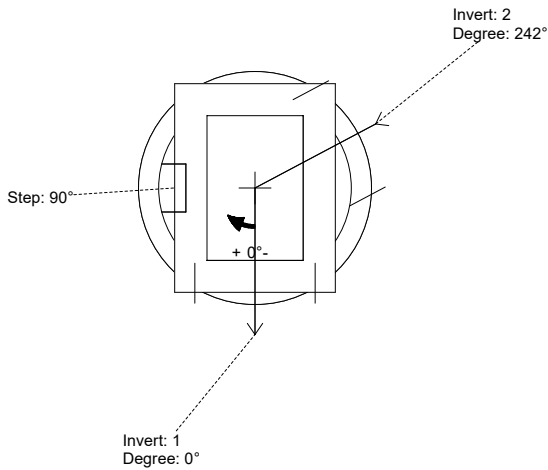
Floor (Bot): 544.212'
 Overall Height: 5.75'
 Slack: 2.14"

Structure Notes:

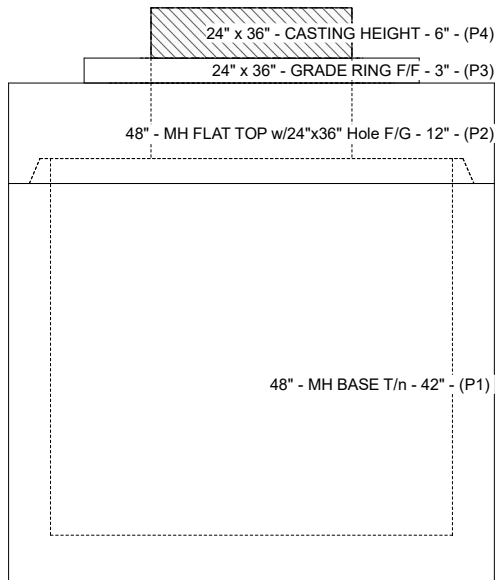
- PER ASTM C-478 SPECS
- CONCRETE: 4,500 PSI AT 28 DAYS
- REINFORCEMENT:
 - FLAT LID: #4 BAR @ 10" C.C. E.W. (GRADE 60)
 - BASE: PER ASTM A615
- STEPS AT 90 DEGREES
- HOE 470 FRAME, L-VANE GRATE, & CURB HOOD SUPPLIED BY ICAST

STRUCTURE SUMMARY:

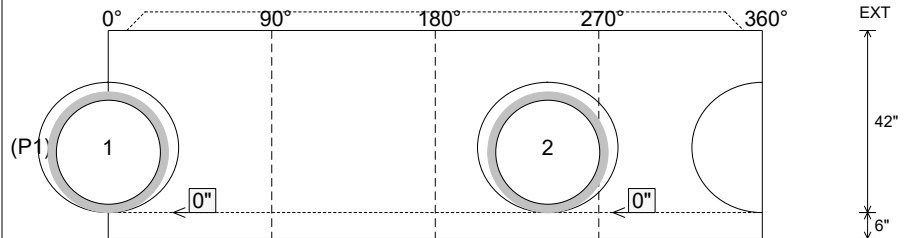
P4) 24" x 36" - CASTING HEIGHT - 6"	0 lb
P3) 24" x 36" - GRADE RING F/F - 3"	306 lb
P2) 48" - MH FLAT TOP w/24"x36" Hole F/G - 12"	1300 lb
P1) 48" - MH BASE T/n - 42"	3632 lb
1) CASTING - HOE 470 SET LV (F/G/H)	394 lb
1) 48" - Conseal CS-102 1.00"	0 lb
2) 24" x 36" - Conseal CS-102 1.00"	0 lb
2) Hole - 30	0 lb
3) MH Step ML-10-TDS-NCR - 10"	0 lb
Structure Total:	5632 lb



Position	Elev	Angle	Pipe	Pipe OD	Hole	Connector	Up ()	Ref
Rim	550.14'							
Reducer								
Invert 1	544.87'	0°	24" HDPE	27.8"	30"	Hole 30	0"	P1
Invert 2	544.87'	242°	24" HDPE	27.8"	30"	Hole 30	0"	P1
Invert 3								
Invert 4								
Invert 5								
Invert 6								
Invert 7								
Invert 8								



Cast (Int. Dim.) - Interior Dimensions



Submittal Drawing
 10/24/2025 6:36:03 AM

SUBMITTAL
 APPROVED BY: