

Job Name: 25-2649 - The Laurel Assisted Living Facility  
 Job Location: Bowling Green, KY  
 Contractor: Infinity Pipeline, Inc.

Plant: Beaver Dam, KY  
 10/24/2025 7:29:09 AM

Tech: K. Cardwell  
 PC: E. Bradley



**Structure ID: LS-5**

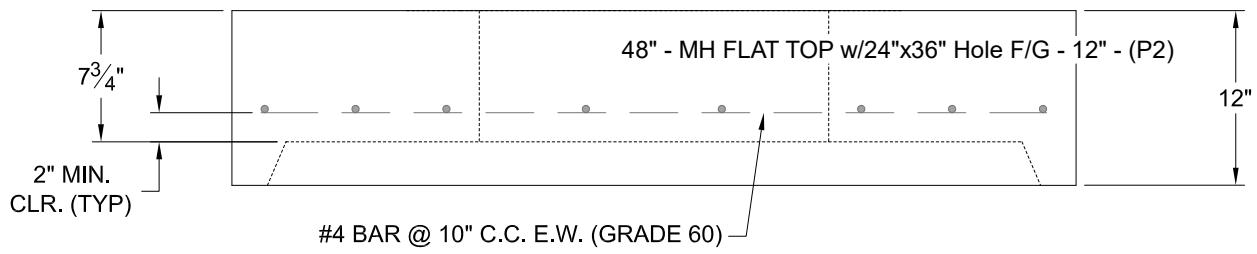
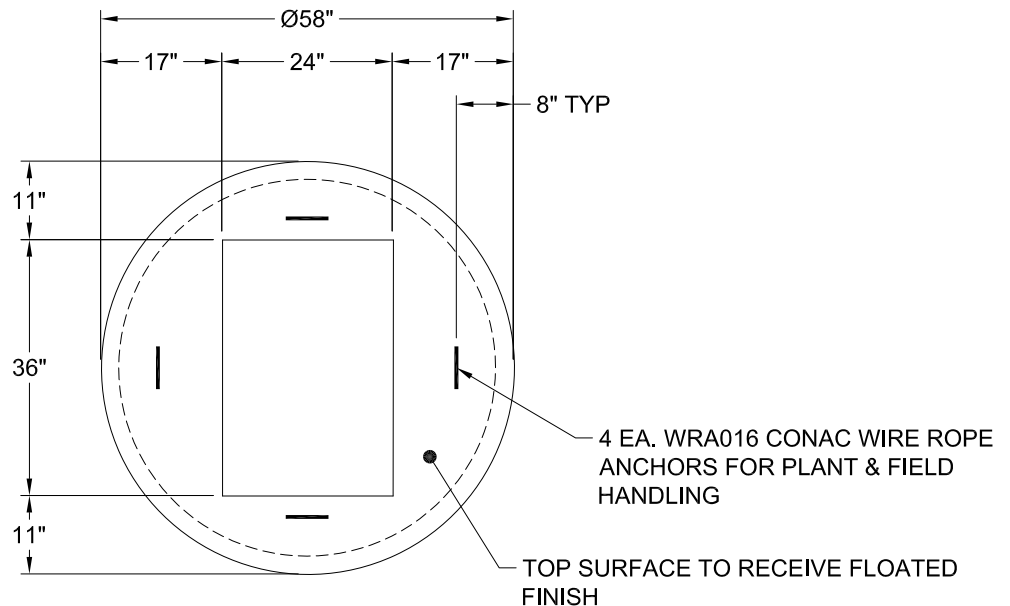
**P2 MH048LD12-24X36RECT**

**MH FLAT TOP w/24"x36" Hole F/G**

- P3) 24" x 36" - CASTING HEIGHT - 6"
- P2) 48" - MH FLAT TOP w/24"x36" Hole F/G - 12"
- P1) 48" - MH BASE Custom Ht T/n - 67"
- 1) CASTING - HOE 470 SET LV (F/G/H)
- 1) 48" - Conseal CS-102 1.00"
- 1) 24" x 36" - Conseal CS-102 1.00"
- 2) Hole - 30
- 1) Hole - 16
- 5) MH Step ML-10-TDS-NCR - 10"

0 lb  
 1300 lb  
 5293 lb  
 394 lb  
 0 lb  
 0 lb  
 0 lb  
 0 lb  
 0 lb  
 0 lb  
 Structure Total: 6987 lb

- Structure Notes:**
1. PER ASTM C-478 SPECS
  2. CONCRETE: 4,500 PSI AT 28 DAYS
  3. REINFORCEMENT: #4 BAR @ 10" C.C. E.W. (GRADE 60) - 2" MIN. REBAR CLEARANCE (TYP)
  4. STEPS AT 290 DEGREES
  5. HOE 470 FRAME, L-VANE GRATE, & CURB HOOD SUPPLIED BY ICAST
  6. LIFTERS: 4 EA. WRA016 CONAC WIRE ROPE ANCHORS FOR PLANT & FIELD HANDLING



|                                  |                                  |                    |                   |  |
|----------------------------------|----------------------------------|--------------------|-------------------|--|
| Coating (Int):<br>Coating (Ext): | Seam Up: Flat<br>Seam Dn: Groove | Wall Thickness: 5" | Height (Ext): 12" | Weight (Net): 1300 lb<br>Volume (Net): 0.46cu.yd |
|----------------------------------|----------------------------------|--------------------|-------------------|--|