

Job Name: 25-2649 - The Laurel Assisted Living Facility
Job Location: Bowling Green, KY
Contractor: Infinity Pipeline, Inc.

PC: E. Bradley
 TECH: K. Cardwell
 Plant: Beaver Dam, KY



Structure ID: LS-28

Spec: Storm
 Type: STM.MH (Recessed pipe)
 Size: 48"

Rim: 552.58'
 Invert: 546.74'
 Rim to Invert: 5.84'

Sump: 0"
 Floor (Top): 546.74'
 Floor Height: 6"

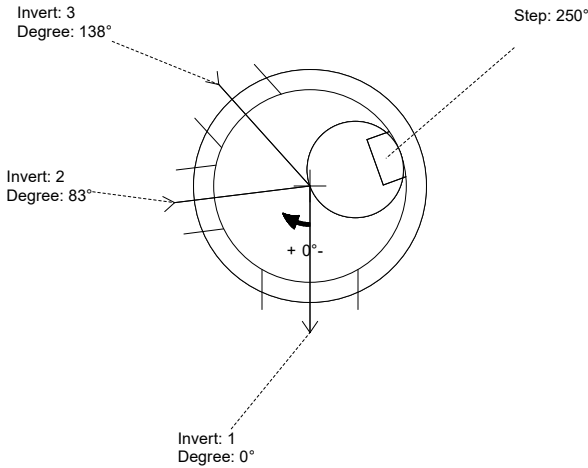
Floor (Bot): 546.24'
 Overall Height: 6.167'
 Slack: 2.08"

Structure Notes:

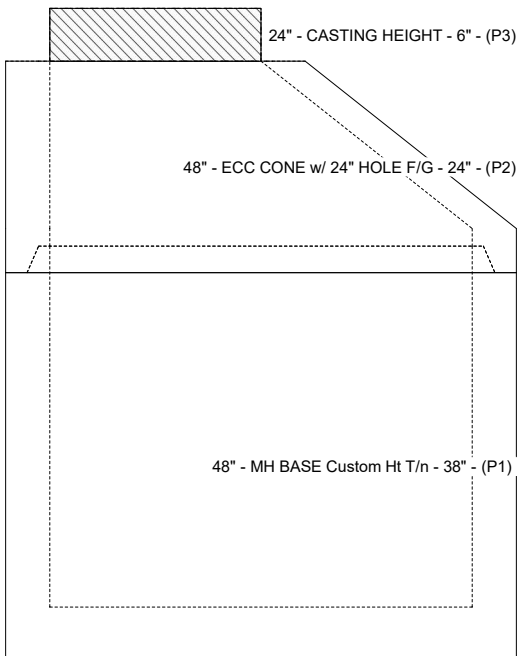
1. PER ASTM C-478 SPECS
2. CONCRETE: 4,500 PSI AT 28 DAYS
3. REINFORCEMENT: PER ASTM A615
4. STEPS AT 250 DEGREES
5. HOE MC-420 FRAME & COVER "STORM" SUPPLIED BY ICAST

STRUCTURE SUMMARY:

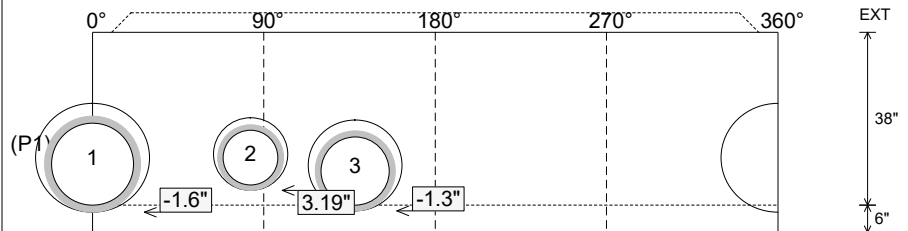
- P3) 24" - CASTING HEIGHT - 6" 0 lb
- P2) 48" - ECC CONE w/ 24" HOLE F/G - 24" 1550 lb
- P1) 48" - MH BASE Custom Ht T/n - 38" 3567 lb
- 1) CASTING - HOE MC-420 F/C Storm 340 lb
- 1) 48" - Conseal CS-202 1.00" 0 lb
- 1) Hole - 24 0 lb
- 1) Hole - 16 0 lb
- 1) Hole - 20 0 lb
- 5) MH Step ML-10-TDS-NCR - 10" 0 lb
- Structure Total: 5457 lb**



Position	Elev	Angle	Pipe	Pipe OD	Hole	Connector	Up (")	Ref
Rim	552.58'							
Reducer								
Invert 1	546.74'	0°	18" HDPE	21.2"	24"	Hole 24	-1.6"	P1
Invert 2	547.11'	83°	12" HDPE	14.5"	16"	Hole 16	3.19"	P1
Invert 3	546.74'	138°	15" HDPE	17.6"	20"	Hole 20	-1.3"	P1
Invert 4								
Invert 5								
Invert 6								
Invert 7								
Invert 8								



Cast (Int. Dim.) - Interior Dimensions



Submittal Drawing
 10/24/2025 6:36:08 AM

SUBMITTAL
 APPROVED BY: