

Job Name: 25-2649 - The Laurel Assisted Living Facility
Job Location: Bowling Green, KY
Contractor: Infinity Pipeline, Inc.

PC: E. Bradley
 TECH: K. Cardwell
 Plant: Beaver Dam, KY



Structure ID: **LS-25**

Spec: Storm
 Type: BX 8inW, 8inF
 Size: 24" x 36"

Rim: 550.44'
 Invert: 547.25'
 Rim to Invert: 3.19'

Sump: 0"
 Floor (Top): 547.25'
 Floor Height: 8"

Floor (Bot): 546.583'
 Overall Height: 3.667'
 Slack: 2.28"

Structure Notes:

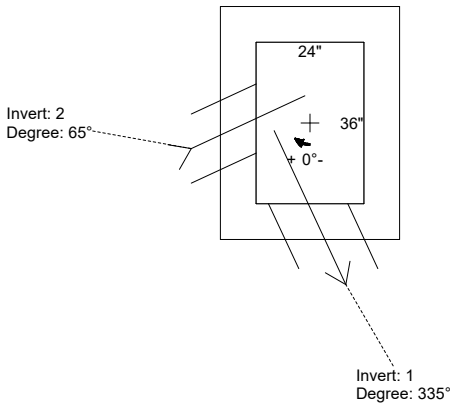
1. PER ASTM C-913 SPECS
2. CONCRETE: 4,500 PSI AT 28 DAYS
3. REINFORCEMENT: #5 BAR @ 12" C.C. E.W. (GRADE 60)
4. HOE 470 FRAME, L-VANE GRATE, & CURB HOOD SUPPLIED BY ICAST

STRUCTURE SUMMARY:

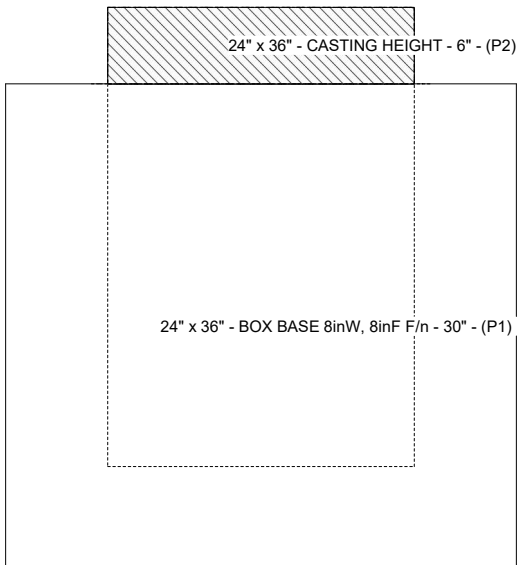
- P2) 24" x 36" - CASTING HEIGHT - 6"
- P1) 24" x 36" - BOX BASE 8inW, 8inF F/n - 30"
- 1) CASTING - HOE 470 SET LV (F/G/H)
- 1) 24" x 36" - Conseal CS-102 1.00"
- 1) Hole - 16
- 1) Hole - 14

0 lb
 4194 lb
 394 lb
 0 lb
 0 lb
 0 lb

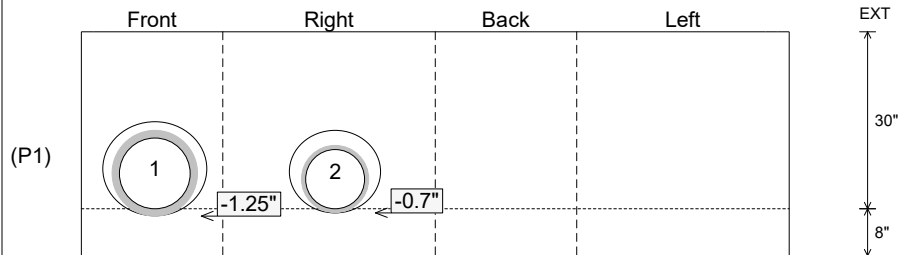
Structure Total: 4588 lb



Position	Elev	Angle	Pipe	Pipe OD	Hole	Connector	Up (")	Ref
Rim	550.44'							
Reducer								
Invert 1	547.25'	335°	12" HDPE	14.5"	16"	Hole 16	-1.25"	P1
Invert 2	547.25'	65°	10" HDPE	11.4"	14"	Hole 14	-0.7"	P1
Invert 3								
Invert 4								
Invert 5								
Invert 6								
Invert 7								
Invert 8								



Cast (Int. Dim.) - Interior Dimensions



Submittal Drawing
 10/24/2025 6:36:06 AM

SUBMITTAL
 APPROVED BY: