

**Job Name: 25-2649 - The Laurel Assisted Living Facility**  
**Job Location: Bowling Green, KY**  
**Contractor: Infinity Pipeline, Inc.**

PC: E. Bradley  
 TECH: K. Cardwell  
 Plant: Beaver Dam, KY



Structure ID: **LS-17**

Spec: Storm  
 Type: BX 6inW, 6inF  
 Size: 18" x 18"

Rim: 550.85'  
 Invert: 547.44'  
 Rim to Invert: 3.41'

Sump: 0"  
 Floor (Top): 547.44'  
 Floor Height: 6"

Floor (Bot): 546.94'  
 Overall Height: 3.75'  
 Slack: 1.92"

**Structure Notes:**

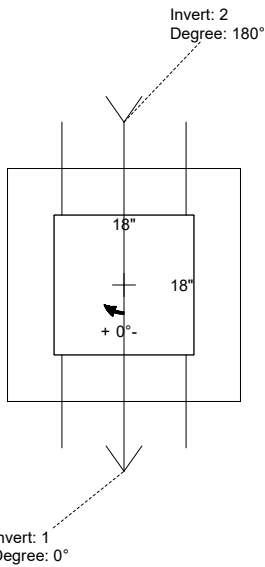
1. PER ASTM C-913 SPECS
2. CONCRETE: 4,500 PSI AT 28 DAYS
3. REINFORCEMENT: #4 BAR @ 12" C.C. E.W. (GRADE 60)
4. HOE 165-A FRAME & GRATE SUPPLIED BY ICAST

**STRUCTURE SUMMARY:**

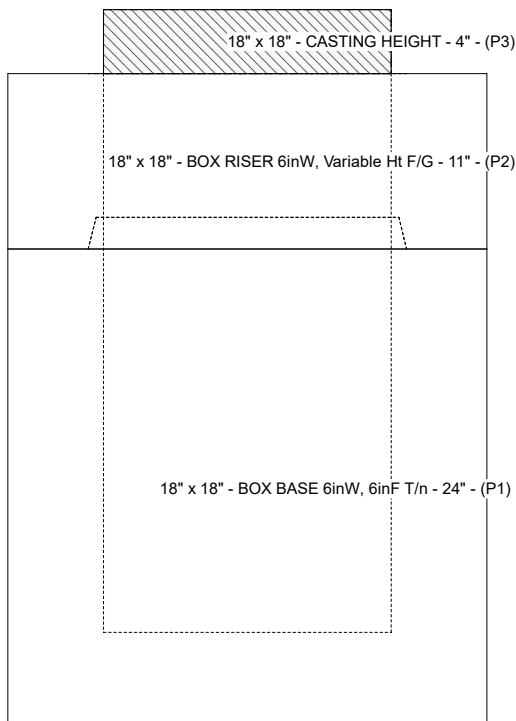
- P3) 18" x 18" - CASTING HEIGHT - 4"
  - P2) 18" x 18" - BOX RISER 6inW, Variable Ht F/G - 11"
  - P1) 18" x 18" - BOX BASE 6inW, 6inF T/n - 24"
- 1) CASTING - HOE 165A F/G
  - 2) 18" x 18" - Conseal CS-102 1.00"
  - 2) Hole - 16

0 lb  
 532 lb  
 1411 lb  
 138 lb  
 0 lb  
 0 lb

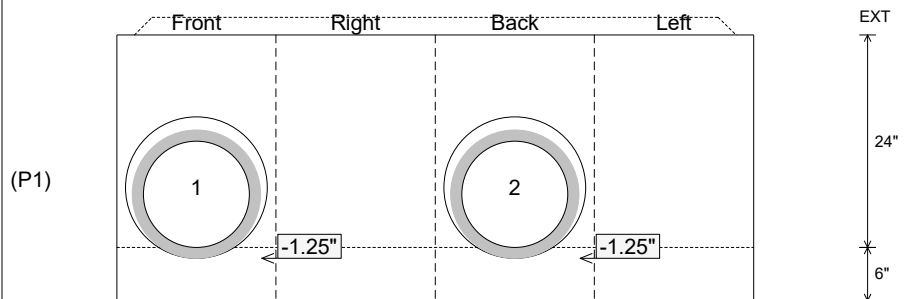
Structure Total: 2080 lb



Position	Elev	Angle	Pipe	Pipe OD	Hole	Connector	Up (")	Ref
Rim	550.85'							
Reducer								
Invert 1	547.44'	0°	12" HDPE	14.5"	16"	Hole 16	-1.25"	P1
Invert 2	547.44'	180°	12" HDPE	14.5"	16"	Hole 16	-1.25"	P1
Invert 3								
Invert 4								
Invert 5								
Invert 6								
Invert 7								
Invert 8								



**Cast (Int. Dim.) - Interior Dimensions**



Submittal Drawing  
 10/24/2025 6:36:06 AM

SUBMITTAL  
 APPROVED BY: