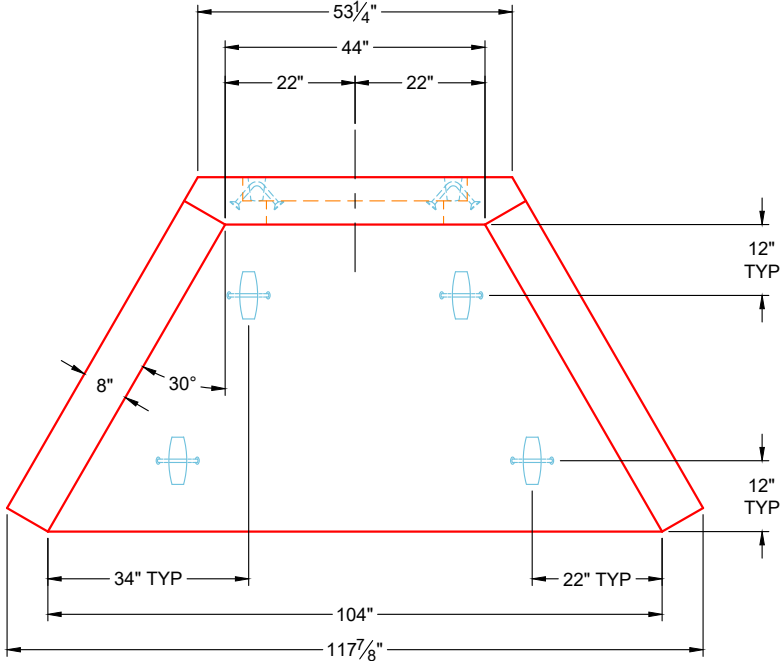
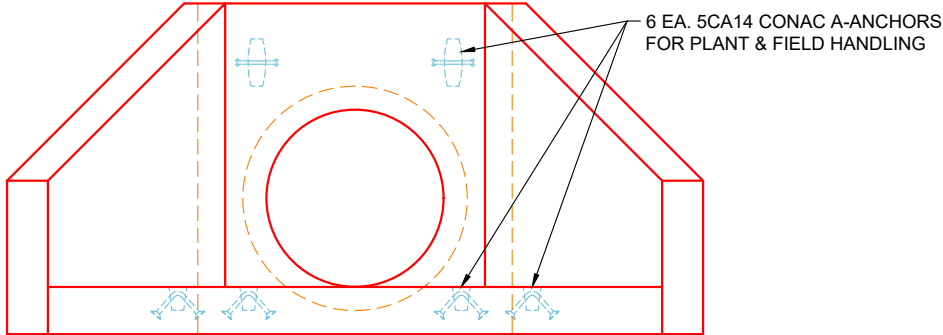


GENERAL NOTES:

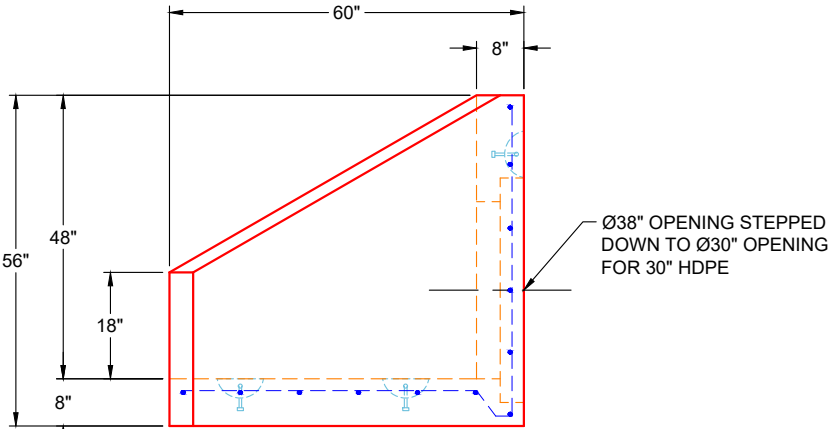
1. CONCRETE: 4,500 PSI AT 28 DAYS
2. REINFORCING: #5 BAR @ 12" C.C. E.W. (GRADE 60) - 2" MIN. REBAR CLEARANCE (TYP)
3. 3/4" CHAMBER ON ALL EXPOSED EDGES
4. WEIGHT: 7,275 LBS




PLAN VIEW



FRONT VIEW



SIDE VIEW

PRODUCTION WORK ORDER		PRODUCT I.D.: HWPC30F	DESCRIPTION: 30" PIPE CULVERT HW W/ FLAT BOTTOM		
	QUALITY CONTROL CHECKLIST	PRODUCT VIEW: RIGHT SIDE UP	CUSTOMER: INFINITY PIPELINE, INC.		
	<input type="checkbox"/> ALL DIMENSIONS CORRECT. <input type="checkbox"/> LIFTERS INSTALLED. <input type="checkbox"/> OPENING CENTERED. <input type="checkbox"/> REINFORCING CORRECT. <input type="checkbox"/> SURFACE QUALITY ACCEPTABLE. <input type="checkbox"/> EDGES CHAMFERED. <input type="checkbox"/> ALL PATCHWORK ACCEPTABLE.	PLANT: BEAVER DAM, KY	PROJECT: THE LAUREL ASSISTED LIVING FACILITY		
		WEIGHT: 7,275 LBS	STRUCTURE: LR-5		
		TOP SECTION JOINT: N / A	ORDER NO: 25-2649		
		BASE SECTION JOINT: N / A	PE: J.H. ROSS	DRAWING: K. CARDWELL	
		QC CHECK INITIALS:	DATE: 11/04/25	SCALE: NTS	PG. 1 OF 1

THIS DRAWING IS THE PROPERTY OF INFRASTRUCTURE PRECAST, INC. ANY USE OR DUPLICATION OF THIS DRAWING WITHOUT PRIOR AUTHORIZATION IS STRICTLY PROHIBITED.