

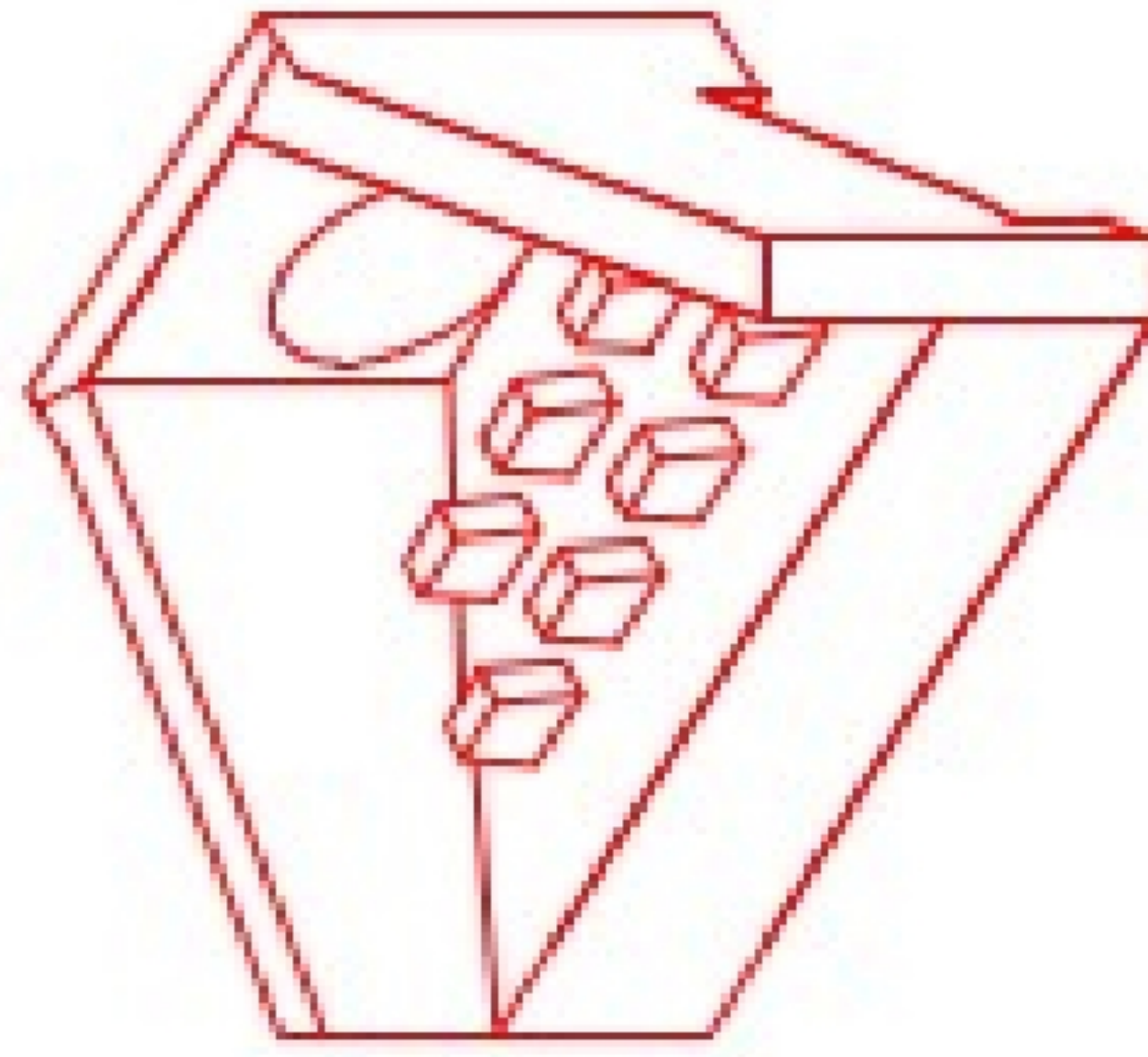


Structure ID: W0

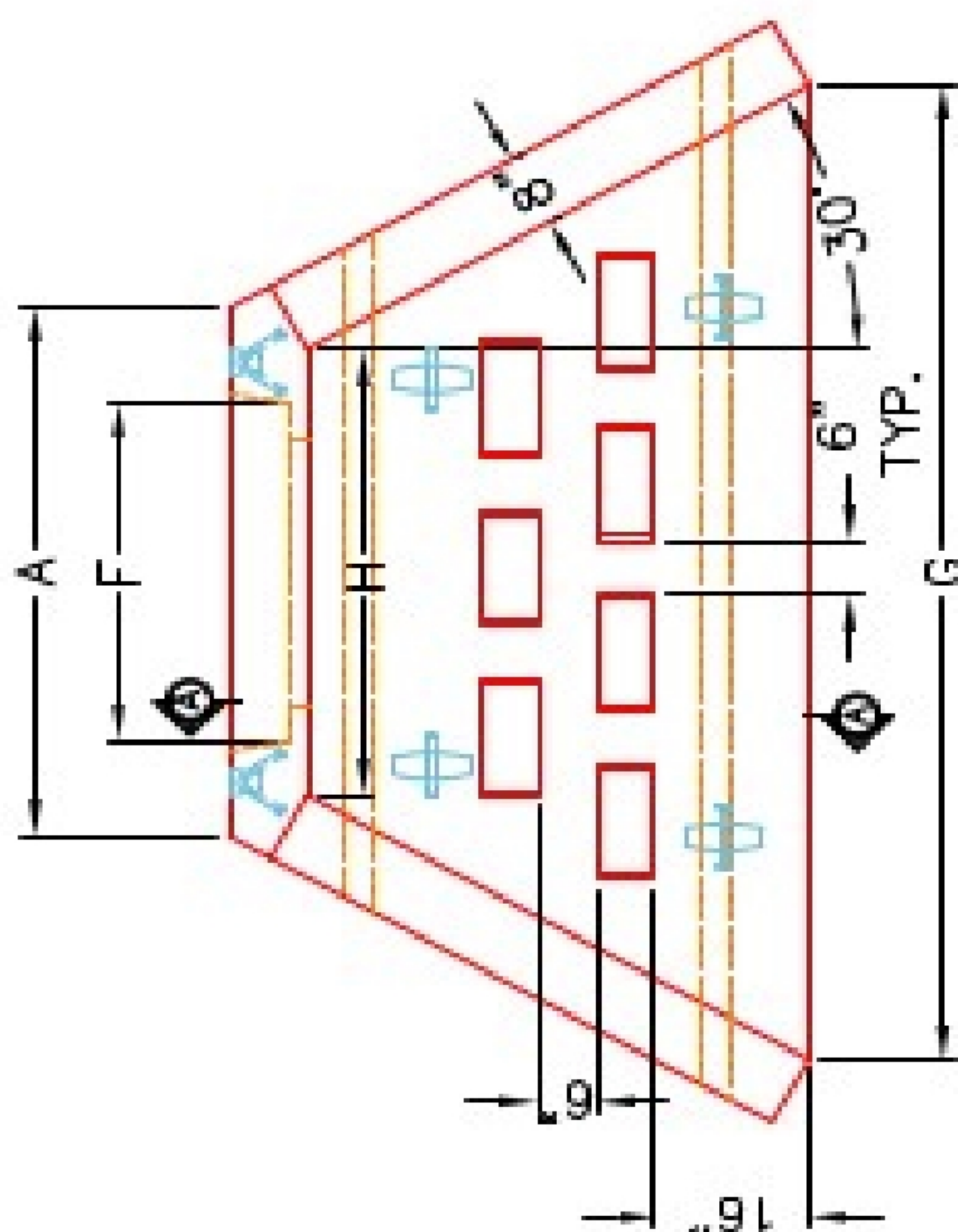
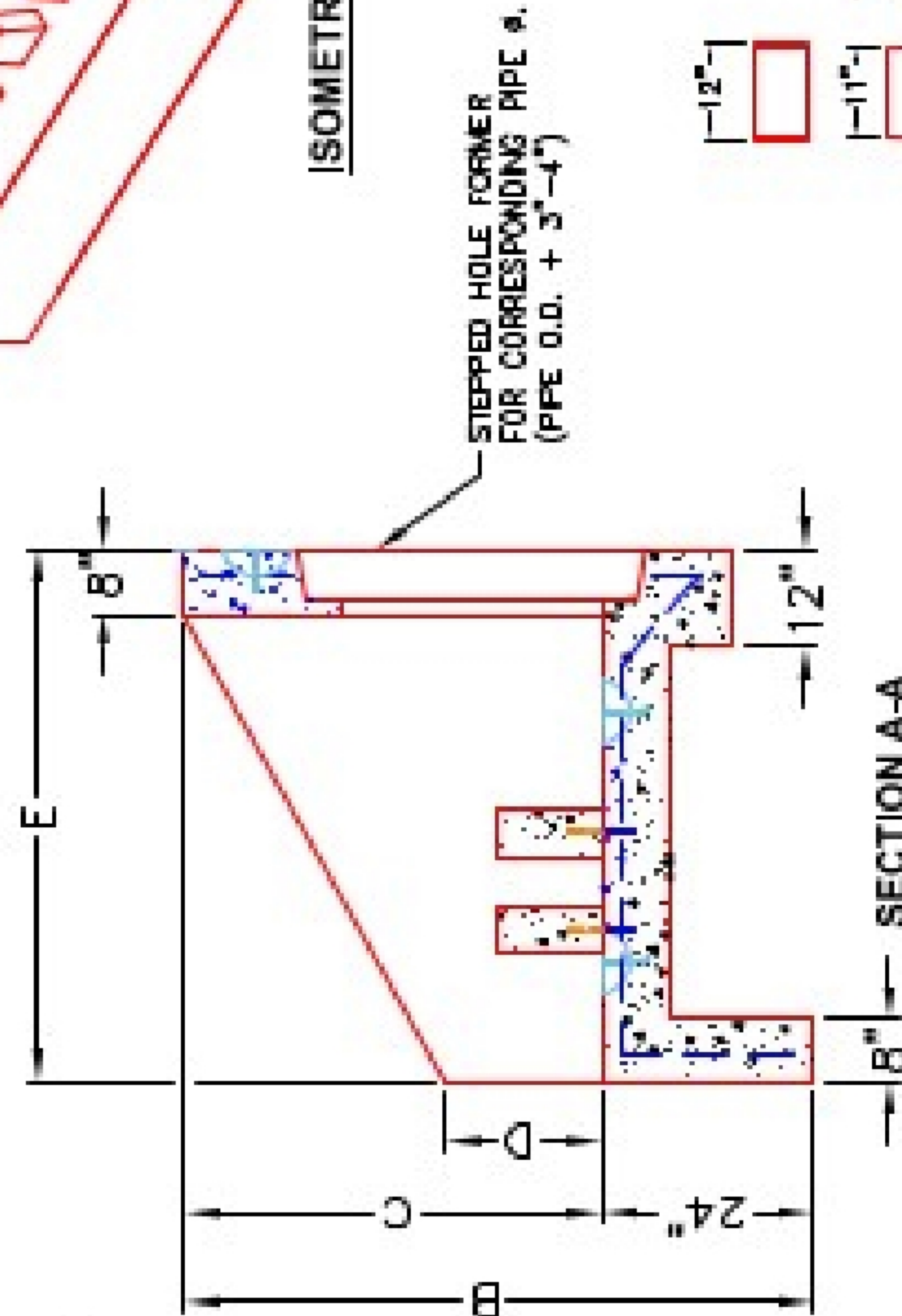
P1 HWPC30D

30" - PIPE CULVERT HEADWALL w/DISS F/F

DIMENSIONS									
PIPE Ø	A	B	C	D	E	F	G	H	WEIGHT
30"	1'-4"	6'-4"	1'-4"	1'-4"	5'-4"	1'-6"	1'-8"	3'-4"	4,820 lbs.
36"	1'-4"	6'-4"	1'-4"	1'-4"	5'-4"	1'-6"	1'-8"	3'-4"	4,820 lbs.
42"	6'-4"	6'-7"	5'-5"	2'-4"	6'-2"	1'-6"	11'-8"	6'-4"	13,233 lbs.
48"	6'-4"	6'-7"	5'-5"	2'-4"	6'-2"	1'-6"	11'-8"	6'-4"	13,233 lbs.
54"	7'-4"	7'-4"	6'-4"	2'-4"	7'-4"	1'-6"	15'-8"	6'-4"	18,422 lbs.
60"	7'-4"	7'-4"	6'-4"	2'-4"	7'-4"	1'-6"	15'-8"	6'-4"	18,422 lbs.

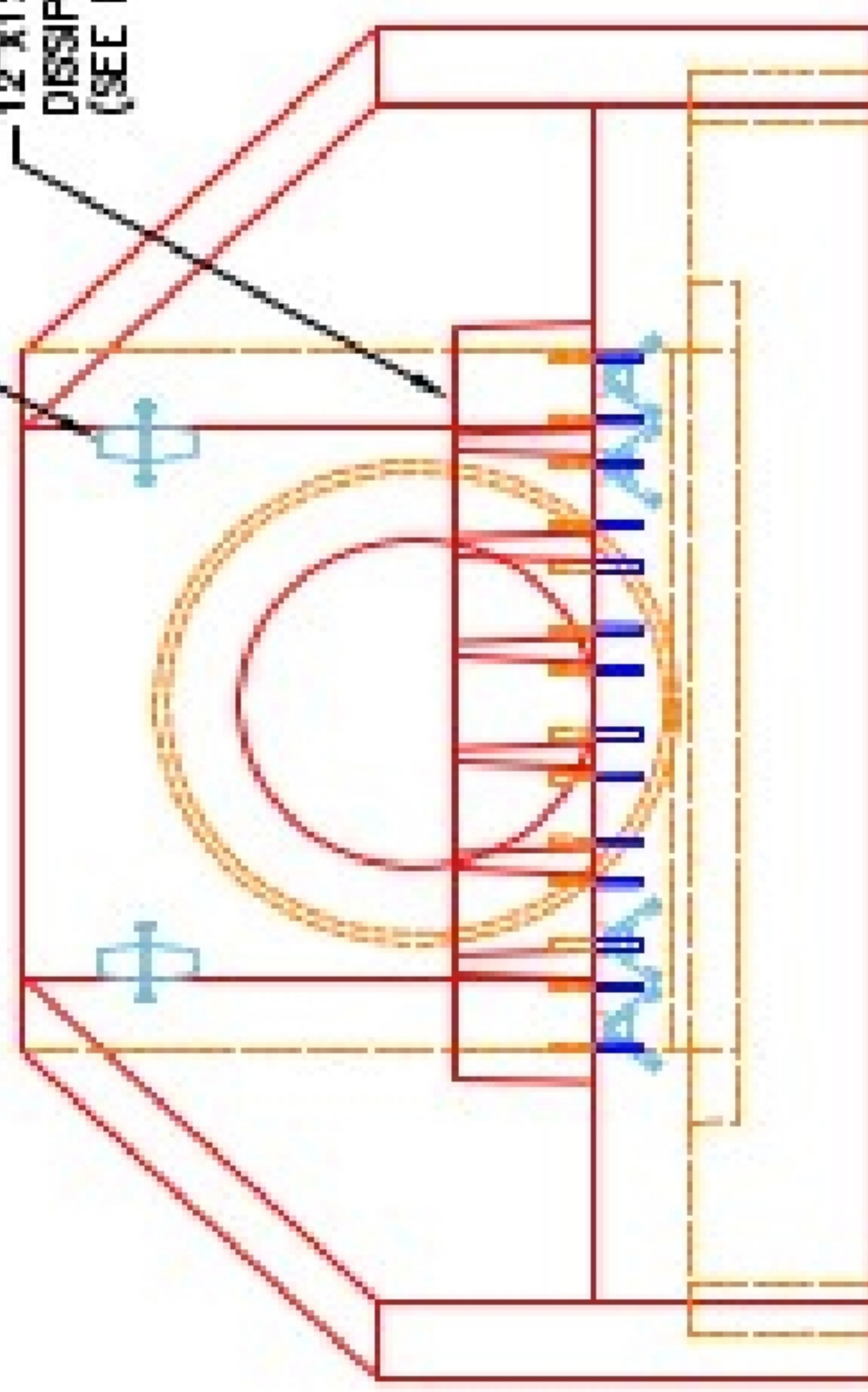


ISOMETRIC VIEW



"A"-ANCHOR LIFTING SYSTEM FOR PLANT & FIELD HANDLING.

12"x12"x6" ENERGY DISSIPATOR BLOCKS (SEE DETAIL).



NOTES:

1. CONCRETE: KYTC APPROVED.
2. REINFORCING: #5 BAR @ 12" C/C E.W.-GRADE 60, (WITH 2" CONCRETE COVER MINIMUM)
3. REINFORCING BARS TO BE TACK WELDED OR TIED.
4. PIPE AND LIFTING ANCHOR POCKETS TO BE GROUTED WITH KYTC APPROVED NON-SHRINK GROUT.
5. DRAWING TO BE USED IN CONJUNCTION WITH KYTC STD. DRAWING RDH-110-02, RDH-210-03 AND THE STANDARD SPECIFICATIONS FOR ROAD AND BRIDGE CONSTRUCTION.
6. 3/4" CHAMFER ON ALL EXPOSED EDGES.
7. PREFORMED STEPPED HOLE SIZED AS PER O.D. OF PIPE + 3" - 4".
8. QUANTITY & SPACING OF DISSIPATOR BLOCKS MAY VARY PER PIPE SIZE.



INFRASTRUCTURE PRECAST, INC.
 601 WEST 7TH ST., BEAVER DAM, KY. 42020
 PHONE: (270) 363-2288, FAX: (270) 288-7424

KYTC 30"-60" PIPE CULVERT HEADWALL WITH ENERGY DISSIPATORS

DRAWING NO.: KYTC PC-HW DATE: 06-01-22
 REVISION BY: J.H. ROSS, PE DRAWN BY: N. RICHARDS
 WEB: WWW.IPCASTING.COM SCALE: NTS